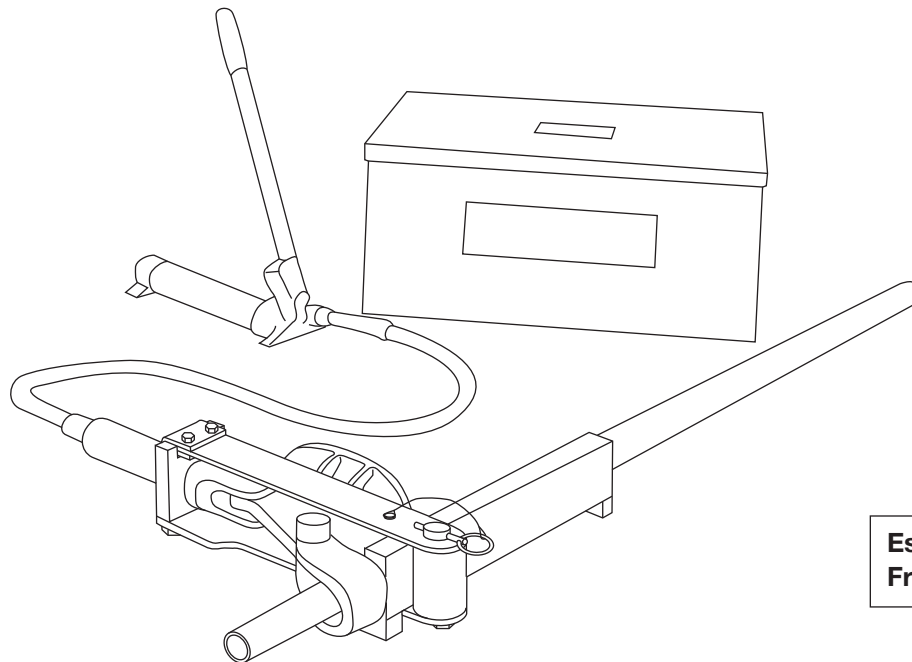


INSTRUCTION MANUAL



Español..... 15
Français..... 29

882 and 882CB Hydraulic Benders for 1-1/4", 1-1/2", and 2" Conduit

Serial Numbers FT 16000 and up



Read and understand all of the instructions and safety information in this manual before operating or servicing this tool.

Register this product at www.greenlee.com

Table of Contents

Description	2
Safety	2
Purpose of this Manual	2
Important Safety Information	3
Identification	4
Setup	5
Operating Instructions	6
Glossary of Bending Terms	7
Laying Out Bends	8-10
Special Bending Information Chart	11-13
Illustration—882 Series Hydraulic Benders	43
Parts List—882 Series Hydraulic Benders	44
Shoe Groups	45
Attachment Groups	46
Illustration and Parts List—Conversion Kit	47

Description

The 882 Conduit Bender is intended to bend EMT (electrical metallic tubing). The 882CB Conduit Bender is intended to bend EMT, IMC (intermediate metallic conduit), GRC (galvanized rigid conduit), and Schedule 40 Pipe. Bending shoes are available to accommodate 1-1/4" through 2" conduit and pipe.

The bender is to be coupled to any Greenlee hydraulic pump capable of developing 10,000 psi (689.5 bar). Suggested models include:

Hand Pump:	755
Electric Pump (120 V):	960 SAPS 975
Electric Pump (220 V):	976-22FS 976-22PS

Safety

Safety is essential in the use and maintenance of Greenlee tools and equipment. This instruction manual and any markings on the tool provide information for avoiding hazards and unsafe practices related to the use of this tool. Observe all of the safety information provided.

Purpose of this Manual

This manual is intended to familiarize all personnel with the safe operation and maintenance procedures for the following Greenlee tools:

882 and 882CB Hydraulic Benders

Keep this manual available to all personnel.

Replacement manuals are available upon request at no charge at www.greenlee.com.

All specifications are nominal and may change as design improvements occur. Greenlee Textron Inc. shall not be liable for damages resulting from misapplication or misuse of its products.

KEEP THIS MANUAL

IMPORTANT SAFETY INFORMATION



SAFETY ALERT SYMBOL

This symbol is used to call your attention to hazards or unsafe practices which could result in an injury or property damage. The signal word, defined below, indicates the severity of the hazard. The message after the signal word provides information for preventing or avoiding the hazard.

⚠ **DANGER**

Immediate hazards which, if not avoided, **WILL** result in severe injury or death.

⚠ **WARNING**

Hazards which, if not avoided, **COULD** result in severe injury or death.

⚠ **CAUTION**

Hazards or unsafe practices which, if not avoided, **MAY** result in injury or property damage.



⚠ **WARNING**

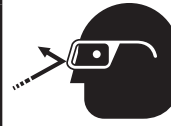
Read and understand all of the instructions and safety information in this manual before operating or servicing this tool.

Failure to observe this warning could result in severe injury or death.



⚠ **WARNING**

Pinch points:
Keep hands away from bending shoe, follow bar, saddle, and conduit when bender is in use.



⚠ **WARNING**

Wear eye protection when operating this tool.

Failure to wear eye protection could result in serious eye injury from flying debris and hydraulic oil.

⚠ **WARNING**

- Do not stand in direct line with the hydraulic ram. A component failure could propel parts with sufficient force to cause severe injury or death.
- Do not operate while wearing loose clothing. Loose clothing could get caught in moving parts.

Failure to observe these warnings could result in severe injury or death.

⚠ **CAUTION**

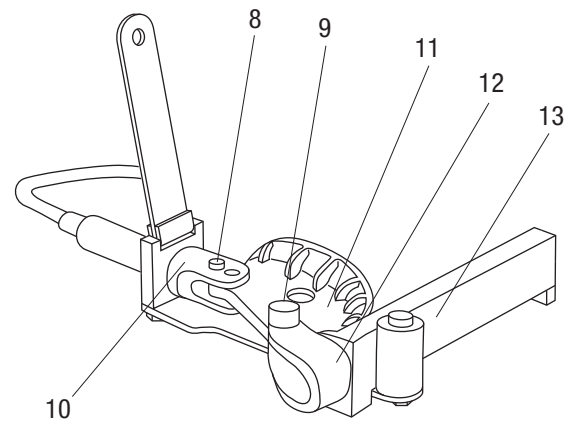
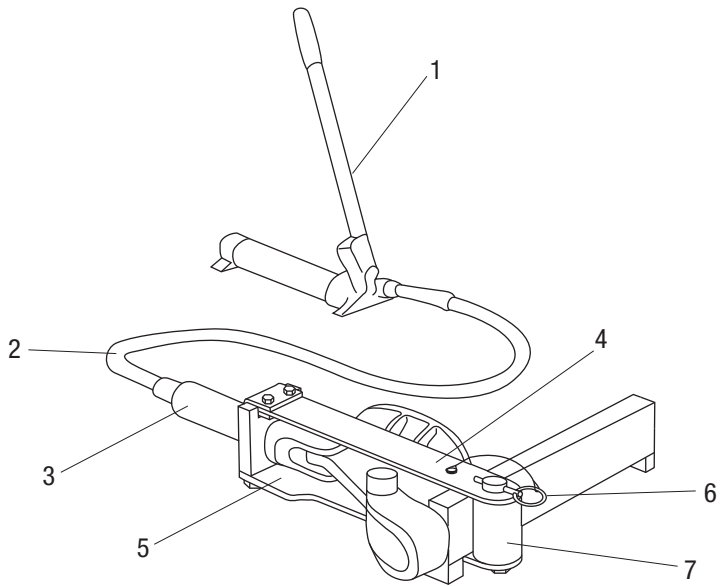
- Conduit moves rapidly as it is bent. The path of the conduit must be clear of obstructions. Be sure clearance is adequate before starting the bend.
- Inspect the bender, pump, and hose before each use. Replace damaged, worn or missing parts with Greenlee replacement parts. A damaged or improperly assembled component could break and strike nearby personnel.
- Some of the bender parts and accessories are heavy and may require more than one person to lift and assemble. Improper lifting can result in back injury.

Failure to observe these precautions may result in injury or property damage.

IMPORTANT

Make sure all hose fittings are properly seated before starting the bend. Incomplete connections may not allow the ram to retract after the bend is complete.

Note: Keep all decals clean and legible, and replace when necessary.

Identification


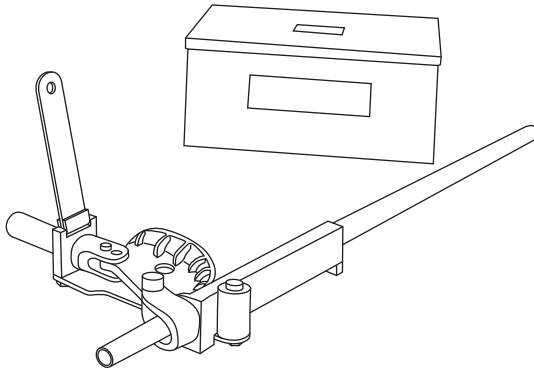
- 1. Hydraulic Pump
- 2. Hose Unit, 3/8" x 6 ft, High-Pressure
- 3. 12-ton Hydraulic Ram
- 4. Upper Connecting Plate
- 5. Lower Connecting Plate
- 6. Hitch Pin
- 7. Roller Unit

- 8. Yoke Pin
- 9. Saddle Pin
- 10. Yoke
- 11. Shoe
- 12. Saddle
- 13. Follow Bar

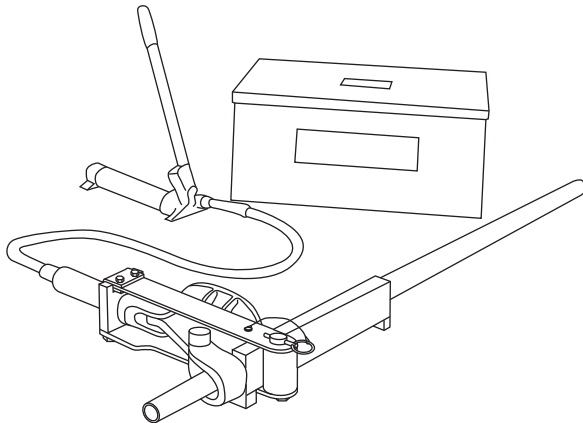
Setup

Note: Shoes, follow bars, and saddles marked "EMT" are for EMT conduit only. Parts marked "Rigid/IMC" are for rigid and IMC conduit, and Schedule 40 pipe.

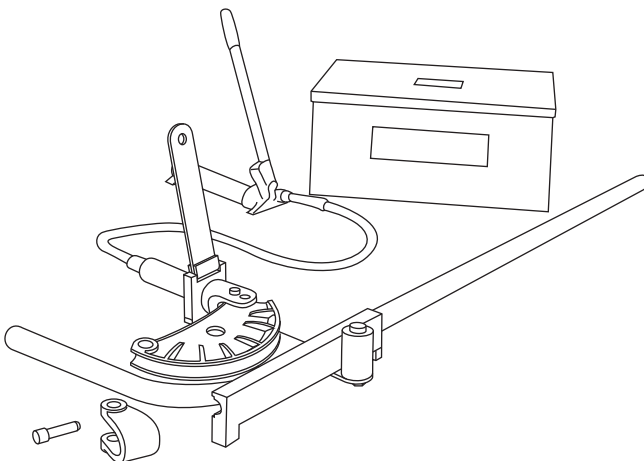
Loading Conduit



Ready to Bend



Completed Bend



1. Mark the conduit. See the instructions under "Laying Out Bends" in this manual.
2. Select the bending shoe, follow bar, and saddle that correspond to the size and type of conduit.
3. Remove the locking hitch pin from the roller unit. Lift the hinged upper connecting plate. Remove the yoke pin from the yoke.
4. Position the shoe, lettered side up, so that the 1" diameter hole is in the yoke slot. Align the 1" shoe hole with the yoke hole that is:
 - farthest from the ram when using the 1-1/4" and 1-1/2" shoe
 - closest to the ram when using the 2" shoe
5. Insert the yoke pin through the yoke and the shoe.
6. Place the follow bar, with legs down, over the lower connecting plate.
7. Place the conduit into the follow bar. Slip the saddle over the conduit and pin the saddle to the shoe with the saddle pin.
8. Lower the upper connecting plate over the roller pin and replace the locking hitch pin.
9. Align the bending mark on the conduit with the outside edge of the saddle. Be sure that the pins for the yoke and saddle are fully engaged.
10. Connect the high-pressure hydraulic hose to the ram and to the pump.

Note: Clean the quick-change couplers before making connections. Hand-tighten the couplers completely. Do not use tools.

IMPORTANT

Follow the instructions and safety information supplied with your hydraulic pump.

Operating Instructions

Bending

1. Loosen the ram travel scale nut; set the ram travel scale, which is read at the edge of the block, to zero. Tighten the nut. See the illustration under "Ram Travel Table for Common Bends."
2. Use the hydraulic pump and advance the ram until the shoe contacts the conduit and the conduit is seated in the follow bar. Check the placement of the conduit to be sure that the bending mark is aligned with the outside edge of the saddle.

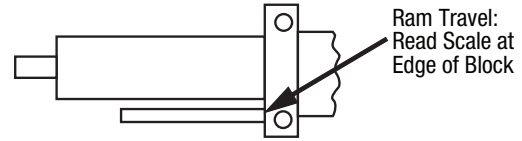
Note: For specific pump operating instructions, see the instruction manual supplied with the hydraulic pump.

3. Consult the "Ram Travel Table" to find the amount of ram travel necessary to accomplish the bend.
4. Use the hydraulic pump to advance the ram by the necessary amount of ram travel.
5. Release the hydraulic pressure at the pump and move the conduit to the next bending position.

Note: If making an offset bend, rotate the conduit 180° before making the second bend. If making a three-bend saddle, rotate the conduit 180° before making the second and third bends; the second bend angle is twice the number of degrees and requires more ram travel than the first and third bends. If making a 4-bend saddle, rotate the conduit before making the second and fourth bends.

6. Repeat steps 2–5 until the last bend is made.
7. Release the hydraulic pressure at the pump. Remove the locking hitch pin to release the upper connecting plate. Lift the plate clear of the shoe, follow bar, and saddle.
8. Remove the conduit from the bender.

Ram Travel Table for Common Bends

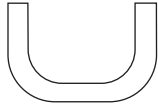


Ram Travel (approximate)			
Angle of Bend	FOR IMC/RIGID CONDUIT		
	1-1/4"	1-1/2"	2"
5°	2-1/8"	7/8"	13/16"
10°	2-3/8"	1-1/16"	1-1/16"
15°	2-5/8"	1-3/8"	1-7/16"
30°	3-5/16"	2-1/16"	2-1/2"
45°	4-1/8"	2-7/8"	3-9/16"
60°	4-15/16"	3-11/16"	4-5/8"
90°	6-1/4"	5-13/16"	6-11/16"
Angle of Bend	FOR EMT CONDUIT		
	1-1/4"	1-1/2"	2"
5°	2-1/16"	7/8"	1-3/8"
10°	2-1/4"	1-1/8"	1-5/8"
15°	2-7/16"	1-5/16"	1-7/8"
30°	3-1/8"	2-1/16"	2-5/8"
45°	3-7/8"	2-7/8"	3-3/8"
60°	4-5/8"	3-11/16"	4-3/16"
90°	6-3/16"	5-3/8"	5-1/2"

Note: Consult the table that corresponds to the type of conduit to be bent. Find the degree of bend in the left most column and find the size of conduit to the right. The number shown on the table is the amount of ram travel needed.

Glossary of Bending Terms with Illustrations

1. **amount of offset** — the distance that the conduit or pipe must be re-routed to avoid an obstruction; see *offset* in this glossary and “Offset” bending instructions in this manual

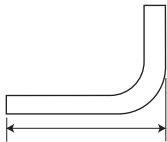


2. **back-to-back bend** — any U-shaped bend formed by two parallel 90° bends with a straight section of conduit or pipe between the bends

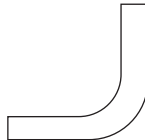
3. **center-to-center distance** — the distance between the successive bends that make up an offset or a three-bend saddle

4. **depth of offset** — same as *amount of offset*

5. **height of offset** — same as *amount of offset*

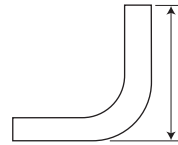


6. **leg length** — the distance from the end of a horizontal section of conduit or pipe to the bend; measured from the end to the center line, inside edge, or outside edge of the conduit or pipe



7. **90° bend** — any bend that changes the direction of the conduit or pipe by 90 degrees

8. **O.D.** — the size of any piece of conduit or pipe as measured by its outside diameter



9. **offset bend** — two bends with the same degree of bend; used to avoid an obstruction blocking the run of the conduit or pipe

10. **ram travel** — the distance that the ram of hydraulic bender moves to accomplish a particular bend; inches of ram travel are proportionate to degrees of bend

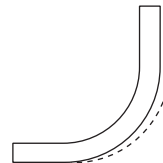
11. **rise** — the distance from the end of a vertical section of conduit or pipe to the bend; measured from the end to the center line, inside edge, or outside edge of the conduit or pipe

12. **shrink** — the amount of conduit “lost” when laying out an offset bend working toward an obstruction; see the detailed explanation under “Offset” bending in this manual

13. **springback** — the amount, measured in degrees, that a conduit or pipe tends to straighten after being bent

14. **stub** — same as *rise*

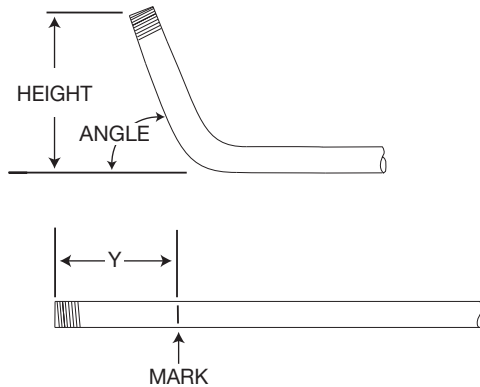
15. **stub-up** — same as *rise*



Laying Out Bends

The following drawings and bending charts are intended to provide the information necessary to accomplish the most common types of bends. The “Special Bending Information Chart” contains information for the most commonly needed bending dimensions.

Stubs



1. Select the size and type of conduit to be bent. Determine the height of stub and the angle of bend.
2. Find the chart that corresponds to the type and size of conduit selected in Step 1.
3. Under the column labeled ANGLE, find the angle of bend.
4. Find the row labeled Y. In the row at the top of the page, find the height (H) of the stub. The number shown at this intersection is the dimension Y. Place the bending mark Y inches from the end of the conduit.
5. See the bending instructions.

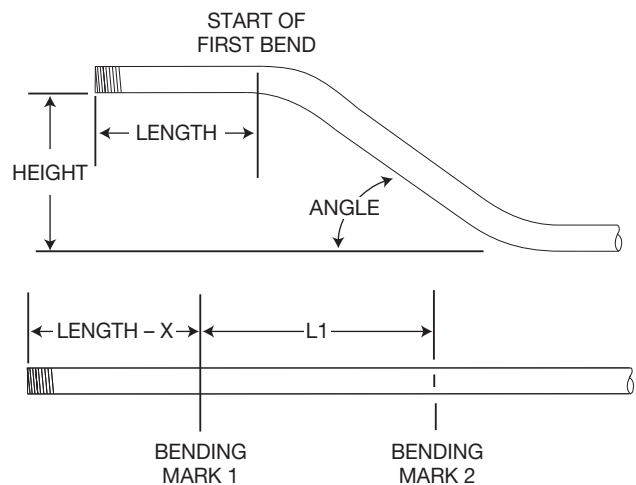
Offset

An offset is used to route the conduit around an obstruction. To make an offset, two equal bends are required. The distance between the two bends is the center-to-center distance. This is represented by L1 in the bending tables.

When working past an obstruction, it is necessary to determine the location of the first bend. The center-to-center distance is then used to find the location of the second bend.

When working toward an obstruction, it is necessary to determine the location of the second bend. The center-to-center distance is then used to find the location of the first bend.

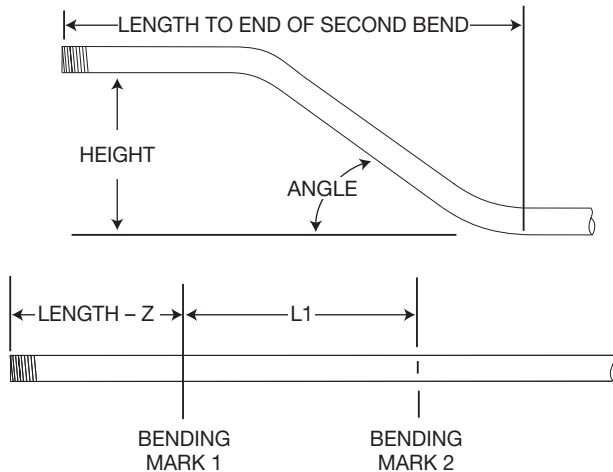
Offsets: Working Past an Obstruction



1. Select the size and type of conduit to be bent. Measure the height of the obstruction and the distance labeled LENGTH. Select the angle to be used.
2. Find the chart that corresponds to the type and size of conduit selected in Step 1.
3. To the right of the size and type of conduit, find the dimension labeled X. Subtract X from LENGTH. Place the first bending mark (Bending Mark 1) this distance from the end of the conduit.
4. Under the column labeled ANGLE, find the angle of bend. Find the row labeled L1. In the row at the top of the page, find the height (H) of the offset. The number at this intersection is the dimension L1. Place the second bending mark (Bending Mark 2) L1 inches from the first bending mark.
5. See the bending instructions.

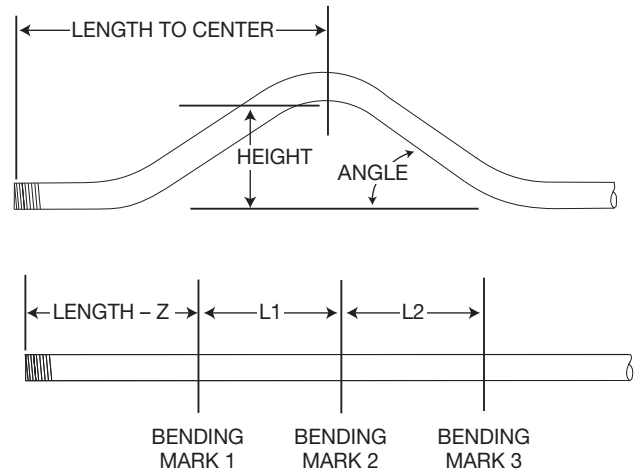
Laying Out Bends (cont'd)

Offsets: Working Toward an Obstruction



1. Select the size and type of conduit to be bent. Measure the height of the obstruction and the distance labeled LENGTH TO END OF SECOND BEND. Select the angle to be used.
2. Find the chart that corresponds to the type and size of conduit selected in Step 1.
3. Under the column labeled ANGLE, find the angle of bend. Find the row labeled Z. In the row at the top of the page, find the height (H) of the offset. The number shown at this intersection is the dimension Z. Subtract Z from LENGTH TO THE END OF SECOND BEND. Place the first bending mark this distance from the end of the conduit.
4. In the same column, find the row labeled L1. Place the second bending mark L1 inches from the first bending mark.
5. See the bending instructions.

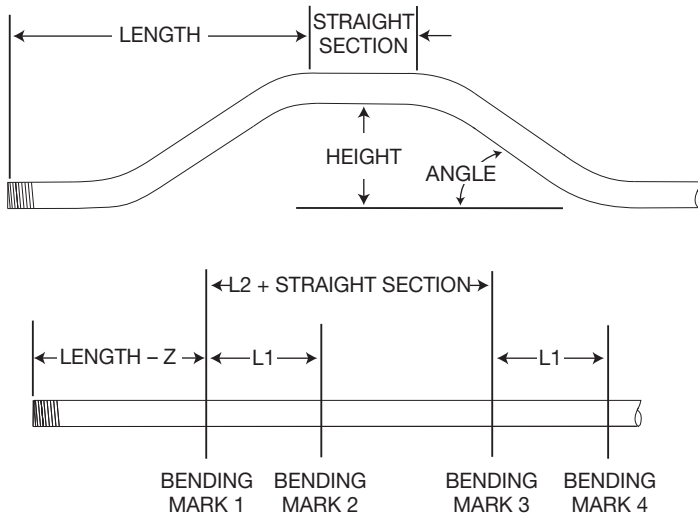
Three-Bend Saddle



1. Select the size and type of conduit to be bent. Measure the height of the obstruction and the distance from the end of the conduit to the center (LENGTH TO CENTER) of the bend. Select the angle to be used.
Note: The second bend angle will be twice the number of degrees as the first and third bends.
2. Find the chart that corresponds to the type and size of conduit selected in Step 1.
3. Under the column labeled ANGLE, find the angle of bend needed. Find the row labeled Z. In the row at the top of the page, find the height (H) of the offset. The number shown at this intersection is Z. Subtract Z from the LENGTH TO CENTER. Place the first bending mark this distance from the end of the conduit.
4. In the same column, find the row labeled L1. Place the second bending mark L1 inches from the first bending mark.
5. In the same column, find the row labeled L2. Place the third bending mark L2 inches from the second bending mark.
6. See the bending instructions.

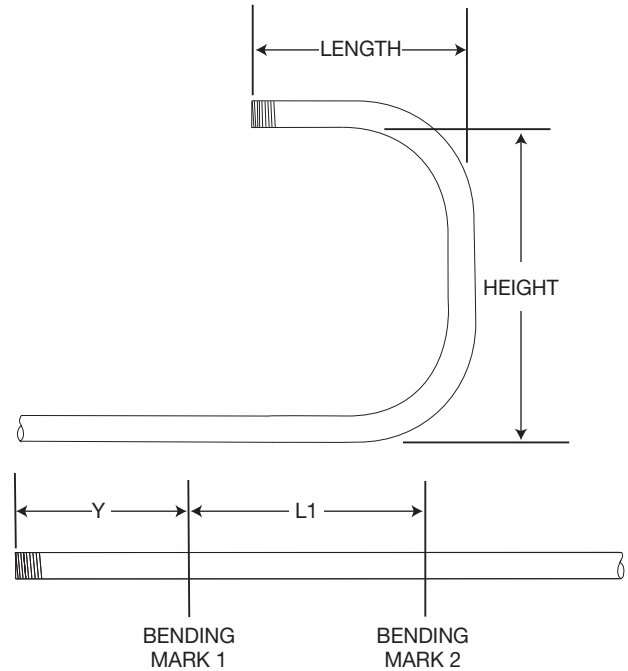
Laying Out Bends (cont'd)

Four-Bend Saddle



1. Select the size and type of conduit to be bent. Measure the height of the obstruction, the distance labeled LENGTH, and the distance labeled STRAIGHT SECTION. Select the angle to be used.
2. Find the chart that corresponds to the type and size of conduit selected in Step 1.
3. Under the column labeled ANGLE, find the angle of bend needed. Find the row labeled Z. In the row at the top of the page, find the height (H) of the offset. The number shown at this intersection is Z. Subtract Z from the LENGTH. Place the first bending mark this distance from the end of the conduit.
4. In the same column, find the row labeled L1. Place the second bending mark L1 inches from the first bending mark.
5. In the same column, find the row labeled L2. Add L2 to the STRAIGHT SECTION. Place the third bending mark this distance from the first bending mark.
6. Make the final bending mark L1 inches from the third bending mark.
7. See the bending instructions.

U-Bends



1. Select the size and type of conduit to be bent. Determine the LENGTH and the HEIGHT.
2. Find the chart that corresponds to the type and size of conduit selected in Step 1.
3. Under the column labeled ANGLE, find 90°.
4. Find the row labeled Y. In the row at the top of the page, find the height (H) that corresponds to the LENGTH. The number shown at this intersection is the dimension Y. Place the bending mark Y inches from the end of the conduit.
5. Find the row labeled L1, and go to the right to find the height (H) that corresponds to the HEIGHT. The number shown at this intersection is the dimension L1. Place the second bending mark L1 inches from the first mark.
6. See the bending instructions.

Special Bending Information Chart

		DIM	ANGLE	HEIGHT (H)									
				2"	4"	6"	8"	10"	12"	15"	18"	24"	36"
1-1/4 EMT		Dia. = 1.51		Radius = 7.43			X = 3.42						
	Y	15.00		0.41	8.14	15.87	23.59	31.32	39.05	50.64	62.23	85.41	131.78
	L1	15.00		7.72	15.44	23.17	30.90	38.63	46.35	57.94	69.54	92.72	139.08
	L2	15.00		9.66	17.39	25.12	32.84	40.57	48.30	59.89	71.48	94.66	141.03
	Z	15.00		12.84	20.30	27.77	35.23	42.70	50.16	61.36	72.55	94.95	139.73
MINIMUM H=1.39													
	Y	22.50			3.58	8.81	14.03	19.26	24.49	32.33	40.17	55.84	87.20
	L1	22.50			10.41	15.64	20.87	26.09	31.32	39.16	47.00	62.68	94.03
	L2	22.50			13.33	18.56	23.78	29.01	34.24	42.08	49.92	65.59	96.95
	Z	22.50			16.03	20.86	25.69	30.52	35.35	42.59	49.83	64.32	93.29
MINIMUM H=2.44													
	Y	30.00			1.08	5.08	9.08	13.08	17.08	23.08	29.08	41.08	65.08
	L1	30.00			7.91	11.91	15.91	19.91	23.91	29.91	35.91	47.91	71.91
	L2	30.00			11.80	15.80	19.80	23.80	27.80	33.80	39.80	51.80	75.80
	Z	30.00			14.33	17.79	21.26	24.72	28.19	33.38	38.58	48.97	69.76
MINIMUM H=3.70													
	Y	45.00				0.92	3.75	6.58	9.41	13.65	17.89	26.38	43.35
	L1	45.00					10.99	13.82	16.65	20.89	25.14	33.62	50.59
	L2	45.00					16.83	19.66	22.49	26.73	30.97	39.46	56.43
	Z	45.00					17.58	19.58	21.58	24.58	27.58	33.58	45.58
MINIMUM H=6.77													
	Y	60.00					0.66	2.97	5.27	8.74	12.20	19.13	32.99
	L1	60.00							13.06	16.52	19.99	26.91	40.77
	L2	60.00							20.84	24.30	27.77	34.69	48.55
	Z	60.00							18.93	20.66	22.39	25.86	32.78
MINIMUM H=10.39													
	Y	90.00							0.40	3.40	6.40	12.40	24.39
	L1	90.00										20.81	32.81
	L2	90.00										32.48	44.48
	Z	90.00										18.28	18.28
MINIMUM H=18.28													
1-1/2 EMT		Dia. = 1.74		Radius = 8.3			X = 3.82						
	Y	15.00			7.18	14.91	22.64	30.36	38.09	49.68	61.27	84.45	130.82
	L1	15.00		7.71	15.44	23.17	30.90	38.62	46.35	57.94	69.53	92.72	139.08
	L2	15.00		9.89	17.62	25.34	33.07	40.80	48.52	60.12	71.71	94.89	141.25
	Z	15.00		13.47	20.93	28.40	35.86	43.33	50.79	61.99	73.18	95.57	140.36
MINIMUM H=1.55													
	Y	22.50			2.71	7.93	13.16	18.39	23.61	31.45	39.29	54.97	86.33
	L1	22.50			10.41	15.64	20.86	26.09	31.31	39.15	46.99	62.67	94.03
	L2	22.50			13.67	18.90	24.12	29.35	34.57	42.41	50.25	65.93	97.29
	Z	22.50			16.78	21.61	26.44	31.26	36.09	43.34	50.58	65.06	94.03
MINIMUM H=2.73													
	Y	30.00			0.22	4.22	8.22	12.22	16.22	22.22	28.22	40.22	64.22
	L1	30.00				11.90	15.90	19.90	23.90	29.90	35.90	47.90	71.90
	L2	30.00				16.24	20.24	24.24	28.24	34.24	40.24	52.24	76.24
	Z	30.00				18.66	22.12	25.59	29.05	34.25	39.44	49.84	70.62
MINIMUM H=4.13													
	Y	45.00				0.00	2.83	5.65	8.48	12.72	16.97	25.45	42.42
	L1	45.00					10.96	13.78	16.61	20.86	25.10	33.58	50.55
	L2	45.00					17.48	20.30	23.13	27.37	31.62	40.10	57.07
	Z	45.00					18.70	20.70	22.70	25.70	28.70	34.70	46.70
MINIMUM H=7.56													
	Y	60.00						1.93	4.24	7.70	11.17	18.10	31.95
	L1	60.00							12.96	16.43	19.89	26.82	40.68
	L2	60.00							21.66	25.12	28.58	35.51	49.37
	Z	60.00							20.33	22.06	23.80	27.26	34.19
MINIMUM H=11.61													
	Y	90.00								2.01	5.01	11.01	23.01
	L1	90.00										20.44	32.44
	L2	90.00										33.48	45.48
	Z	90.00										20.42	20.42
MINIMUM H=20.42													

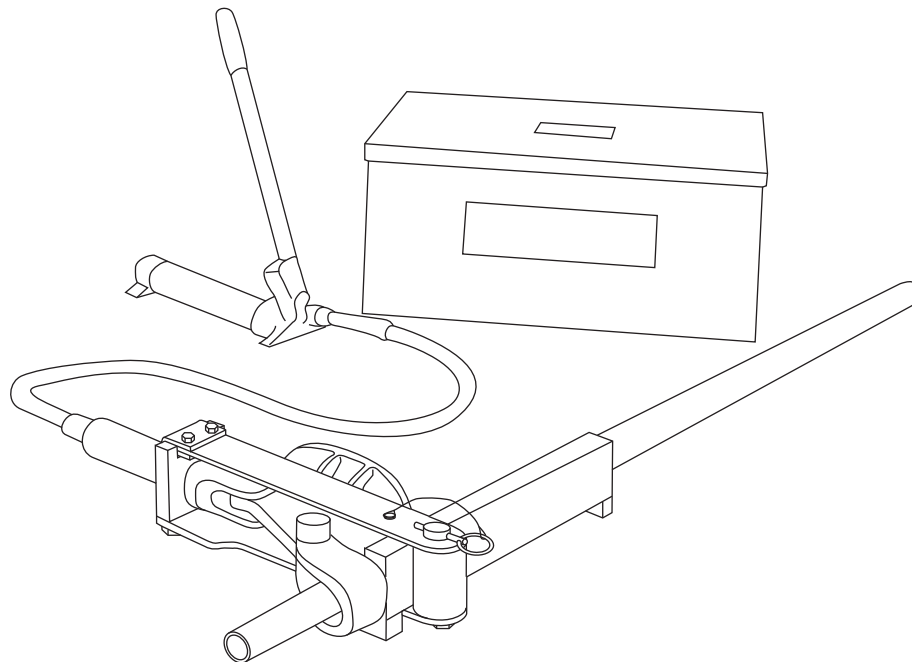
Special Bending Information Chart (cont'd)

DIM	ANGLE	HEIGHT (H)										
		2"	4"	6"	8"	10"	12"	15"	18"	24"	36"	
2 EMT		Dia. = 2.2		Radius = 9.59			X = 3.93					
Y	15.00		6.01	13.74	21.47	29.19	36.92	48.51	60.10	83.29	129.65	
L1	15.00	7.71	15.44	23.17	30.90	38.62	46.35	57.94	69.53	92.71	139.08	
L2	15.00	10.22	17.95	25.68	33.41	41.13	48.86	60.45	72.04	95.23	141.59	
Z	15.00	13.92	21.38	28.85	36.31	43.78	51.24	62.44	73.63	96.02	140.81	
MINIMUM H=1.67												
Y	22.50		1.74	6.97	12.19	17.42	22.65	30.48	38.32	54.00	85.36	
L1	22.50		10.40	15.63	20.86	26.08	31.31	39.15	46.99	62.67	94.02	
L2	22.50		14.17	19.40	24.62	29.85	35.07	42.91	50.75	66.43	97.79	
Z	22.50		17.40	22.23	27.06	31.89	36.72	43.96	51.20	65.69	94.66	
MINIMUM H=2.96												
Y	30.00			3.30	7.30	11.30	15.30	21.30	27.30	39.30	63.30	
L1	30.00			11.88	15.88	19.88	23.88	29.88	35.88	47.88	71.88	
L2	30.00			16.90	20.90	24.90	28.90	34.90	40.90	52.90	76.90	
Z	30.00			19.46	22.93	26.39	29.85	35.05	40.25	50.64	71.42	
MINIMUM H=4.53												
Y	45.00				1.86	4.68	7.51	11.76	16.00	24.48	41.45	
L1	45.00					13.73	16.56	20.80	25.04	33.53	50.50	
L2	45.00					21.26	24.09	28.33	32.58	41.06	58.03	
Z	45.00					21.87	23.87	26.87	29.87	35.87	47.87	
MINIMUM H=8.40												
Y	60.00					0.81	3.12	6.58	10.05	16.98	30.83	
L1	60.00							16.29	19.75	26.68	40.54	
L2	60.00							26.33	29.80	36.72	50.58	
Z	60.00							23.66	25.40	28.86	35.79	
MINIMUM H=12.99												
Y	90.00							0.38	3.38	9.38	21.38	
L1	90.00									19.88	31.88	
L2	90.00									34.95	46.95	
Z	90.00									23.11	23.11	
MINIMUM H= 23.11												
1-1/4 IMC/RIGID		Dia. = 1.66		Radius = 7.47			X = 3.95					
Y	15.00		7.31	15.04	22.77	30.50	38.22	49.82	61.41	84.59	130.95	
L1	15.00	7.72	15.44	23.17	30.90	38.63	46.35	57.94	69.54	92.72	139.08	
L2	15.00	9.67	17.40	25.13	32.85	40.58	48.31	59.90	71.49	94.67	141.04	
Z	15.00	13.38	20.85	28.31	35.77	43.24	50.70	61.90	73.09	95.49	140.27	
MINIMUM H=1.53												
Y	22.50		2.85	8.07	13.30	18.53	23.75	31.59	39.43	55.11	86.47	
L1	22.50		10.41	15.64	20.87	26.09	31.32	39.16	47.00	62.68	94.03	
L2	22.50		13.35	18.57	23.80	29.03	34.25	42.09	49.93	65.61	96.97	
Z	22.50		16.58	21.41	26.24	31.06	35.89	43.13	50.38	64.86	93.83	
MINIMUM H=2.65												
Y	30.00		0.39	4.39	8.39	12.39	16.39	22.39	28.39	40.39	64.39	
L1	30.00		7.91	11.91	15.91	19.91	23.91	29.91	35.91	47.91	71.91	
L2	30.00		11.82	15.82	19.82	23.82	27.82	33.82	39.82	51.82	75.82	
Z	30.00		14.88	18.35	21.81	25.27	28.74	33.93	39.13	49.52	70.31	
MINIMUM H=3.98												
Y	45.00			0.27	3.10	5.92	8.75	13.00	17.24	25.72	42.69	
L1	45.00				10.99	13.82	16.65	20.89	25.13	33.62	50.59	
L2	45.00				16.86	19.69	22.52	26.76	31.00	39.49	56.46	
Z	45.00				18.14	20.14	22.14	25.14	28.14	34.14	46.14	
MINIMUM H=7.17												
Y	60.00				0.02	2.33	4.64	8.10	11.56	18.49	32.35	
L1	60.00						13.05	16.52	19.98	26.91	40.77	
L2	60.00						20.88	24.34	27.80	34.73	48.59	
Z	60.00						19.50	21.24	22.97	26.43	33.36	
MINIMUM H=10.90												
Y	90.00							2.75	5.75	11.75	23.75	
L1	90.00									20.79	32.79	
L2	90.00									32.53	44.53	
Z	90.00									18.89	18.89	
MINIMUM H=18.89												

Special Bending Information Chart (cont'd)

		DIM	ANGLE	HEIGHT (H)									
				2"	4"	6"	8"	10"	12"	15"	18"	24"	36"
1-1/2 IMC/RIGID		Dia. = 1.9		Radius = 8.5			X = 4.05						
	Y	15.00			6.62	14.34	22.07	29.80	37.52	49.12	60.71	83.89	130.25
	L1	15.00	7.71	15.44	23.17	30.90	38.62	46.35	57.94	69.53	92.72	139.08	
	L2	15.00	9.94	17.67	25.39	33.12	40.85	48.58	60.17	71.76	94.94	141.31	
	Z	15.00	13.75	21.22	28.68	36.14	43.61	51.07	62.27	73.46	95.86	140.64	
MINIMUM H=1.63													
	Y	22.50		2.23	7.46	12.68	17.91	23.13	30.97	38.81	54.49	85.85	
	L1	22.50		10.41	15.64	20.86	26.09	31.31	39.15	46.99	62.67	94.03	
	L2	22.50		13.75	18.97	24.20	29.43	34.65	42.49	50.33	66.01	97.37	
	Z	22.50		17.09	21.92	26.75	31.57	36.40	43.64	50.89	65.37	94.34	
MINIMUM H=2.84													
	Y	30.00			3.77	7.77	11.77	15.77	21.77	27.77	39.77	63.77	
	L1	30.00			11.90	15.90	19.90	23.90	29.90	35.90	47.90	71.90	
	L2	30.00			16.35	20.35	24.35	28.35	34.35	40.35	52.35	76.35	
	Z	30.00			19.00	22.46	25.93	29.39	34.59	39.78	50.17	70.96	
MINIMUM H=4.30													
	Y	45.00				2.40	5.23	8.06	12.30	16.54	25.03	42.00	
	L1	45.00				10.95	13.78	16.60	20.85	25.09	33.58	50.55	
	L2	45.00				17.62	20.45	23.28	27.52	31.77	40.25	57.22	
	Z	45.00				19.09	21.09	23.09	26.09	29.09	35.09	47.09	
MINIMUM H=7.84													
	Y	60.00					1.49	3.80	7.27	10.73	17.66	31.51	
	L1	60.00						12.94	16.41	19.87	26.80	40.66	
	L2	60.00						21.84	25.31	28.77	35.70	49.56	
	Z	60.00						20.79	22.53	24.26	27.72	34.65	
MINIMUM H=12.01													
	Y	90.00							1.50	4.50	10.50	22.50	
	L1	90.00									20.35	32.35	
	L2	90.00									33.70	45.70	
	Z	90.00									21.05	21.05	
MINIMUM H=21.05													
2 IMC/RIGID		Dia. = 2.375		Radius = 9.14			X = 4.6						
	Y	15.00		5.06	12.79	20.52	28.25	35.97	47.56	59.16	82.34	128.70	
	L1	15.00	7.71	15.44	23.17	30.90	38.62	46.35	57.94	69.53	92.72	139.08	
	L2	15.00	10.11	17.83	25.56	33.29	41.02	48.74	60.33	71.93	95.11	141.47	
	Z	15.00	14.47	21.93	29.40	36.86	44.33	51.79	62.99	74.18	96.58	141.36	
MINIMUM H=1.81													
	Y	22.50		0.93	6.16	11.38	16.61	21.84	29.68	37.52	53.19	84.55	
	L1	22.50		10.41	15.63	20.86	26.08	31.31	39.15	46.99	62.67	94.03	
	L2	22.50		13.99	19.22	24.45	29.67	34.90	42.74	50.58	66.26	97.61	
	Z	22.50		17.89	22.72	27.55	32.38	37.21	44.45	51.69	66.18	95.15	
MINIMUM H=3.15													
	Y	30.00			2.58	6.58	10.58	14.58	20.58	26.58	38.58	62.58	
	L1	30.00			11.89	15.89	19.89	23.89	29.89	35.89	47.89	71.89	
	L2	30.00			16.67	20.67	24.67	28.67	34.67	40.67	52.67	76.67	
	Z	30.00			19.89	23.35	26.82	30.28	35.48	40.68	51.07	71.85	
MINIMUM H=4.75													
	Y	45.00				1.25	4.08	6.91	11.15	15.39	23.88	40.85	
	L1	45.00					13.75	16.58	20.82	25.06	33.55	50.52	
	L2	45.00					20.93	23.76	28.00	32.24	40.73	57.70	
	Z	45.00					22.17	24.17	27.17	30.17	36.17	48.17	
MINIMUM H=8.61													
	Y	60.00					0.30	2.61	6.07	9.54	16.46	30.32	
	L1	60.00							16.34	19.80	26.73	40.59	
	L2	60.00							25.91	29.37	36.30	50.16	
	Z	60.00							23.81	25.55	29.01	35.94	
MINIMUM H=13.12													
	Y	90.00							0.07	3.07	9.07	21.07	
	L1	90.00									20.08	32.08	
	L2	90.00									34.43	46.43	
	Z	90.00									22.88	22.88	
MINIMUM H=22.88													

MANUAL DE INSTRUCCIONES



Dobladoras hidráulicas 882 y 882CB para tubos portacables de **1-1/4 pulg., 1-1/2 pulg. y 2 pulg.**

Números de Serie FT 16000 y superiores



Lea y entienda todas las instrucciones y la información sobre seguridad que aparecen en este manual, antes de manejar esta herramienta o darle mantenimiento.

Registre este producto en www.greenlee.com

Índice

Descripción	16
Acerca de la seguridad.....	16
Propósito de este manual	16
Información importante sobre seguridad	17
Identificación	18
Instalación	19
Instrucciones de operación.....	20
Glosario de términos de plegado.....	21
Cómo realizar dobleces.....	22-24
Tabla de información sobre plegados especiales.....	25-27
Ilustración — Dobladoras hidráulicas serie 882.....	43
Lista de piezas — Dobladoras hidráulicas serie 882	44
Grupos de zapatas	45
Grupos de aditamentos.....	46
Ilustración y lista de piezas — Conjunto para conversión	47

Descripción

La Dobladora 882 para tubos portacables está diseñada para doblar EMT (tubería eléctrica metálica). La Dobladora 882CB para tubos portacables está diseñada para doblar tubos EMT, IMC (tubo portacables metálico intermedio), GRC (tubo portacables rígido galvanizado), y tubería 40. Hay disponibles zapatas de plegado para el uso con tubos portacables y tubería desde 1-1/4 pulg. a 2 pulg.

La dobladora debe acoplarse a cualquier bomba hidráulica Greenlee, capaz de lograr presiones de hasta 10.000 libras por pulgada² (689,5 bar) Los modelos sugeridos incluyen:

Bomba de mano:	755
Bomba eléctrica (120 V):	960 SAP 975
Bomba eléctrica (220 V):	976-22FS 976-22PS

Acerca de la seguridad

Es fundamental observar métodos seguros al utilizar y dar mantenimiento a las herramientas y equipo Greenlee. Este manual de instrucciones y todas las marcas que ostenta la herramienta le ofrecen la información necesaria para evitar riesgos y hábitos poco seguros relacionados con su uso. Siga toda la información sobre seguridad que se proporciona.

Propósito de este manual

Este manual tiene como propósito familiarizar a todo el personal con los procedimientos de operación y mantenimiento seguros para las siguientes herramientas Greenlee:

Dobladoras hidráulicas 882 y 882CB

Manténgalo siempre al alcance de todo el personal.

Altre copie di questo manuale sono disponibili gratuitamente su richiesta al sito www.greenlee.com.

Todas las especificaciones son nominales y pueden cambiar cuando se realicen mejoras en el diseño. Greenlee Textron no será responsable por daños que resulten de la aplicación o uso indebidos de sus productos.

CONSERVE ESTE MANUAL

IMPORTANTE INFORMACIÓN SOBRE SEGURIDAD



SÍMBOLO DE ALERTA SOBRE SEGURIDAD

Este símbolo se utiliza para indicar un riesgo o práctica poco segura que podría ocasionar lesiones o daños materiales. Cada uno de los siguientes términos denota la gravedad del riesgo. El mensaje que sigue a dichos términos le indica cómo puede evitar o prevenir ese riesgo.

⚠ PELIGRO

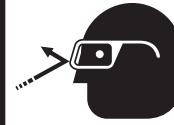
Peligros inmediatos que, de no evitarse, OCASIONARÁN graves lesiones o incluso la muerte.

⚠ ADVERTENCIA

Peligros que, de no evitarse, PODRÍAN OCASIONAR graves lesiones o incluso la muerte.

⚠ ATENCIÓN

Peligro o prácticas peligrosas que, de no evitarse, PUEDEN OCASIONAR lesiones o daños materiales.



⚠ ADVERTENCIA

Al operar la dobladora utilice protectores para ojos.

De no utilizar protectores para ojos podría sufrir graves lesiones oculares ocasionadas si el aceite para aparatos hidráulicos, o restos de materiales llegaran a saltar.

⚠ ADVERTENCIA

- No se pare en línea recta con el pistón hidráulico. Un fallo del componente podría lanzar partes con suficiente fuerza para ocasionar lesiones graves o la muerte.
- No opere esta dobladora si lleva puesta vestimenta holgada. La vestimenta holgada podría quedar atrapada en las partes móviles.

De no observarse estas advertencias podrían sufrirse lesiones graves o incluso la muerte.

⚠ ATENCIÓN

- El tubo portables se mueve rápidamente conforme se dobla. La trayectoria del tubo portables debe estar libre de obstáculos. Antes de comenzar a doblar, asegúrese que el espacio libre sea el adecuado.
- Revise minuciosamente la dobladora, la bomba y la manguera antes de cada uso. Reemplace los componentes dañados, gastados o faltantes con piezas de repuesto de Greenlee. Los componentes dañados o mal armados pueden quebrarse y golpear al personal que esté cerca de la unidad.
- Algunas piezas y accesorios de las dobladoras son pesados y podría necesitarse más de una persona para levantarlos e instalarlos. El levantamiento de objetos de manera errónea puede ocasionar lesiones en la columna.

De no observarse estas precauciones podrían sufrirse graves lesiones o daños materiales.



⚠ ADVERTENCIA

Lea y entienda todas las instrucciones y la información sobre seguridad que aparecen en este manual, antes de manejar esta herramienta o darle mantenimiento.

De no observarse esta advertencia podrían sufrirse graves lesiones o incluso la muerte.



⚠ ADVERTENCIA

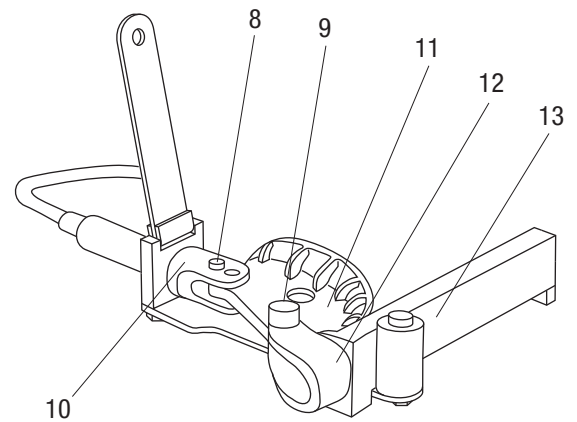
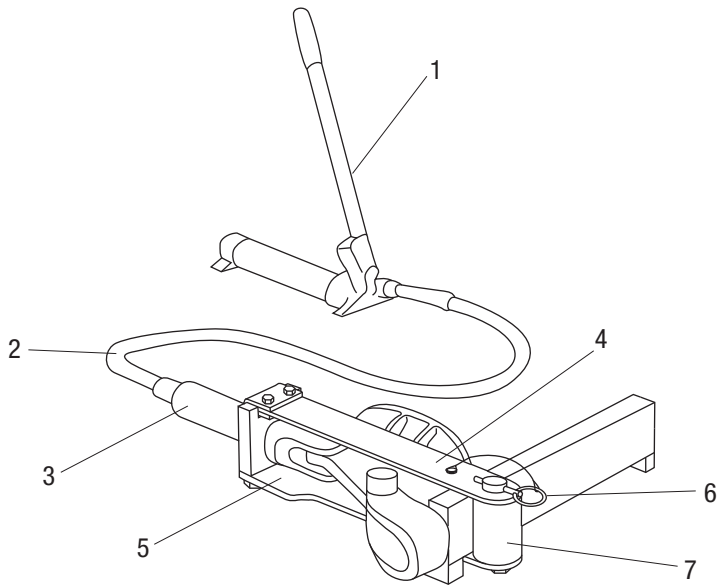
Puntos de aplastamiento:

Mantenga las manos alejadas de las zapatas de plegado, de la barra seguidora, de la silla y del tubo portables cuando se esté utilizando la dobladora.

IMPORTANTE

Asegúrese que todos los accesorios de las mangueras estén debidamente asentados antes de comenzar el doblez. Las conexiones incompletas podrían impedir que el pistón se retraiga después de terminar el doblez.

Aviso: Mantenga limpias y legibles todas las calcomanías y reemplácelas cuando sea necesario.

Identificación


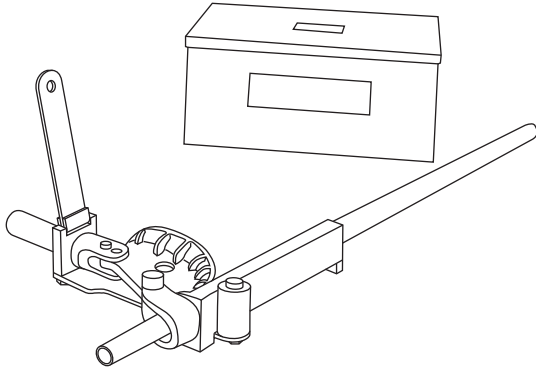
1. Bomba hidráulica
2. Unidad de manguera, 3/8 pulg. x 1,8 m, para alta presión
3. Pistón hidráulico de 12 toneladas
4. Placa superior de conexión
5. Placa inferior de conexión
6. Clavija de enganche
7. Rodillo

8. Clavija de la horquilla
9. Clavija de la silla
10. Horquilla
11. Zapata
12. Silla
13. Barra seguidora

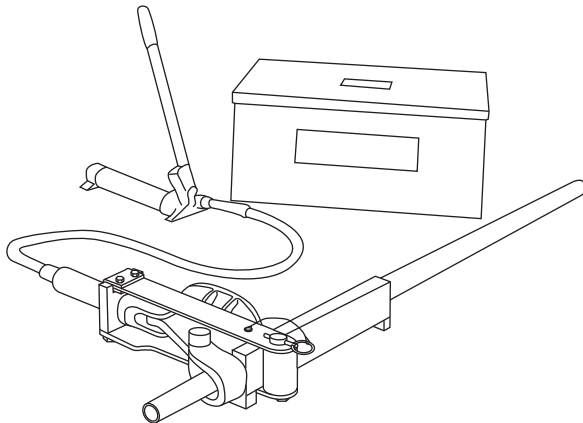
Instalación

Nota: Las zapatas, las barras seguidoras y las sillas con la marca "EMT" son para tubo portacables EMT solamente. Los componentes marcados con "Rigid/IMC" son para el uso con tubo portacables rígido e IMC, y para tubería 40.

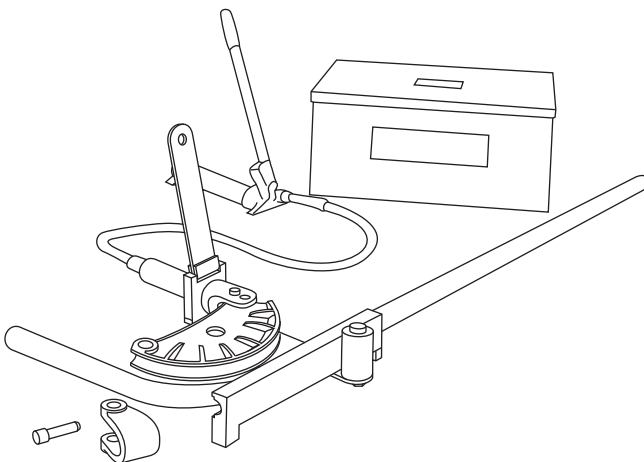
Carga del tubo portacables



Listo para doblar



Doblez completo



1. Haga una marca en el tubo portacables. Consulte las instrucciones "Cómo realizar dobleces" en este manual.
2. Seleccione la zapata plegadora, la barra seguidora, y la silla que correspondan al tamaño y al tipo de tubo portacables.
3. Retire la clavija de enganche de bloqueo del rodillo. Levante la placa de conexión superior articulada. Retire la clavija de la horquilla de la horquilla misma.
4. Coloque la zapata, con el lado con letras orientado hacia arriba, de modo que el orificio de 1 pulg. de diámetro quede en la ranura de la horquilla. Alinee el orificio de 1 pulg. de la zapata con el orificio de la horquilla que esté:
 - lo más lejos posible del pistón al usar las zapatas de 1-1/4 pulg. y 1-1/2 pulg.
 - lo más cerca posible al pistón al usar la zapata de 2 pulg.
5. Introduzca la clavija de la horquilla a través de la horquilla y la zapata.
6. Coloque la barra seguidora, con las patas hacia abajo, sobre la placa inferior de conexión.
7. Coloque el tubo portacables en la barra seguidora. Deslice la silla sobre el tubo portacables y fije la silla a la zapata con la clavija de la silla.
8. Baje la placa superior de conexión sobre la clavija del rodillo y vuelva a colocar la clavija de enganche de sujeción.
9. Alinee la marca de plegado en el tubo portacables con el borde exterior de la silla. Asegúrese que las clavijas para la horquilla y la silla estén completamente enganchadas.
10. Conecte la manguera hidráulica para alta presión al pistón y a la bomba.

Nota: Limpie los acopladores de cambio rápido antes de establecer las conexiones. Apriete a mano completamente los acopladores. No utilice herramientas.

IMPORTANTE

Siga las instrucciones y la información de seguridad suministradas con su bomba hidráulica.

Instrucciones de operación

Plegado

1. Afloje la tuerca de la escala de carrera del pistón; ponga a cero la escala de carrera del pistón, la cual se lee en el borde del bloque. Apriete la tuerca. Consulte la ilustración bajo "Tabla de carreras del pistón para dobleces comunes".

2. Accione la bomba hidráulica y avance el pistón hasta que la zapata entre en contacto con el tubo portacables y éste quede asentado en la barra seguidora. Verifique la colocación del tubo portacables para asegurarse que la marca de plegado esté alineada con el borde exterior de la silla.

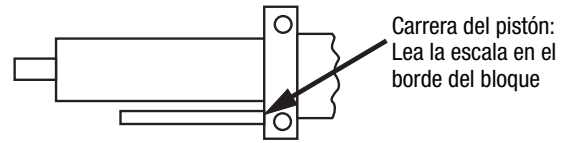
Nota: Para instrucciones de operación de su bomba específica, consulte el manual de operación incluido con la bomba hidráulica.

3. Consulte la "Tabla de carreras del pistón" para determinar la longitud de carrera de pistón necesaria para realizar el doblez.
4. Utilice la bomba hidráulica para avanzar el pistón la longitud necesaria de carrera del pistón.
5. Libere la presión hidráulica en la bomba y mueva el tubo portacables a la siguiente posición de plegado.

Nota: Si se va a realizar un doblez de compensación, gire el tubo portacables 180° antes de efectuar el segundo doblez. Si va a realizar una silla de tres dobleces, gire el tubo portacables 180° antes de hacer el segundo y tercer doblez; el segundo ángulo de doblez es dos veces el número de grados y requiere más carrera del pistón que el primer y tercer doblez. Si intenta realizar una silla de cuatro dobleces, gire el tubo portacables antes de efectuar el segundo y el cuarto doblez.

6. Repita los pasos 2 hasta el 5 hasta efectuar el último doblez.
7. Libere la presión hidráulica en la bomba. Retire la clavija de sujeción para liberar la placa superior de conexión. Levante la placa fuera de la zapata, la barra seguidora y la silla.
8. Retire el tubo portacables de la dobladora.

Tabla de carreras del pistón para dobleces comunes

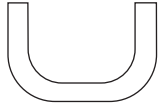


Carrera del pistón (aproximada)			
Ángulo de doblez	PARA TUBERÍA PORTABLES IMC/RIGID		
	1-1/4"	1-1/2"	2"
5°	2-1/8"	7/8"	13/16"
10°	2-3/8"	1-1/16"	1-1/16"
15°	2-5/8"	1-3/8"	1-7/16"
30°	3-5/16"	2-1/16"	2-1/2"
45°	4-1/8"	2-7/8"	3-9/16"
60°	4-15/16"	3-11/16"	4-5/8"
90°	6-1/4"	5-13/16"	6-11/16"
Ángulo de doblez	PARA TUBO PORTACABLES EMT		
	1-1/4"	1-1/2"	2"
5°	2-1/16"	7/8"	1-3/8"
10°	2-1/4"	1-1/8"	1-5/8"
15°	2-7/16"	1-5/16"	1-7/8"
30°	3-1/8"	2-1/16"	2-5/8"
45°	3-7/8"	2-7/8"	3-3/8"
60°	4-5/8"	3-11/16"	4-3/16"
90°	6-3/16"	5-3/8"	5-1/2"

Nota: Consulte la tabla que corresponda al tipo de conducto a doblar. Encuentre el grado de doblez en la columna extrema izquierda y encuentre el tamaño del tubo portacables a la derecha. El número mostrado en la tabla es la longitud de carrera necesaria del pistón.

Glosario de términos de plegado con ilustraciones

- 1. cantidad de desviación** — la distancia que debe desviarse el tubo portacables o tubería para evitar un obstáculo; consulte el término *desviación* en este glosario y las instrucciones de plegado para “Desviaciones” en este manual

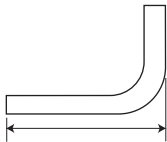


- 2. doblez contiguo** — cualquier doblez en forma de U formado por dos dobleces paralelos de 90° con una sección recta de tubo portacables o tubería entre los dobleces.

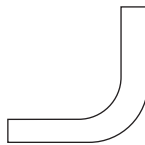
- 3. distancia centro a centro** — la distancia entre los dobleces sucesivos que conforman una desviación o silla de tres dobleces.

- 4. profundidad de desviación** — lo mismo que *cantidad de desviación*

- 5. altura de desviación** — lo mismo que *cantidad de desviación*

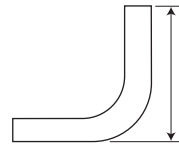


- 6. longitud de la pata** — la distancia desde el extremo de una sección horizontal del tubo portacables o tubería hasta el doblez; medida desde el extremo hasta la línea central, el borde interior o el borde exterior del tubo portacables o tubería.



- 7. codo de 90°** — cualquier doblez que cambie 90° la dirección del tubo portacables o tubería

- 8. D.E.** — el diámetro de cualquier pieza del tubo portacables o tubería según se mide a través de su diámetro exterior



- 9. doblez de desviación** — dos dobleces con el mismo grado de doblez; utilizado para esquivar un obstáculo que bloquee el paso del tubo portacables o tubería

- 10. carrera del pistón** — la distancia que el pistón de la dobladora hidráulica se desplaza para lograr un doblez particular; las pulgadas de carrera del pistón son proporcionales a los grados de doblez

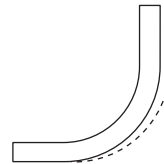
- 11. elevación** — la distancia desde el extremo de una sección horizontal del tubo portacables o tubería hasta el doblez; medida desde el extremo hasta la línea central, el borde interior o el borde exterior del tubo portacables o tubería.

- 12. contracción** — la cantidad de tubo portacables “que se pierde” cuando se tiende un doblez de desviación trabajando hacia un obstáculo; consulte la explicación bajo “Plegado de desviación” en este manual.

- 13. resistencia al doblez** — la cantidad, medida en grados, que un tubo portacables o tubería tiende a enderezarse luego del doblez

- 14. codo** — lo mismo que *elevación*

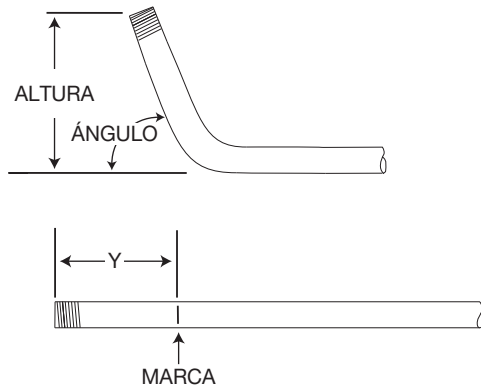
- 15. codo hacia arriba** — lo mismo que *elevación*



Cómo realizar dobleces

Las siguientes ilustraciones y tablas de plegado tienen como finalidad proporcionar la información necesaria para obtener los tipos de dobleces más comunes. La “Tabla de información sobre plegados especiales” contiene información sobre las dimensiones de plegado necesarias de uso más frecuente.

Codos



1. Seleccione el tamaño y tipo de tubo portacables a doblar. Determine la altura del codo y el ángulo de doblez.
2. Encuentre la tabla que corresponda al diámetro y tipo de tubo portacables seleccionados en el Paso 1.
3. Bajo la columna titulada **ÁNGULO**, encuentre el ángulo del doblez.
4. Encuentre la fila titulada **Y**. En la fila de la parte superior de la página, encuentre la altura (**A**) del codo. El número mostrado en esta intersección es la dimensión **Y**. Coloque la marca de plegado a **Y** pulgadas del extremo del tubo portacables.
5. Consulte las instrucciones de plegado.

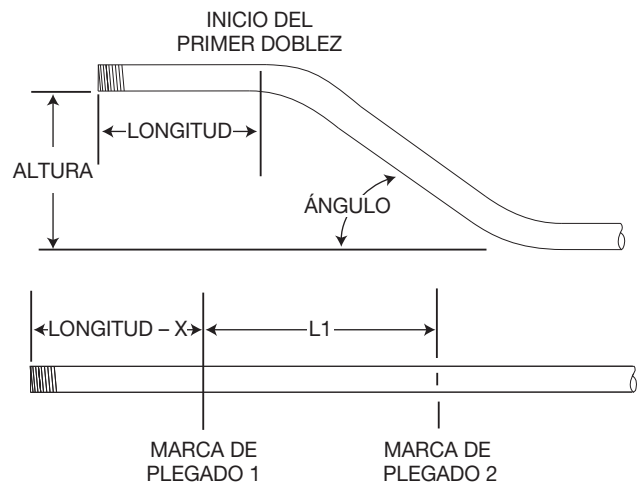
Desviación

Se utiliza una desviación para encaminar el tubo portacables alrededor de un obstáculo. Para realizar una desviación, se requieren dos dobleces iguales. La distancia entre dos dobleces es la distancia centro a centro. Ésta se representa en las tablas de plegado por medio de **L1**.

Al sobrepassar un obstáculo, será necesario determinar la ubicación del primer doblez. Entonces, se utiliza la distancia centro a centro para determinar la ubicación del segundo doblez.

Al avanzar hacia un obstáculo, será necesario determinar la ubicación del segundo doblez. Entonces, se utiliza la distancia centro a centro para determinar la ubicación del primer doblez.

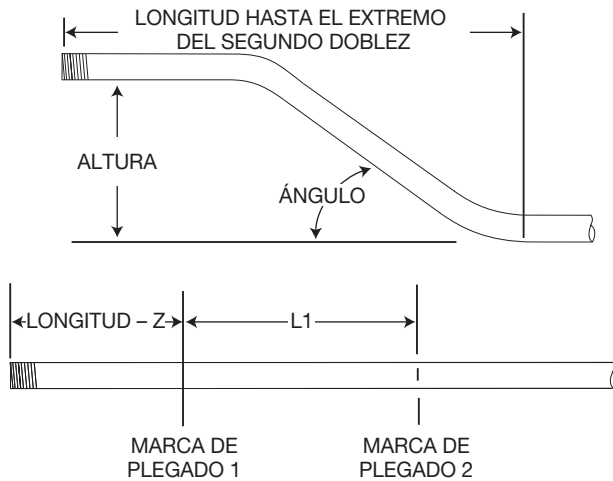
Desviaciones: Para sobrepassar un obstáculo



1. Seleccione el tamaño y tipo de tubo portacables a doblar. Mida la altura del obstáculo y la distancia titulada **LONGITUD**. Seleccione el ángulo que se va a utilizar.
2. Encuentre la tabla que corresponda al diámetro y tipo de tubo portacables seleccionados en el Paso 1.
3. A la derecha del diámetro y tipo de tubo portacables, encuentre la dimensión titulada **X**. Reste **X** de **LONGITUD**. Coloque la primera marca de plegado (Marca de plegado 1) a esta distancia del extremo del tubo portacables.
4. Bajo la columna titulada **ÁNGULO**, encuentre el ángulo del doblez. Encuentre la fila titulada **L1**. En la fila de la parte superior de la página, encuentre la altura (**A**) de la desviación. El valor en esta intersección es la dimensión **L1**. Coloque la segunda marca de plegado (Marca de plegado 2) a **L1** pulgadas de la primera marca de plegado.
5. Consulte las instrucciones de plegado.

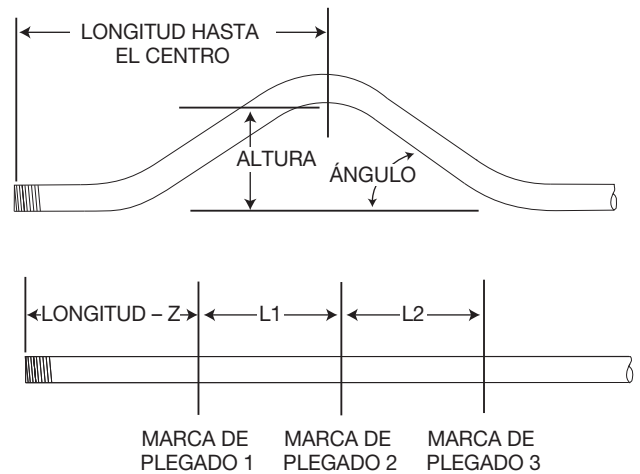
Cómo realizar dobleces (continuación)

Desviaciones: Avanzando hacia un obstáculo



1. Seleccione el tamaño y tipo de tubo portacables a doblar. Mida la altura del obstáculo y la distancia titulada LONGITUD HASTA EL EXTREMO DEL SEGUNDO DOBLEZ. Seleccione el ángulo que se va a utilizar.
2. Encuentre la tabla que corresponda al diámetro y tipo de tubo portacables seleccionados en el Paso 1.
3. Bajo la columna titulada ÁNGULO, encuentre el ángulo del doblez. Encuentre la fila titulada Z. En la fila de la parte superior de la página, encuentre la altura (A) de la desviación. El valor mostrado en esta intersección es la dimensión Z. Reste Z de la LONGITUD AL EXTREMO DEL SEGUNDO DOBLEZ. Coloque la primera marca de plegado a esta distancia del extremo del tubo portacables.
4. En la misma columna, encuentre la fila titulada L1. Coloque la segunda marca de plegado a L1 pulgadas de la primera marca de plegado.
5. Consulte las instrucciones de plegado.

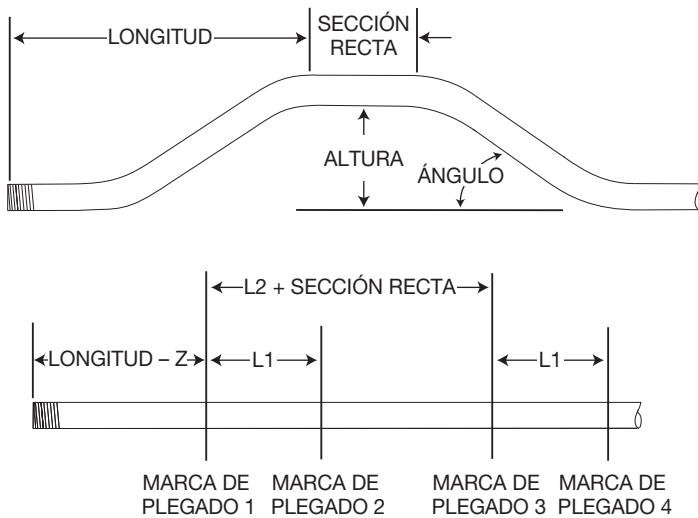
Silla de tres dobleces



1. Seleccione el tamaño y tipo de tubo portacables a doblar. Mida la altura del obstáculo y la distancia desde el extremo del tubo portacables al centro (LONGITUD AL CENTRO) del doblez. Seleccione el ángulo que se va a utilizar.
Nota: El segundo ángulo de doblez será el doble del número de grados que el primero y el tercer doblez.
2. Encuentre la tabla que corresponda al diámetro y tipo de tubo portacables seleccionados en el Paso 1.
3. Bajo la columna titulada ÁNGULO, encuentre el ángulo del doblez necesario. Encuentre la fila titulada Z. En la fila de la parte superior de la página, encuentre la altura (A) de la desviación. El valor que aparece en esta intersección es Z. Reste Z de la LONGITUD AL CENTRO. Coloque la primera marca de plegado a esta distancia del extremo del tubo portacables.
4. En la misma columna, encuentre la fila titulada L1. Coloque la segunda marca de plegado a L1 pulgadas de la primera marca de plegado.
5. En la misma columna, encuentre la fila titulada L2. Coloque la tercera marca de plegado a L2 pulgadas de la segunda marca de plegado.
6. Consulte las instrucciones de plegado.

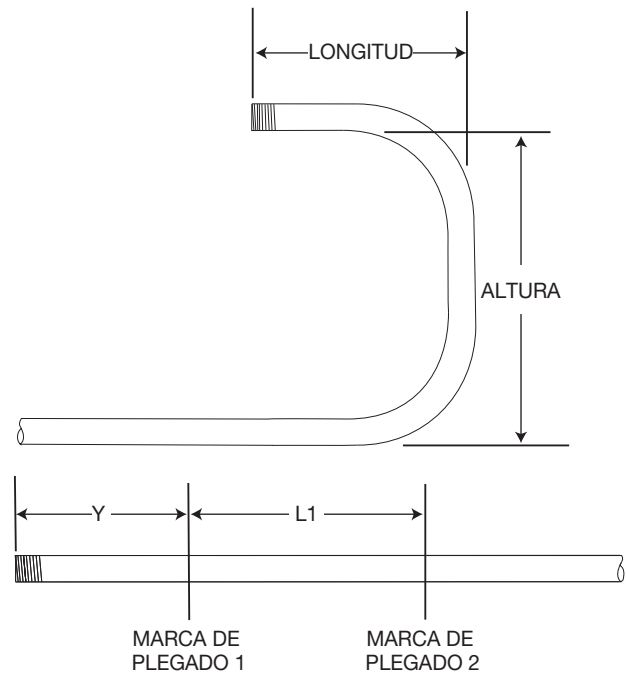
Cómo realizar dobleces (continuación)

Silla de cuatro dobleces



1. Seleccione el tamaño y tipo de tubo portacables a doblar. Mida la altura del obstáculo, la distancia titulada LONGITUD, y la distancia titulada SECCIÓN RECTA. Seleccione el ángulo que se va a utilizar.
2. Encuentre la tabla que corresponda al diámetro y tipo de tubo portacables seleccionados en el Paso 1.
3. Bajo la columna titulada ÁNGULO, encuentre el ángulo del doblez necesario. Encuentre la fila titulada Z. En la fila de la parte superior de la página, encuentre la altura (A) de la desviación. El valor que aparece en esta intersección es Z. Reste Z de la LONGITUD. Coloque la primera marca de plegado a esta distancia del extremo del tubo portacables.
4. En la misma columna, encuentre la fila titulada L1. Coloque la segunda marca de plegado a L1 pulgadas de la primera marca de plegado.
5. En la misma columna, encuentre la fila titulada L2. Añada L2 a la SECCIÓN RECTA. Coloque la tercera marca de plegado a esta distancia de la primera marca de plegado.
6. Coloque la última marca de plegado a L1 pulgadas de la tercera marca de plegado.
7. Consulte las instrucciones de plegado.

Dobleces en U



1. Seleccione el tamaño y tipo de tubo portacables a doblar. Determine la LONGITUD y la ALTURA.
2. Encuentre la tabla que corresponda al diámetro y tipo de tubo portacables seleccionados en el Paso 1.
3. Bajo la columna titulada ÁNGULO, encuentre 90°.
4. Encuentre la fila titulada Y. En la fila de la parte superior de la página, encuentre la altura (A) que corresponde a la LONGITUD. El número mostrado en esta intersección es la dimensión Y. Coloque la marca de plegado a Y pulgadas del extremo del tubo portacables.
5. Encuentre la fila titulada L1; luego vaya a la derecha y encuentre la altura (A) que corresponde a la ALTURA. El valor que aparece en esta intersección es la dimensión L1. Coloque la segunda marca de plegado a L1 pulgadas de la primera marca.
6. Consulte las instrucciones de plegado.

Tabla de información sobre plegados especiales

DIM	ÁNGULO	ALTURA (A)									
		2"	4"	6"	8"	10"	12"	15"	18"	24"	36"
EMT de 1-1/4 pulg.		Diám. = 1,51		Radio = 7,43		X = 3,42					
Y	15,00	0,41	8,14	15,87	23,59	31,32	39,05	50,64	62,23	85,41	131,78
L1	15,00	7,72	15,44	23,17	30,90	38,63	46,35	57,94	69,54	92,72	139,08
L2	15,00	9,66	17,39	25,12	32,84	40,57	48,30	59,89	71,48	94,66	141,03
Z	15,00	12,84	20,30	27,77	35,23	42,70	50,16	61,36	72,55	94,95	139,73
ALTURA MÍNIMA=1,39											
Y	22,50		3,58	8,81	14,03	19,26	24,49	32,33	40,17	55,84	87,20
L1	22,50		10,41	15,64	20,87	26,09	31,32	39,16	47,00	62,68	94,03
L2	22,50		13,33	18,56	23,78	29,01	34,24	42,08	49,92	65,59	96,95
Z	22,50		16,03	20,86	25,69	30,52	35,35	42,59	49,83	64,32	93,29
ALTURA MÍNIMA=2,44											
Y	30,00		1,08	5,08	9,08	13,08	17,08	23,08	29,08	41,08	65,08
L1	30,00		7,91	11,91	15,91	19,91	23,91	29,91	35,91	47,91	71,91
L2	30,00		11,80	15,80	19,80	23,80	27,80	33,80	39,80	51,80	75,80
Z	30,00		14,33	17,79	21,26	24,72	28,19	33,38	38,58	48,97	69,76
ALTURA MÍNIMA=3,70											
Y	45,00			0,92	3,75	6,58	9,41	13,65	17,89	26,38	43,35
L1	45,00				10,99	13,82	16,65	20,89	25,14	33,62	50,59
L2	45,00				16,83	19,66	22,49	26,73	30,97	39,46	56,43
Z	45,00				17,58	19,58	21,58	24,58	27,58	33,58	45,58
ALTURA MÍNIMA=6,77											
Y	60,00				0,66	2,97	5,27	8,74	12,20	19,13	32,99
L1	60,00						13,06	16,52	19,99	26,91	40,77
L2	60,00						20,84	24,30	27,77	34,69	48,55
Z	60,00						18,93	20,66	22,39	25,86	32,78
ALTURA MÍNIMA=10,39											
Y	90,00						0,40	3,40	6,40	12,40	24,39
L1	90,00									20,81	32,81
L2	90,00									32,48	44,48
Z	90,00									18,28	18,28
ALTURA MÍNIMA=18,28											
EMT de 1-1/2 pulg.		Diám. = 1.74		Radio = 8.3		X = 3.82					
Y	15,00		7,18	14,91	22,64	30,36	38,09	49,68	61,27	84,45	130,82
L1	15,00	7,71	15,44	23,17	30,90	38,62	46,35	57,94	69,53	92,72	139,08
L2	15,00	9,89	17,62	25,34	33,07	40,80	48,52	60,12	71,71	94,89	141,25
Z	15,00	13,47	20,93	28,40	35,86	43,33	50,79	61,99	73,18	95,57	140,36
ALTURA MÍNIMA=1,55											
Y	22,50		2,71	7,93	13,16	18,39	23,61	31,45	39,29	54,97	86,33
L1	22,50		10,41	15,64	20,86	26,09	31,31	39,15	46,99	62,67	94,03
L2	22,50		13,67	18,90	24,12	29,35	34,57	42,41	50,25	65,93	97,29
Z	22,50		16,78	21,61	26,44	31,26	36,09	43,34	50,58	65,06	94,03
ALTURA MÍNIMA=2,73											
Y	30,00		0,22	4,22	8,22	12,22	16,22	22,22	28,22	40,22	64,22
L1	30,00			11,90	15,90	19,90	23,90	29,90	35,90	47,90	71,90
L2	30,00			16,24	20,24	24,24	28,24	34,24	40,24	52,24	76,24
Z	30,00			18,66	22,12	25,59	29,05	34,25	39,44	49,84	70,62
ALTURA MÍNIMA=4,13											
Y	45,00			0,00	2,83	5,65	8,48	12,72	16,97	25,45	42,42
L1	45,00				10,96	13,78	16,61	20,86	25,10	33,58	50,55
L2	45,00				17,48	20,30	23,13	27,37	31,62	40,10	57,07
Z	45,00				18,70	20,70	22,70	25,70	28,70	34,70	46,70
ALTURA MÍNIMA=7,56											
Y	60,00					1,93	4,24	7,70	11,17	18,10	31,95
L1	60,00						12,96	16,43	19,89	26,82	40,68
L2	60,00						21,66	25,12	28,58	35,51	49,37
Z	60,00						20,33	22,06	23,80	27,26	34,19
ALTURA MÍNIMA=11,61											
Y	90,00							2,01	5,01	11,01	23,01
L1	90,00									20,44	32,44
L2	90,00									33,48	45,48
Z	90,00									20,42	20,42
ALTURA MÍNIMA=20,42											

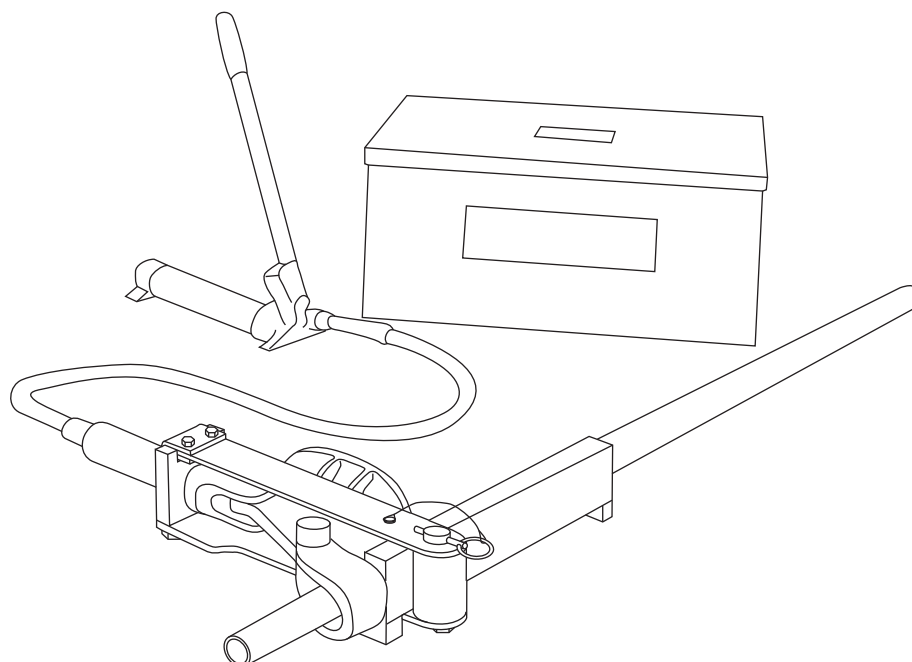
Tabla de información sobre plegados especiales (continuación)

DIM	ÁNGULO	ALTURA (A)										
		2"	4"	6"	8"	10"	12"	15"	18"	24"	36"	
EMT de 2 pulg.		Diám. = 2,2			Radio = 9,59			X = 3,93				
Y	15,00		6,01	13,74	21,47	29,19	36,92	48,51	60,10	83,29	129,65	
L1	15,00	7,71	15,44	23,17	30,90	38,62	46,35	57,94	69,53	92,71	139,08	
L2	15,00	10,22	17,95	25,68	33,41	41,13	48,86	60,45	72,04	95,23	141,59	
Z	15,00	13,92	21,38	28,85	36,31	43,78	51,24	62,44	73,63	96,02	140,81	
ALTURA MÍNIMA=1,67												
Y	22,50		1,74	6,97	12,19	17,42	22,65	30,48	38,32	54,00	85,36	
L1	22,50		10,40	15,63	20,86	26,08	31,31	39,15	46,99	62,67	94,02	
L2	22,50		14,17	19,40	24,62	29,85	35,07	42,91	50,75	66,43	97,79	
Z	22,50		17,40	22,23	27,06	31,89	36,72	43,96	51,20	65,69	94,66	
ALTURA MÍNIMA=2,96												
Y	30,00			3,30	7,30	11,30	15,30	21,30	27,30	39,30	63,30	
L1	30,00			11,88	15,88	19,88	23,88	29,88	35,88	47,88	71,88	
L2	30,00			16,90	20,90	24,90	28,90	34,90	40,90	52,90	76,90	
Z	30,00			19,46	22,93	26,39	29,85	35,05	40,25	50,64	71,42	
ALTURA MÍNIMA=4,53												
Y	45,00				1,86	4,68	7,51	11,76	16,00	24,48	41,45	
L1	45,00					13,73	16,56	20,80	25,04	33,53	50,50	
L2	45,00					21,26	24,09	28,33	32,58	41,06	58,03	
Z	45,00					21,87	23,87	26,87	29,87	35,87	47,87	
ALTURA MÍNIMA=8,40												
Y	60,00					0,81	3,12	6,58	10,05	16,98	30,83	
L1	60,00							16,29	19,75	26,68	40,54	
L2	60,00							26,33	29,80	36,72	50,58	
Z	60,00							23,66	25,40	28,86	35,79	
ALTURA MÍNIMA=12,99												
Y	90,00							0,38	3,38	9,38	21,38	
L1	90,00									19,88	31,88	
L2	90,00									34,95	46,95	
Z	90,00									23,11	23,11	
ALTURA MÍNIMA= 23,11												
1-1/4 IMC/RIGID		Diám. = 1,66			Radio = 7,47			X = 3,95				
Y	15,00		7,31	15,04	22,77	30,50	38,22	49,82	61,41	84,59	130,95	
L1	15,00	7,72	15,44	23,17	30,90	38,63	46,35	57,94	69,54	92,72	139,08	
L2	15,00	9,67	17,40	25,13	32,85	40,58	48,31	59,90	71,49	94,67	141,04	
Z	15,00	13,38	20,85	28,31	35,77	43,24	50,70	61,90	73,09	95,49	140,27	
ALTURA MÍNIMA=1,53												
Y	22,50		2,85	8,07	13,30	18,53	23,75	31,59	39,43	55,11	86,47	
L1	22,50		10,41	15,64	20,87	26,09	31,32	39,16	47,00	62,68	94,03	
L2	22,50		13,35	18,57	23,80	29,03	34,25	42,09	49,93	65,61	96,97	
Z	22,50		16,58	21,41	26,24	31,06	35,89	43,13	50,38	64,86	93,83	
ALTURA MÍNIMA=2,65												
Y	30,00		0,39	4,39	8,39	12,39	16,39	22,39	28,39	40,39	64,39	
L1	30,00		7,91	11,91	15,91	19,91	23,91	29,91	35,91	47,91	71,91	
L2	30,00		11,82	15,82	19,82	23,82	27,82	33,82	39,82	51,82	75,82	
Z	30,00		14,88	18,35	21,81	25,27	28,74	33,93	39,13	49,52	70,31	
ALTURA MÍNIMA=3,98												
Y	45,00			0,27	3,10	5,92	8,75	13,00	17,24	25,72	42,69	
L1	45,00				10,99	13,82	16,65	20,89	25,13	33,62	50,59	
L2	45,00				16,86	19,69	22,52	26,76	31,00	39,49	56,46	
Z	45,00				18,14	20,14	22,14	25,14	28,14	34,14	46,14	
ALTURA MÍNIMA=7,17												
Y	60,00				0,02	2,33	4,64	8,10	11,56	18,49	32,35	
L1	60,00						13,05	16,52	19,98	26,91	40,77	
L2	60,00						20,88	24,34	27,80	34,73	48,59	
Z	60,00						19,50	21,24	22,97	26,43	33,36	
ALTURA MÍNIMA=10,90												
Y	90,00							2,75	5,75	11,75	23,75	
L1	90,00									20,79	32,79	
L2	90,00									32,53	44,53	
Z	90,00									18,89	18,89	
ALTURA MÍNIMA=18,89												

Tabla de información sobre plegados especiales (continuación)

DIM	ÁNGULO	ALTURA (A)									
		2"	4"	6"	8"	10"	12"	15"	18"	24"	36"
IMC/RIGID de 1-1/2 pulg.		Diám. = 1,9		Radio = 8,5			X = 4,05				
Y	15,00		6,62	14,34	22,07	29,80	37,52	49,12	60,71	83,89	130,25
L1	15,00	7,71	15,44	23,17	30,90	38,62	46,35	57,94	69,53	92,72	139,08
L2	15,00	9,94	17,67	25,39	33,12	40,85	48,58	60,17	71,76	94,94	141,31
Z	15,00	13,75	21,22	28,68	36,14	43,61	51,07	62,27	73,46	95,86	140,64
ALTURA MÍNIMA=1,63											
Y	22,50		2,23	7,46	12,68	17,91	23,13	30,97	38,81	54,49	85,85
L1	22,50		10,41	15,64	20,86	26,09	31,31	39,15	46,99	62,67	94,03
L2	22,50		13,75	18,97	24,20	29,43	34,65	42,49	50,33	66,01	97,37
Z	22,50		17,09	21,92	26,75	31,57	36,40	43,64	50,89	65,37	94,34
ALTURA MÍNIMA=2,84											
Y	30,00			3,77	7,77	11,77	15,77	21,77	27,77	39,77	63,77
L1	30,00			11,90	15,90	19,90	23,90	29,90	35,90	47,90	71,90
L2	30,00			16,35	20,35	24,35	28,35	34,35	40,35	52,35	76,35
Z	30,00			19,00	22,46	25,93	29,39	34,59	39,78	50,17	70,96
ALTURA MÍNIMA=4,30											
Y	45,00				2,40	5,23	8,06	12,30	16,54	25,03	42,00
L1	45,00				10,95	13,78	16,60	20,85	25,09	33,58	50,55
L2	45,00				17,62	20,45	23,28	27,52	31,77	40,25	57,22
Z	45,00				19,09	21,09	23,09	26,09	29,09	35,09	47,09
ALTURA MÍNIMA=7,84											
Y	60,00					1,49	3,80	7,27	10,73	17,66	31,51
L1	60,00						12,94	16,41	19,87	26,80	40,66
L2	60,00						21,84	25,31	28,77	35,70	49,56
Z	60,00						20,79	22,53	24,26	27,72	34,65
ALTURA MÍNIMA=12,01											
Y	90,00							1,50	4,50	10,50	22,50
L1	90,00									20,35	32,35
L2	90,00									33,70	45,70
Z	90,00									21,05	21,05
ALTURA MÍNIMA=21,05											
IMC/RIGID de 2 pulg.		Diám. = 2,375		Radio = 9,14			X = 4,6				
Y	15,00		5,06	12,79	20,52	28,25	35,97	47,56	59,16	82,34	128,70
L1	15,00	7,71	15,44	23,17	30,90	38,62	46,35	57,94	69,53	92,72	139,08
L2	15,00	10,11	17,83	25,56	33,29	41,02	48,74	60,33	71,93	95,11	141,47
Z	15,00	14,47	21,93	29,40	36,86	44,33	51,79	62,99	74,18	96,58	141,36
ALTURA MÍNIMA=1,81											
Y	22,50		0,93	6,16	11,38	16,61	21,84	29,68	37,52	53,19	84,55
L1	22,50		10,41	15,63	20,86	26,08	31,31	39,15	46,99	62,67	94,03
L2	22,50		13,99	19,22	24,45	29,67	34,90	42,74	50,58	66,26	97,61
Z	22,50		17,89	22,72	27,55	32,38	37,21	44,45	51,69	66,18	95,15
ALTURA MÍNIMA=3,15											
Y	30,00			2,58	6,58	10,58	14,58	20,58	26,58	38,58	62,58
L1	30,00			11,89	15,89	19,89	23,89	29,89	35,89	47,89	71,89
L2	30,00			16,67	20,67	24,67	28,67	34,67	40,67	52,67	76,67
Z	30,00			19,89	23,35	26,82	30,28	35,48	40,68	51,07	71,85
ALTURA MÍNIMA=4,75											
Y	45,00				1,25	4,08	6,91	11,15	15,39	23,88	40,85
L1	45,00					13,75	16,58	20,82	25,06	33,55	50,52
L2	45,00					20,93	23,76	28,00	32,24	40,73	57,70
Z	45,00					22,17	24,17	27,17	30,17	36,17	48,17
ALTURA MÍNIMA=8,61											
Y	60,00					0,30	2,61	6,07	9,54	16,46	30,32
L1	60,00							16,34	19,80	26,73	40,59
L2	60,00							25,91	29,37	36,30	50,16
Z	60,00							23,81	25,55	29,01	35,94
ALTURA MÍNIMA=13,12											
Y	90,00							0,07	3,07	9,07	21,07
L1	90,00									20,08	32,08
L2	90,00									34,43	46,43
Z	90,00									22,88	22,88
ALTURA MÍNIMA=22,88											

MANUEL D'INSTRUCTIONS



Cintreuses hydrauliques 882 et 882CB

pour conduit de 1-1/4 po, 1-1/2 po et 2 po

Numéros de série FT 16000 et au-dessus



Nous vous conseillons de **lire attentivement** et de **bien comprendre** les instructions suivantes avant d'utiliser ou de procéder à l'entretien de cet outil.

Enregistrez votre produit en ligne, www.greenlee.com

Table des matières

Description	30
Sécurité	30
Objet de ce manuel	30
Informations de sécurité importantes.....	31
Identification	32
Mise en service.....	33
Mode d'emploi	34
Glossaire des termes de cintrage.....	35
Préparation des cintrages	36-38
Table de données de cintrage spéciales.....	39-41
Illustration — Cintreuses hydrauliques série 882	43
Nomenclature des pièces — Cintreuses hydrauliques série 882	44
Groupes de sabots.....	45
Groupes d'accessoires.....	46
Illustration et nomenclature des pièces — Nécessaire de conversion	47

Description

La cintreuse 882 est destinée au cintrage d'EMT (tube électrique métallique). La cintreuse 882CB est destinée au cintrage d'EMT, d'IMC (conduit métallique intermédiaire), de GRC (conduit rigide galvanisé) et de tuyau en acier de nomenclature 40. Des sabots de cintrage sont proposés pour des conduits et tuyaux de 1-1/4 po à 2 po.

La cintreuse se raccorde à toute pompe hydraulique Greenlee d'une capacité de 10 000 psi (689,5 bar). Les modèles conseillés sont notamment :

Pompe manuelle :	755
Pompe électrique (120 V) :	960 SAPS 975
Pompe électrique (220 V) :	976-22FS 976-22PS

Sécurité

Lors de l'utilisation et de l'entretien des outils et de l'équipement de Greenlee, votre sécurité est une priorité. En suivant les instructions de ce manuel et celles inscrites sur l'outil, vous pourrez éliminer les risques et les dangers liés à son utilisation. Respectez toutes les consignes de sécurité.

Objet de ce manuel

Ce manuel a pour objet de familiariser les utilisateurs avec les procédures préconisées pour une utilisation et un entretien sans danger des outils Greenlee suivants :

Cintreuses hydrauliques 882 et 882CB

Mettez ce manuel à la disposition de tous les employés.

On peut obtenir des exemplaires gratuits sur simple demande www.greenlee.com.

Toutes les spécifications sont nominales et peuvent changer avec l'amélioration de la conception. Greenlee Textron ne peut être tenue responsable des dommages résultant d'une application inappropriée ou d'un mauvais usage de ses produits.

CONSERVEZ CE MANUEL

INFORMATIONS DE SÉCURITÉ IMPORTANTES



SYMBOLE D'AVERTISSEMENT

Ce symbole met en garde contre les risques et les manipulations dangereuses pouvant entraîner des blessures ou l'endommagement du matériel. Le mot indicateur, défini ci-dessous, indique la gravité du danger. Le message qui suit le mot indicateur indique comment empêcher le danger.

⚠ DANGER

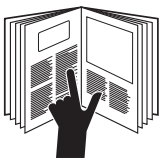
Danger immédiat qui, s'il n'est pas pris en considération ENTRAÎNERA des blessures graves, voire mortelles.

⚠ AVERTISSEMENT

Danger qui, s'il n'est pas pris en considération, POURRAIT entraîner des blessures graves, voire mortelles.

⚠ ATTENTION

Dangers ou manipulations dangereuses qui, s'ils ne sont pas pris en considération, POURRAIENT EVENTUELLEMENT entraîner des dommages à la propriété ou causer des blessures.



⚠ AVERTISSEMENT

Nous vous conseillons de lire attentivement et de bien comprendre les instructions suivantes avant d'utiliser ou de procéder à l'entretien de cet outil.

Le non-respect de cette mise en garde peut entraîner des blessures graves ou la mort.

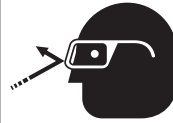


⚠ AVERTISSEMENT

Points de pincement :

Tenir les mains à l'écart du sabot de cintrage, du rail suiveur, de l'étrier et du conduit durant l'utilisation de la cintreuse.

⚠ AVERTISSEMENT



Porter une protection oculaire durant l'utilisation de la cintreuse.

L'absence de protection oculaire peut entraîner des lésions oculaires graves causées par des projections de débris ou de liquide hydraulique.

⚠ AVERTISSEMENT

- Ne pas se tenir directement en face du vérin hydraulique. Une défaillance du système peut projeter des pièces avec suffisamment de force pour provoquer des blessures graves ou la mort.
- Ne pas porter des vêtements amples lors de l'utilisation de la machine. Les vêtements amples peuvent se prendre dans les pièces en mouvement.

Le non-respect de ces mises en garde peut entraîner des blessures graves ou la mort.

⚠ ATTENTION

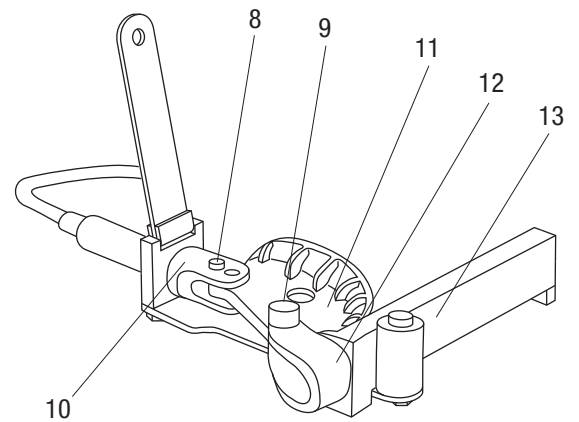
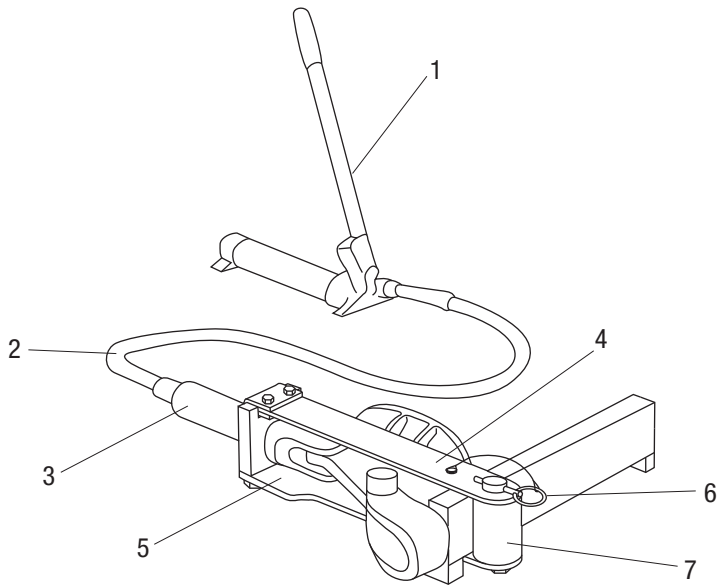
- Le conduit se déplace rapidement durant le cintrage. Le passage du conduit doit être dégagé de tout obstacle. S'assurer que l'espace disponible est suffisant avant de démarrer le cintrage.
- Contrôler la cintreuse, la pompe et le flexible hydraulique avant chaque utilisation. Remplacer les pièces endommagées, usées ou manquantes par des pièces de rechange Greenlee. Un élément endommagé ou mal assemblé peut se casser et blesser les personnes proches.
- En raison de leur poids, le levage et l'assemblage de certains accessoires et pièces de la cintreuse peuvent nécessiter plus d'une personne. Un levage incorrect peut provoquer une lésion du dos.

Le non-respect de ces précautions peut entraîner des blessures ou des dégâts matériels.

IMPORTANT

Vérifier que tous les raccords de flexible sont correctement engagés avant de commencer un cintrage. De mauvais raccordements peuvent empêcher le retrait du vérin une fois que le cintrage est effectué.

Remarque : Conserver toutes les décalcomanies dans un état propre et lisible et les remplacer au besoin.

Identification

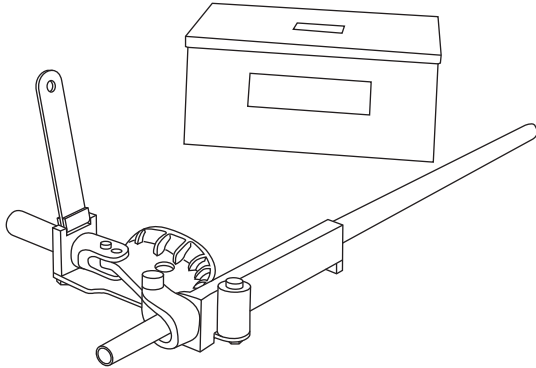
1. Pompe hydraulique
2. Flexible haute pression, 3/8 po x 1,8 m
3. Vérin hydraulique de 12 tonnes
4. Plaque de raccordement supérieure
5. Plaque de raccordement inférieure
6. Goupille
7. Galet

8. Broche de chape
9. Broche d'étrier
10. Chape
11. Sabot
12. Étrier
13. Rail suiveur

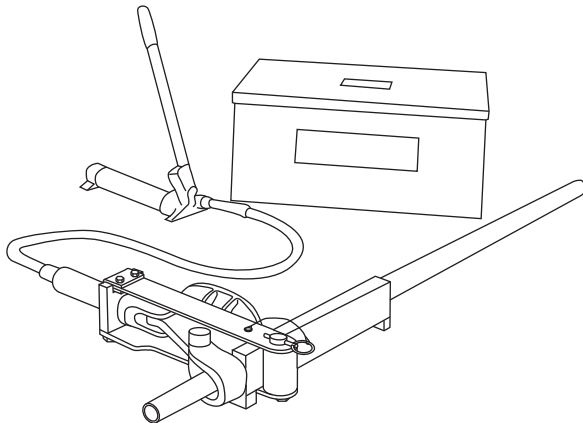
Mise en service

Remarque : Les sabots, rails suiveurs et étriers marqués « EMT » s'utilisent avec les conduits EMT seulement. Les pièces marquées « Rigid/IMC » s'utilisent avec les conduits rigides et IMC et les tuyaux de nomenclature 40.

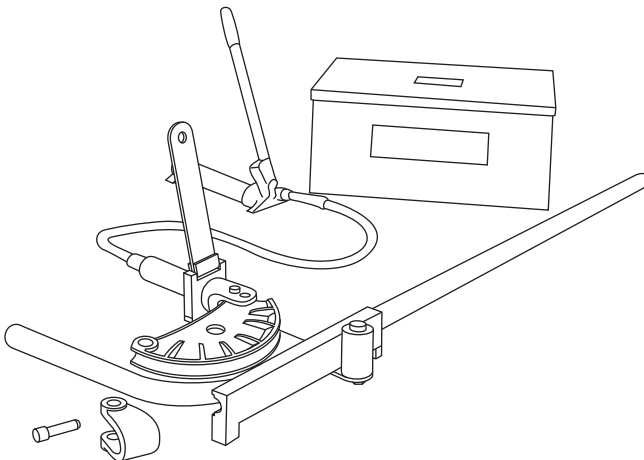
Placement du conduit



Prêt pour le cintrage



Cintrage terminé



1. Marquer le conduit. Voir les instructions sous « Préparation des cintrages » dans le présent manuel.
2. Sélectionner le sabot, le rail suiveur et l'étrier qui correspondent à la taille et au type de conduit.
3. Retirer la goupille de blocage du galet. Relever la plaque de raccordement supérieure. Retirer la broche de chape de la chape.
4. Mettre le sabot en place, marquage sur le dessus, avec le trou de 1 po de diamètre dans l'entrefer de la chape. Aligner le trou de 1 po du sabot avec le trou de la chape qui est :
 - du côté opposé au vérin s'il s'agit du sabot de 1-1/4 po ou 1-1/2 po
 - du côté du vérin s'il s'agit du sabot de 2 po
5. Enfiler la broche de chape à travers la chape et le sabot.
6. Placer le rail suiveur, pattes en bas, sur la plaque de raccordement inférieure.
7. Placer le conduit dans le rail suiveur. Glisser l'étrier par-dessus le conduit et l'attacher au sabot avec la broche d'étrier.
8. Abaisser la plaque de raccordement supérieure sur la l'axe du galet et remettre la goupille en place.
9. Aligner le repère de cintrage sur le conduit et le bord extérieur de l'étrier. Vérifier que les broches de chape et d'étrier sont engagées jusqu'au bout.
10. Raccorder le flexible hydraulique au vérin et à la pompe.

Remarque : Nettoyer les raccords rapides avant d'effectuer ces branchements. Serrer les raccords à fond à la main. Ne pas utiliser d'outil.

IMPORTANT

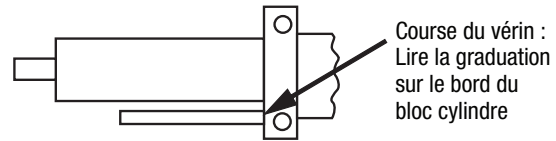
Suivre les instructions et les mesures de sécurité fournies avec la pompe hydraulique.

Mode d'emploi

Cintrage

- Desserrer l'écrou de l'échelle de course du vérin ; régler l'échelle graduée de course du vérin, qui se lit sur le bord du bloc, à zéro. Resserrer l'écrou. Voir l'illustration sous « Course du vérin pour les cintrages courants ».
- Actionner la pompe hydraulique pour déployer le vérin jusqu'à ce que le sabot touche le conduit et que le conduit soit au fond du rail suiveur. Vérifier que le repère de cintrage du conduit et le bord extérieur de l'étrier sont bien alignés.
Remarque : Si une pompe hydraulique est utilisée, se reporter aux instructions du manuel fourni avec la pompe.
- Voir la longueur de course nécessaire pour réaliser le cintrage dans la table de course du vérin.
- Actionner la pompe hydraulique pour faire avancer le vérin de la longueur de course indiquée.
- Libérer la pression au niveau de la pompe et amener le conduit jusqu'à la position de cintrage suivante.
Remarque : Pour réaliser un décalage, faire tourner le conduit de 180° avant d'effectuer le deuxième cintrage. Pour réaliser un dos d'âne à trois coudes, faire tourner le conduit de 180° avant d'effectuer les deuxième et troisième cintrages ; le deuxième coude est deux fois plus cintré et nécessite une course plus longue du vérin que les premier et troisième coudes. Pour réaliser un dos d'âne à 4 coudes, faire tourner le conduit avant d'effectuer les deuxième et quatrième cintrages.
- Répéter les étapes 2 à 5 jusqu'à ce que le dernier coude soit réalisé.
- Libérer la pompe hydraulique au niveau de la pompe. Retirer la goupille de blocage pour libérer la plaque de raccordement supérieure. Relever la plaque pour dégager le sabot, le rail suiveur et l'étrier.
- Enlever le conduit de la cintreuse.

Course du vérin pour les cintrages courants

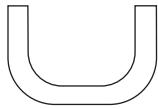


Course du vérin (approximative)			
Angle de cintrage	CONDUIT IMC/RIGIDE		
	1-1/4"	1-1/2"	2"
5°	2-1/8"	7/8"	13/16"
10°	2-3/8"	1-1/16"	1-1/16"
15°	2-5/8"	1-3/8"	1-7/16"
30°	3-5/16"	2-1/16"	2-1/2"
45°	4-1/8"	2-7/8"	3-9/16"
60°	4-15/16"	3-11/16"	4-5/8"
90°	6-1/4"	5-13/16"	6-11/16"
Angle de cintrage	CONDUIT EMT		
	1-1/4"	1-1/2"	2"
5°	2-1/16"	7/8"	1-3/8"
10°	2-1/4"	1-1/8"	1-5/8"
15°	2-7/16"	1-5/16"	1-7/8"
30°	3-1/8"	2-1/16"	2-5/8"
45°	3-7/8"	2-7/8"	3-3/8"
60°	4-5/8"	3-11/16"	4-3/16"
90°	6-3/16"	5-3/8"	5-1/2"

Remarque : Consulter la table qui correspond au type de conduit à cintrer. Trouver l'angle de cintrage dans la colonne de gauche et la taille de conduit à droite. La valeur indiquée dans la table est la longueur de course de vérin nécessaire.

Glossaire des termes de cintrage avec illustrations

1. **quantité de décalage** — distance dont un conduit ou un tuyau doit être dérouté pour éviter un obstacle ; voir *décalage* dans ce glossaire et les instructions de réalisation d'un décalage dans ce manuel

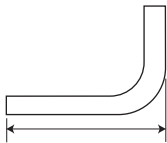


2. **cintre dos-à-dos** — tout cintrage en forme de U constitué de deux coudes de 90° parallèles avec une portion droite de conduit ou de tuyau entre les coudes

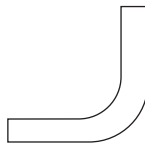
3. **distance centre à centre** — distance entre deux coudes successifs formant un décalage ou un dos d'âne à trois coudes

4. **profondeur de décalage** — synonyme de *quantité de décalage*

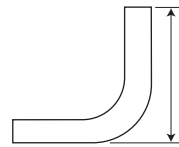
5. **hauteur de décalage** — synonyme de *quantité de décalage*



6. **longueur de branche** — distance entre l'extrémité d'une portion horizontale d'un conduit ou tuyau et le coude ; mesurée de l'extrémité à la ligne médiane, au bord intérieur ou au bord extérieur du conduit ou du tuyau



7. **coude à 90°** — tout coude qui change la direction du conduit ou tuyau de 90 degrés
8. **dia. ext.** — taille de tout conduit ou tuyau mesuré par son diamètre extérieur



9. **décalage** — deux coudes d'angles égaux ; s'utilise pour éviter un obstacle sur le passage du conduit ou tuyau

10. **course du vérin** — distance de déplacement du vérin d'une cintreuse hydraulique pour la réalisation d'un coude particulier ; la longueur de la course du vérin est proportionnelle à l'angle de cintrage

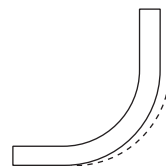
11. **élévation** — distance entre l'extrémité d'une portion verticale d'un conduit ou tuyau et le coude ; mesurée de l'extrémité à la ligne médiane, au bord intérieur ou au bord extérieur du conduit ou du tuyau

12. **retrait** — quantité de conduit « perdue » par la formation d'un décalage pour éviter un obstacle ; voir l'explication détaillée sous « Décalage » dans ce manuel

13. **retour élastique** — exprimé en degrés, mesure dans laquelle un conduit ou tuyau tend à se redresser après le cintrage.

14. **colonne** — synonyme d'*élévation*

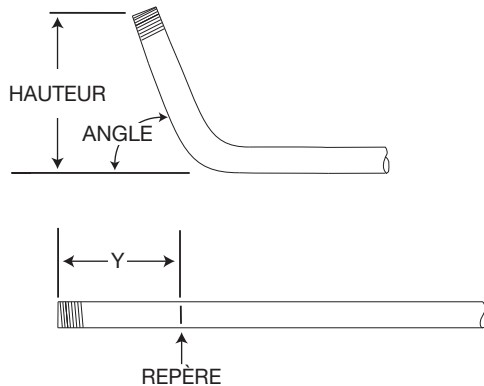
15. **colonne montante** — synonyme d'*élévation*



Préparation des cintrages

Les dessins et tables de cintrage qui suivent ont pour objet de fournir les renseignements nécessaires pour la réalisation des types de cintrage les plus courants. La « Table de données de cintrage spéciales » fournit des indications pour les dimensions de cintrage les plus couramment utilisées.

Colonnes



1. Sélectionner la taille et le type de conduit à cintrer. Déterminer la hauteur de la colonne et l'angle de cintrage.
2. Se reporter à la table qui correspond au type et à la taille de conduit sélectionnés à l'étape 1.
3. Sous la colonne ANGLE, trouver l'angle de cintrage souhaité.
4. Se reporter à la ligne marquée Y. Dans la ligne d'en-tête de la table, trouver la hauteur (H) de la colonne. La valeur indiquée à cette intersection est la dimension Y. Tracer le repère de cintrage à Y pouces de l'extrémité du conduit.
5. Voir les instructions de cintrage.

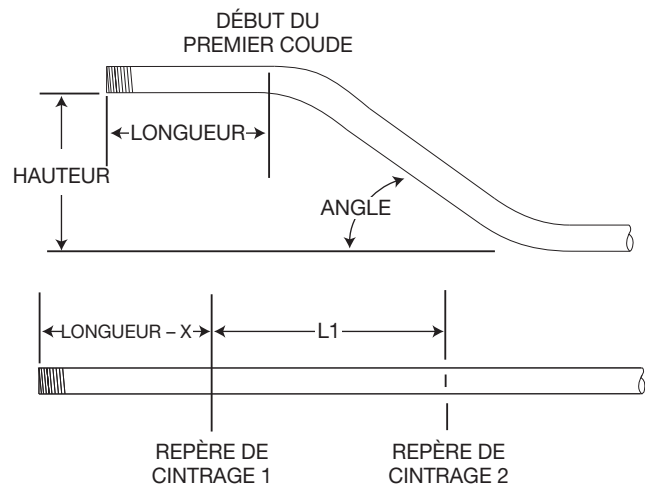
Décalage

Un décalage sert à faire passer le conduit autour d'un obstacle. Pour réaliser un décalage, deux cintrages égaux sont requis. La distance entre les deux coudes est la distance centre à centre. Elle est représentée par la grandeur L1 dans les tables de cintrage.

Pour réaliser un décalage après l'obstacle, il est nécessaire de déterminer l'emplacement du premier coude. La distance centre à centre est ensuite utilisée pour déterminer l'emplacement du deuxième coude.

Pour réaliser un décalage avant l'obstacle, il est nécessaire de déterminer l'emplacement du deuxième coude. La distance centre à centre est ensuite utilisée pour déterminer l'emplacement du premier coude.

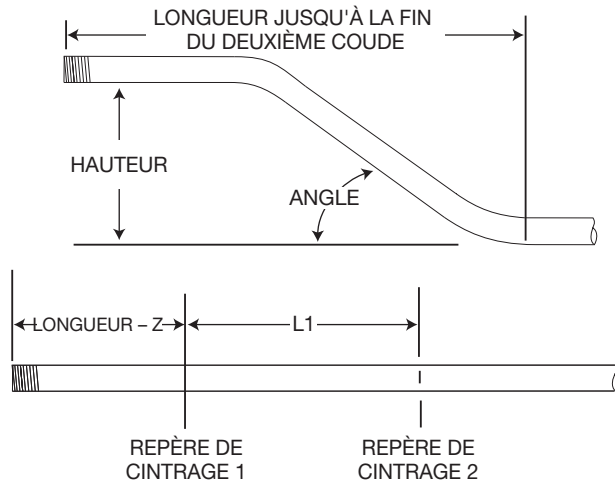
Décalages : Réalisation après un obstacle



1. Sélectionner la taille et le type de conduit à cintrer. Mesurer la hauteur de l'obstacle et la distance LONGUEUR. Sélectionner l'angle à utiliser.
2. Se reporter à la table qui correspond au type et à la taille de conduit sélectionnés à l'étape 1.
3. À droite de la taille et du type de conduit, trouver la dimension X. Retrancher X de la LONGUEUR. Placer le premier repère de cintrage (Repère de cintrage 1) à cette distance par rapport à l'extrémité du conduit.
4. Sous la colonne ANGLE, trouver l'angle de cintrage souhaité. Se reporter à la ligne marquée L1. Dans la ligne d'en-tête de la table, trouver la hauteur (H) du décalage. La valeur indiquée à cette intersection est la dimension L1. Placer le deuxième repère de cintrage (Repère de cintrage 2) à L1 pouces du premier repère de cintrage.
5. Voir les instructions de cintrage.

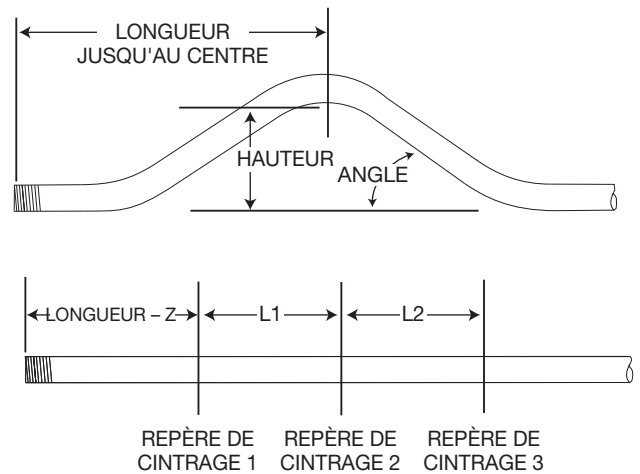
Préparation des cintrages (suite)

Décalages : Réalisation avant un obstacle



1. Sélectionner la taille et le type de conduit à cintrer. Mesurer la hauteur de l'obstacle et la distance **LONGUEUR JUSQU'À LA FIN DU DEUXIÈME COUDE**. Sélectionner l'angle à utiliser.
2. Se reporter à la table qui correspond au type et à la taille de conduit sélectionnés à l'étape 1.
3. Sous la colonne **ANGLE**, trouver l'angle de cintrage souhaité. Se reporter à la ligne marquée **Z**. Dans la ligne d'en-tête de la table, trouver la hauteur (**H**) du décalage. La valeur indiquée à cette intersection est la dimension **Z**. Retrancher **Z** de la **LONGUEUR JUSQU'À LA FIN DU DEUXIÈME COUDE**. Placer le premier repère de cintrage à cette distance par rapport à l'extrémité du conduit.
4. Dans la même colonne, se reporter à la ligne marquée **L1**. Placer le deuxième repère de cintrage à **L1** pouces du premier repère de cintrage.
5. Voir les instructions de cintrage.

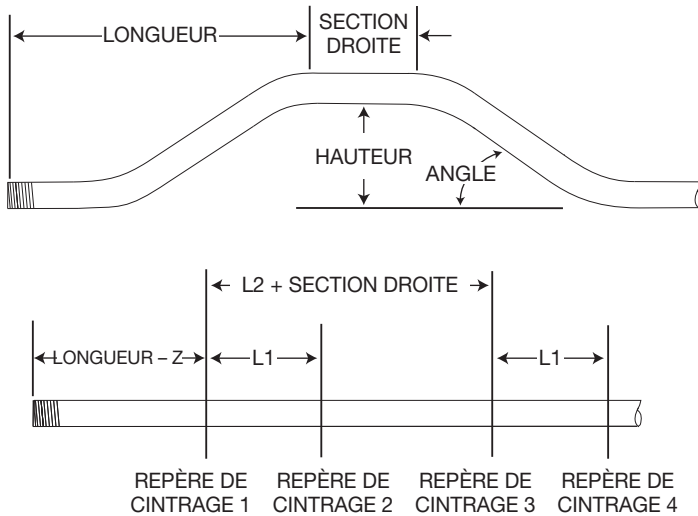
Dos d'âne à trois coudes



1. Sélectionner la taille et le type de conduit à cintrer. Mesurer la hauteur de l'obstacle et la distance de l'extrémité du conduit au centre (**LONGUEUR JUSQU'AU CENTRE**) du coude. Sélectionner l'angle à utiliser.
Remarque : Le deuxième coude est deux fois plus cintré (en degrés) que les premier et troisième coudes.
2. Se reporter à la table qui correspond au type et à la taille de conduit sélectionnés à l'étape 1.
3. Sous la colonne **ANGLE**, trouver l'angle de cintrage nécessaire. Se reporter à la ligne marquée **Z**. Dans la ligne d'en-tête de la table, trouver la hauteur (**H**) du décalage. La valeur indiquée à cette intersection est **Z**. Retrancher **Z** de la valeur **LONGUEUR JUSQU'AU CENTRE**. Placer le premier repère de cintrage à cette distance par rapport à l'extrémité du conduit.
4. Dans la même colonne, se reporter à la ligne marquée **L1**. Placer le deuxième repère de cintrage à **L1** pouces du premier repère de cintrage.
5. Dans la même colonne, se reporter à la ligne marquée **L2**. Placer le troisième repère de cintrage à **L2** pouces du deuxième repère de cintrage.
6. Voir les instructions de cintrage.

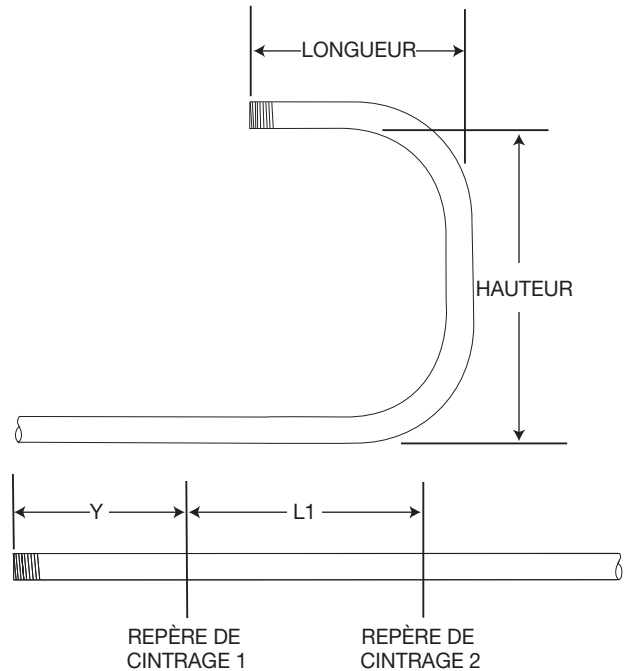
Préparation des cintrages (suite)

Dos d'âne à quatre coudes



1. Sélectionner la taille et le type de conduit à cintrer. Mesurer la hauteur de l'obstacle, la distance LONGUEUR et la distance SECTION DROITE. Sélectionner l'angle à utiliser.
2. Se reporter à la table qui correspond au type et à la taille de conduit sélectionnés à l'étape 1.
3. Sous la colonne ANGLE, trouver l'angle de cintrage nécessaire. Se reporter à la ligne marquée Z. Dans la ligne d'en-tête de la table, trouver la hauteur (H) du décalage. La valeur indiquée à cette intersection est Z. Retrancher Z de la valeur LONGUEUR. Placer le premier repère de cintrage à cette distance par rapport à l'extrémité du conduit.
4. Dans la même colonne, se reporter à la ligne marquée L1. Placer le deuxième repère de cintrage à L1 pouces du premier repère de cintrage.
5. Dans la même colonne, se reporter à la ligne marquée L2. Ajouter L2 à la valeur SECTION DROITE. Placer le troisième repère de cintrage à cette distance par rapport au premier repère de cintrage.
6. Placer le dernier repère de cintrage à L1 pouces du troisième repère de cintrage.
7. Voir les instructions de cintrage.

Cintrages en U



1. Sélectionner la taille et le type de conduit à cintrer. Déterminer la LONGUEUR et la HAUTEUR.
2. Se reporter à la table qui correspond au type et à la taille de conduit sélectionnés à l'étape 1.
3. Sous la colonne ANGLE, trouver 90°.
4. Se reporter à la ligne marquée Y. Dans la ligne d'en-tête de la table, trouver la hauteur (H) qui correspond à la valeur LONGUEUR. La valeur indiquée à cette intersection est la dimension Y. Tracer le repère de cintrage à Y pouces de l'extrémité du conduit.
5. Se reporter à la ligne L1, puis se déplacer vers la droite jusqu'à la hauteur (H) qui correspond à la valeur HAUTEUR. La valeur indiquée à cette intersection est la dimension L1. Placer le deuxième repère de cintrage à L1 pouces du premier repère.
6. Voir les instructions de cintrage.

Table de données de cintrage spéciales

		HAUTEUR (H)									
DIM	ANGLE	2"	4"	6"	8"	10"	12"	15"	18"	24"	36"
1-1/4 EMT		Dia. = 1,51		Rayon = 7,43		X = 3,42					
Y	15,00	0,41	8,14	15,87	23,59	31,32	39,05	50,64	62,23	85,41	131,78
L1	15,00	7,72	15,44	23,17	30,90	38,63	46,35	57,94	69,54	92,72	139,08
L2	15,00	9,66	17,39	25,12	32,84	40,57	48,30	59,89	71,48	94,66	141,03
Z	15,00	12,84	20,30	27,77	35,23	42,70	50,16	61,36	72,55	94,95	139,73
H MINIMUM=1,39											
Y	22,50		3,58	8,81	14,03	19,26	24,49	32,33	40,17	55,84	87,20
L1	22,50		10,41	15,64	20,87	26,09	31,32	39,16	47,00	62,68	94,03
L2	22,50		13,33	18,56	23,78	29,01	34,24	42,08	49,92	65,59	96,95
Z	22,50		16,03	20,86	25,69	30,52	35,35	42,59	49,83	64,32	93,29
H MINIMUM=2,44											
Y	30,00		1,08	5,08	9,08	13,08	17,08	23,08	29,08	41,08	65,08
L1	30,00		7,91	11,91	15,91	19,91	23,91	29,91	35,91	47,91	71,91
L2	30,00		11,80	15,80	19,80	23,80	27,80	33,80	39,80	51,80	75,80
Z	30,00		14,33	17,79	21,26	24,72	28,19	33,38	38,58	48,97	69,76
H MINIMUM=3,70											
Y	45,00			0,92	3,75	6,58	9,41	13,65	17,89	26,38	43,35
L1	45,00				10,99	13,82	16,65	20,89	25,14	33,62	50,59
L2	45,00				16,83	19,66	22,49	26,73	30,97	39,46	56,43
Z	45,00				17,58	19,58	21,58	24,58	27,58	33,58	45,58
H MINIMUM=6,77											
Y	60,00				0,66	2,97	5,27	8,74	12,20	19,13	32,99
L1	60,00						13,06	16,52	19,99	26,91	40,77
L2	60,00						20,84	24,30	27,77	34,69	48,55
Z	60,00						18,93	20,66	22,39	25,86	32,78
H MINIMUM=10,39											
Y	90,00						0,40	3,40	6,40	12,40	24,39
L1	90,00									20,81	32,81
L2	90,00									32,48	44,48
Z	90,00									18,28	18,28
H MINIMUM=18,28											
1-1/2 EMT		Dia. = 1.74		Radius = 8.3		X = 3.82					
Y	15,00		7,18	14,91	22,64	30,36	38,09	49,68	61,27	84,45	130,82
L1	15,00	7,71	15,44	23,17	30,90	38,62	46,35	57,94	69,53	92,72	139,08
L2	15,00	9,89	17,62	25,34	33,07	40,80	48,52	60,12	71,71	94,89	141,25
Z	15,00	13,47	20,93	28,40	35,86	43,33	50,79	61,99	73,18	95,57	140,36
H MINIMUM=1,55											
Y	22,50		2,71	7,93	13,16	18,39	23,61	31,45	39,29	54,97	86,33
L1	22,50		10,41	15,64	20,86	26,09	31,31	39,15	46,99	62,67	94,03
L2	22,50		13,67	18,90	24,12	29,35	34,57	42,41	50,25	65,93	97,29
Z	22,50		16,78	21,61	26,44	31,26	36,09	43,34	50,58	65,06	94,03
H MINIMUM=2,73											
Y	30,00		0,22	4,22	8,22	12,22	16,22	22,22	28,22	40,22	64,22
L1	30,00			11,90	15,90	19,90	23,90	29,90	35,90	47,90	71,90
L2	30,00			16,24	20,24	24,24	28,24	34,24	40,24	52,24	76,24
Z	30,00			18,66	22,12	25,59	29,05	34,25	39,44	49,84	70,62
H MINIMUM=4,13											
Y	45,00			0,00	2,83	5,65	8,48	12,72	16,97	25,45	42,42
L1	45,00				10,96	13,78	16,61	20,86	25,10	33,58	50,55
L2	45,00				17,48	20,30	23,13	27,37	31,62	40,10	57,07
Z	45,00				18,70	20,70	22,70	25,70	28,70	34,70	46,70
H MINIMUM=7,56											
Y	60,00					1,93	4,24	7,70	11,17	18,10	31,95
L1	60,00						12,96	16,43	19,89	26,82	40,68
L2	60,00						21,66	25,12	28,58	35,51	49,37
Z	60,00						20,33	22,06	23,80	27,26	34,19
H MINIMUM=11,61											
Y	90,00							2,01	5,01	11,01	23,01
L1	90,00									20,44	32,44
L2	90,00									33,48	45,48
Z	90,00									20,42	20,42
H MINIMUM=20,42											

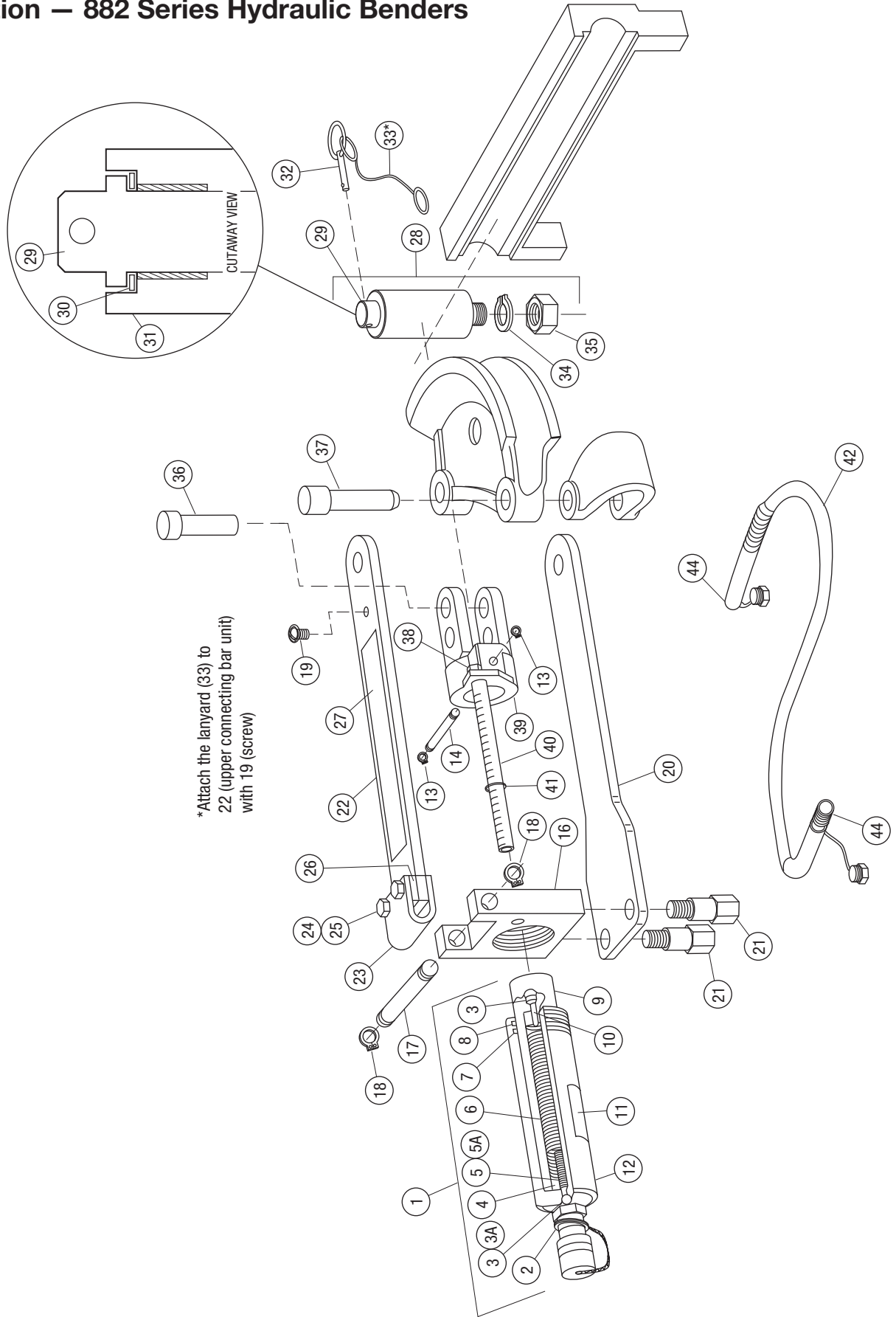
Table de données de cintrage spéciales (suite)

DIM	ANGLE	HAUTEUR (H)										
		2"	4"	6"	8"	10"	12"	15"	18"	24"	36"	
2 EMT		Dia. = 2,2		Rayon = 9,59		X = 3,93						
Y	15,00		6,01	13,74	21,47	29,19	36,92	48,51	60,10	83,29	129,65	
L1	15,00	7,71	15,44	23,17	30,90	38,62	46,35	57,94	69,53	92,71	139,08	
L2	15,00	10,22	17,95	25,68	33,41	41,13	48,86	60,45	72,04	95,23	141,59	
Z	15,00	13,92	21,38	28,85	36,31	43,78	51,24	62,44	73,63	96,02	140,81	
H MINIMUM=1,67												
Y	22,50		1,74	6,97	12,19	17,42	22,65	30,48	38,32	54,00	85,36	
L1	22,50		10,40	15,63	20,86	26,08	31,31	39,15	46,99	62,67	94,02	
L2	22,50		14,17	19,40	24,62	29,85	35,07	42,91	50,75	66,43	97,79	
Z	22,50		17,40	22,23	27,06	31,89	36,72	43,96	51,20	65,69	94,66	
H MINIMUM=2,96												
Y	30,00			3,30	7,30	11,30	15,30	21,30	27,30	39,30	63,30	
L1	30,00			11,88	15,88	19,88	23,88	29,88	35,88	47,88	71,88	
L2	30,00			16,90	20,90	24,90	28,90	34,90	40,90	52,90	76,90	
Z	30,00			19,46	22,93	26,39	29,85	35,05	40,25	50,64	71,42	
H MINIMUM=4,53												
Y	45,00				1,86	4,68	7,51	11,76	16,00	24,48	41,45	
L1	45,00					13,73	16,56	20,80	25,04	33,53	50,50	
L2	45,00					21,26	24,09	28,33	32,58	41,06	58,03	
Z	45,00					21,87	23,87	26,87	29,87	35,87	47,87	
H MINIMUM=8,40												
Y	60,00					0,81	3,12	6,58	10,05	16,98	30,83	
L1	60,00							16,29	19,75	26,68	40,54	
L2	60,00							26,33	29,80	36,72	50,58	
Z	60,00							23,66	25,40	28,86	35,79	
H MINIMUM=12,99												
Y	90,00							0,38	3,38	9,38	21,38	
L1	90,00									19,88	31,88	
L2	90,00									34,95	46,95	
Z	90,00									23,11	23,11	
H MINIMUM= 23,11												
1-1/4 IMC/RIGIDE		Dia. = 1,66		Radius = 7,47		X = 3,95						
Y	15,00		7,31	15,04	22,77	30,50	38,22	49,82	61,41	84,59	130,95	
L1	15,00	7,72	15,44	23,17	30,90	38,63	46,35	57,94	69,54	92,72	139,08	
L2	15,00	9,67	17,40	25,13	32,85	40,58	48,31	59,90	71,49	94,67	141,04	
Z	15,00	13,38	20,85	28,31	35,77	43,24	50,70	61,90	73,09	95,49	140,27	
H MINIMUM=1,53												
Y	22,50		2,85	8,07	13,30	18,53	23,75	31,59	39,43	55,11	86,47	
L1	22,50		10,41	15,64	20,87	26,09	31,32	39,16	47,00	62,68	94,03	
L2	22,50		13,35	18,57	23,80	29,03	34,25	42,09	49,93	65,61	96,97	
Z	22,50		16,58	21,41	26,24	31,06	35,89	43,13	50,38	64,86	93,83	
H MINIMUM=2,65												
Y	30,00		0,39	4,39	8,39	12,39	16,39	22,39	28,39	40,39	64,39	
L1	30,00		7,91	11,91	15,91	19,91	23,91	29,91	35,91	47,91	71,91	
L2	30,00		11,82	15,82	19,82	23,82	27,82	33,82	39,82	51,82	75,82	
Z	30,00		14,88	18,35	21,81	25,27	28,74	33,93	39,13	49,52	70,31	
H MINIMUM=3,98												
Y	45,00			0,27	3,10	5,92	8,75	13,00	17,24	25,72	42,69	
L1	45,00				10,99	13,82	16,65	20,89	25,13	33,62	50,59	
L2	45,00				16,86	19,69	22,52	26,76	31,00	39,49	56,46	
Z	45,00				18,14	20,14	22,14	25,14	28,14	34,14	46,14	
H MINIMUM=7,17												
Y	60,00				0,02	2,33	4,64	8,10	11,56	18,49	32,35	
L1	60,00						13,05	16,52	19,98	26,91	40,77	
L2	60,00						20,88	24,34	27,80	34,73	48,59	
Z	60,00						19,50	21,24	22,97	26,43	33,36	
H MINIMUM=10,90												
Y	90,00							2,75	5,75	11,75	23,75	
L1	90,00									20,79	32,79	
L2	90,00									32,53	44,53	
Z	90,00									18,89	18,89	
H MINIMUM=18,89												

Table de données de cintrage spéciales (suite)

	DIM	ANGLE	HAUTEUR (H)									
			2"	4"	6"	8"	10"	12"	15"	18"	24"	36"
1-1/2 IMC/RIGIDE			Dia. = 1,9		Rayon = 8,5			X = 4,05				
	Y	15,00		6,62	14,34	22,07	29,80	37,52	49,12	60,71	83,89	130,25
	L1	15,00	7,71	15,44	23,17	30,90	38,62	46,35	57,94	69,53	92,72	139,08
	L2	15,00	9,94	17,67	25,39	33,12	40,85	48,58	60,17	71,76	94,94	141,31
	Z	15,00	13,75	21,22	28,68	36,14	43,61	51,07	62,27	73,46	95,86	140,64
H MINIMUM=1,63												
	Y	22,50		2,23	7,46	12,68	17,91	23,13	30,97	38,81	54,49	85,85
	L1	22,50		10,41	15,64	20,86	26,09	31,31	39,15	46,99	62,67	94,03
	L2	22,50		13,75	18,97	24,20	29,43	34,65	42,49	50,33	66,01	97,37
	Z	22,50		17,09	21,92	26,75	31,57	36,40	43,64	50,89	65,37	94,34
H MINIMUM=2,84												
	Y	30,00			3,77	7,77	11,77	15,77	21,77	27,77	39,77	63,77
	L1	30,00			11,90	15,90	19,90	23,90	29,90	35,90	47,90	71,90
	L2	30,00			16,35	20,35	24,35	28,35	34,35	40,35	52,35	76,35
	Z	30,00			19,00	22,46	25,93	29,39	34,59	39,78	50,17	70,96
H MINIMUM=4,30												
	Y	45,00				2,40	5,23	8,06	12,30	16,54	25,03	42,00
	L1	45,00				10,95	13,78	16,60	20,85	25,09	33,58	50,55
	L2	45,00				17,62	20,45	23,28	27,52	31,77	40,25	57,22
	Z	45,00				19,09	21,09	23,09	26,09	29,09	35,09	47,09
H MINIMUM=7,84												
	Y	60,00					1,49	3,80	7,27	10,73	17,66	31,51
	L1	60,00						12,94	16,41	19,87	26,80	40,66
	L2	60,00						21,84	25,31	28,77	35,70	49,56
	Z	60,00						20,79	22,53	24,26	27,72	34,65
H MINIMUM=12,01												
	Y	90,00							1,50	4,50	10,50	22,50
	L1	90,00									20,35	32,35
	L2	90,00									33,70	45,70
	Z	90,00									21,05	21,05
H MINIMUM=21,05												
2 IMC/RIGIDE			Dia. = 2,375		Radius = 9,14			X = 4,6				
	Y	15,00		5,06	12,79	20,52	28,25	35,97	47,56	59,16	82,34	128,70
	L1	15,00	7,71	15,44	23,17	30,90	38,62	46,35	57,94	69,53	92,72	139,08
	L2	15,00	10,11	17,83	25,56	33,29	41,02	48,74	60,33	71,93	95,11	141,47
	Z	15,00	14,47	21,93	29,40	36,86	44,33	51,79	62,99	74,18	96,58	141,36
H MINIMUM=1,81												
	Y	22,50		0,93	6,16	11,38	16,61	21,84	29,68	37,52	53,19	84,55
	L1	22,50		10,41	15,63	20,86	26,08	31,31	39,15	46,99	62,67	94,03
	L2	22,50		13,99	19,22	24,45	29,67	34,90	42,74	50,58	66,26	97,61
	Z	22,50		17,89	22,72	27,55	32,38	37,21	44,45	51,69	66,18	95,15
H MINIMUM=3,15												
	Y	30,00			2,58	6,58	10,58	14,58	20,58	26,58	38,58	62,58
	L1	30,00			11,89	15,89	19,89	23,89	29,89	35,89	47,89	71,89
	L2	30,00			16,67	20,67	24,67	28,67	34,67	40,67	52,67	76,67
	Z	30,00			19,89	23,35	26,82	30,28	35,48	40,68	51,07	71,85
H MINIMUM=4,75												
	Y	45,00				1,25	4,08	6,91	11,15	15,39	23,88	40,85
	L1	45,00					13,75	16,58	20,82	25,06	33,55	50,52
	L2	45,00					20,93	23,76	28,00	32,24	40,73	57,70
	Z	45,00					22,17	24,17	27,17	30,17	36,17	48,17
H MINIMUM=8,61												
	Y	60,00					0,30	2,61	6,07	9,54	16,46	30,32
	L1	60,00							16,34	19,80	26,73	40,59
	L2	60,00							25,91	29,37	36,30	50,16
	Z	60,00							23,81	25,55	29,01	35,94
H MINIMUM=13,12												
	Y	90,00							0,07	3,07	9,07	21,07
	L1	90,00									20,08	32,08
	L2	90,00									34,43	46,43
	Z	90,00									22,88	22,88
H MINIMUM=22,88												

Illustration – 882 Series Hydraulic Benders



Parts List — 882 Hydraulic Bender

Key	Part No.	Description	Qty
	50295365	882CB Hydraulic Bender for 1-1/4"-2" EMT, IMC, Rigid Conduit, and Schedule 40 Pipe; includes items 1-44 and all shoe groups on the following page	
	50151282	882CB Hydraulic Bender for 1-1/4"-2" EMT Conduit; includes items 1-44 and the EMT shoe groups on the following page	
1	50151290	Ram, 12-ton model 1738 (consists of items 2-14)	1
2	90508076	Coupler, quick, 3/8" female	1
3*	50134965	Washer, flat, .321 x .460 x .040 nylon (used since 12/96)	2
3A*	50034200	Washer, flat, .321 x .428 x .040 nylon (used before 12/96)	1
4	50034774	Retainer, spring	2
5	50017179	Screw, rear spring retainer (used since 12/96)	1
5A	50113410	Screw, rear spring retainer (used before 12/96)	1
6	50151320	Spring, extension, .820 x 1.11 x 8.43	1
7*	90511336	O-ring, 1.75 x 2.125 x .187	1
8*	90517520	Backup ring, single turn 1.76 x 2.125 x .0781	1
9	50151312	Piston	1
10	90502264	Screw, front spring retainer	1
11	50121219	Decal, safety	1
12	50151304	Cylinder	1
13	90504348	Ring, retaining, 5/16	1
14	50151517	Pin, piston	1
	50165631	Frame unit (includes items 16- 35)	1
16	50151495	Block, cylinder	1
17	50151509	Pin, hinge	1
18	90502833	Ring, retaining, 3/4"	2
19	90524012	Screw, machine #10-32 x 3/8 slotted pan head	1
20	50151355	Bar, connecting lower	1
21	50151479	Stud, anchor, 5/8-11 x 3.06	2
22	50151363	Bar unit, connecting upper (consists of items 22-27)	1
23	50151371	Bracket, hinge	1
24	90505468	Screw, cap, 1/2-13 x 1.75 hex head	2
25	90506405	Nut, hex, 1/2-13 hex	2
26		Spacer, hinge	1
27	50299409	Decal, ram travel	1
28	50387782	Roller unit with pin (includes items 29-35)	1
29	50387715	Shaft, roller	1
30	90540301	Washer, thrust, 1.00 x 1.56 x .032	1
31	50247271	Roller, 1.00 x 2.50 x 4.00	1
32	90543033	Pin, hitch, .375 x 1.50	1
33	90541796	Lanyard	1
34	90513010	Ring, retaining, .987	1
35	90543041	Nut, hex, 1-14 lock	1
36	50040863	Pin, yoke, .995 x 3.62	1
37	50299379	Pin, saddle, .620 x 5.00	1
38	90508483	Nut, hex, 3/8-24 light jam	1
39	50151452	Yoke	1
40	50219545	Scale, ram travel	1
41	90528670	O-ring, .437 x .625 x .093	1
42	50112899	Hose unit, 3/8" x 6' with couplers (consists of 43 and 44)	1
43	90507606	Hose, 3/8 x 6'	1
44	90508238	Coupler, quick, 3/8" male	2

* Item 3 is larger than item 3A; use item 3 if possible.

	50232746	Box, steel storage (not pictured)	1
*	50293486	Kit, repair, for 1738 hydraulic ram (contains items with *)	

Shoe Groups

Cat. No.	Part No.	Description	Qty
T-G7	50025449	Shoe Group for 1-1/4" EMT	
		(consists of the following three items)	1
	50111469	Shoe (7-7/32" centerline bending radius)	1
	50110756	Saddle.....	1
	50111264	Follow bar	1
T-G8	50025457	Shoe Group for 1-1/2" EMT	
		(consists of the following three items)	1
	50142879	Shoe (8-1/16" centerline bending radius)	1
	50110721	Saddle.....	1
	50111078	Follow bar	1
T-G9	50025465	Shoe Group for 2" EMT	
		(consists of the following three items)	1
	50111329	Shoe (9-5/16" centerline bending radius)	1
	50142798	Saddle.....	1
	50110896	Follow bar	1
RI-G20	50299468	Shoe Group for 1-1/4" Rigid/IMC	
		(consists of the following three items)	1
	50294741	Shoe (7-1/4" centerline bending radius)	1
	50294652	Saddle.....	1
	50294776	Follow bar	1
RI-G24	50299492	Shoe Group for 1-1/2" Rigid/IMC	
		(consists of the following four items)	1
	50294709	Shoe (8-1/4" centerline bending radius)	1
	50294644	Saddle.....	1
	50294725	Follow bar	1
	50299379	Saddle pin.....	1
RI-G32	50299506	Shoe Group for 2" Rigid/IMC	
		(consists of the following four items)	1
	50294660	Shoe (8-7/8" centerline bending radius)	1
	50294636	Saddle.....	1
	50294687	Follow bar	1
	50299379	Saddle pin.....	1

Attachment Groups

Rigid/IMC Shoes, Saddles, and Follow Bars: Turn an 882 into an 882CB

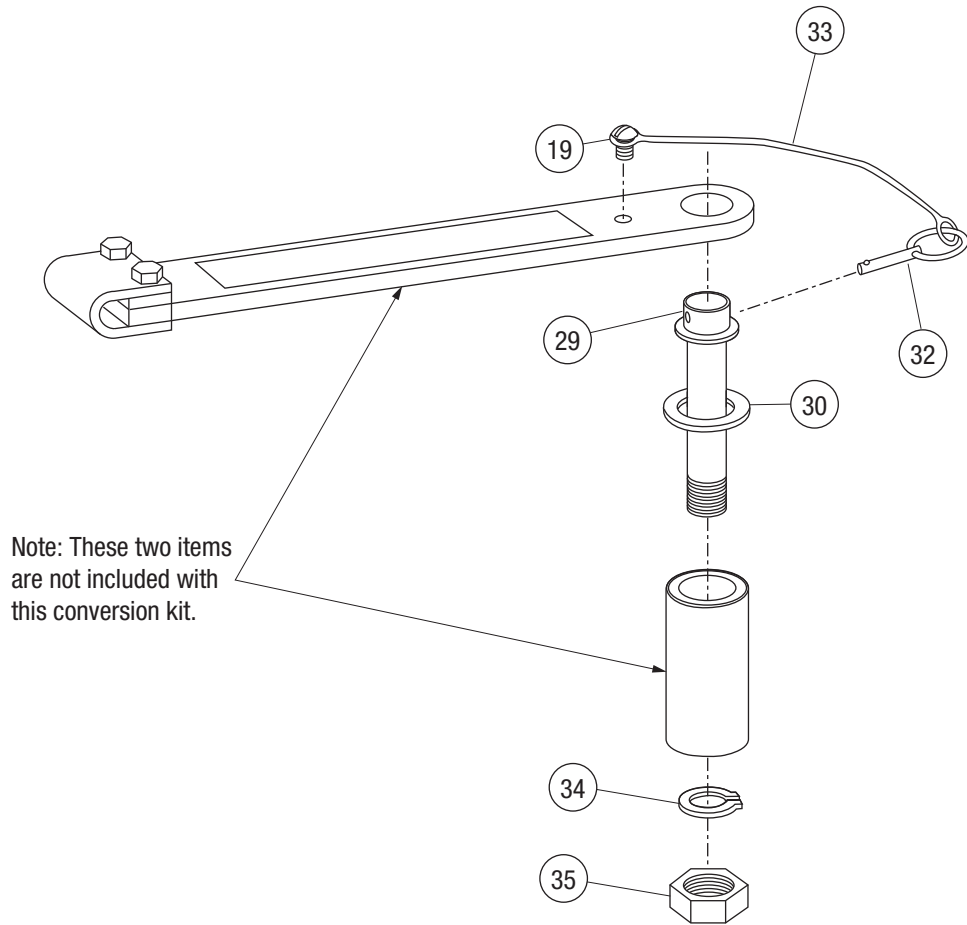
882RIG1	50299484	Attachment Group for 1-1/4"-2" Rigid/IMC	
for 1-1/4"	50294741	Shoe (7-1/4" centerline bending radius)	1
	50294652	Saddle.....	1
	50294776	Follow bar	1
for 1-1/2"	50294709	Shoe (8-1/4" centerline bending radius)	1
	50294644	Saddle.....	1
	50294725	Follow bar	1
for 2"	50294660	Shoe (8-7/8" centerline bending radius)	1
	50294636	Saddle.....	1
	50294687	Follow bar	1
for all sizes	50299379	Saddle pin.....	1

EMT Shoes, Saddles, and Follow Bars: Turn an 882RI into an 882CB

882T-G1	50299476	Attachment Group for 1-1/4"-2" EMT	
for 1-1/4"	50111469	Shoe (7-7/32" centerline bending radius)	1
	50110756	Saddle.....	1
	50111264	Follow bar	1
for 1-1/2"	50142879	Shoe (8-1/16" centerline bending radius)	1
	50110721	Saddle.....	1
	50111078	Follow bar	1
for 2"	50111329	Shoe (9-5/16" centerline bending radius)	1
	50142798	Saddle.....	1
	50110896	Follow bar	1

Illustration and Parts List — 50394479 Conversion Kit

Converts to the newer Roller Pin Unit (for models manufactured before January 1994)



Key	Part No.	Description	Qty
	50394479	Roller Pin Conversion Kit	
19	90524012	Screw, machine #10-32 x 3/8 slotted pan head	1
29	50387715	Shaft, roller	1
30	90540301	Washer, thrust, 1.00 x 1.56 x .032	1
32	90543033	Pin, hitch, .375 x 1.50	1
33	90541796	Lanyard	1
34	90513010	Ring, retaining, .987	1
35	90543041	Nut, hex, 1-14 lock.....	1



4455 Boeing Drive • Rockford, IL 61109-2988 • USA • 815-397-7070
An ISO 9001 Company • Greenlee Textron Inc. is a subsidiary of Textron Inc.
www.greenlee.com

USA Tel: 800-435-0786
Fax: 800-451-2632

Canada Tel: 800-435-0786
Fax: 800-524-2853

International Tel: +1-815-397-7070
Fax: +1-815-397-9247