

# StackLight™ 102 Series

Edwards 102 Series StackLight is a unique audible-visual signaling device that may contain up to five light modules and a pulsating horn in a single, integrated stack. Two optional sounder modules are also available. The Tripliptical diffusion optic lens allows viewing from close up while still projecting the light through use of a built-in projection ring.

The lens modules are available with LED, Incandescent, Halogen or Strobe light sources. Options for steady-on or flashing are available. The 102 Series offers a shorter base for panel or conduit mounting as well as a taller base, designed for use with a sounder module.

## Features and Specifications

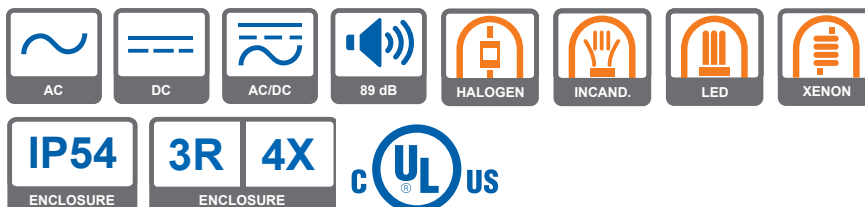
- LED, Incandescent, Halogen and Strobe light source
- Steady-on or flashing
- Six lens colors available
- Two optional IP54 sounders available:
  - Single tone module
  - Multi-tone module, eight available tones
- Sounder modules provide 89dB @ 1 meter/ 79dB @ 10ft.
- Base and light modules are IP65 rated
- Suitable for indoor and outdoor applications
- Option for panel or conduit mounting
- NEMA Type 3R and 4X enclosure
- Optional mounting not included



## Ordering Information

Description	Cat. No.	Operating Voltage	Current <sup>1</sup>
Base Unit - Use with optional tone module	<b>102TBS-N5</b>	120V AC	0.60 A
	<b>102TBS-G1</b>	24V DC	1.75 A
Mini base for direct panel mount	<b>102DMBS-N5</b>	120V AC	0.60 A
	<b>102DMBS-G1</b>	24V DC	1.75 A
Mini base for 3/4" (19mm) conduit mount	<b>102PMBS-N5</b>	120V AC	0.60 A
	<b>102PMBS-G1</b>	24V DC	1.75 A

<sup>1</sup>Currents shown are for a stackable with 5 light modules.



# StackLight™ 102 Series

Ordering Information		Continued							
Description	Cat. No.	Operating Voltage	Current	Lens/LED Colors	Peak Candela	Lamp Ratings	Lamp Life Calculated <sup>2</sup>	Lamp Life Projected <sup>3</sup>	Replacement Lamp
Lens Module	102LM-A	—	—	Amber	—	—	—	—	—
	102LM-B	—	—	Blue	—	—	—	—	—
	102LM-C	—	—	Clear	—	—	—	—	—
	102LM-G	—	—	Green	—	—	—	—	—
	102LM-R	—	—	Red	—	—	—	—	—
	102LM-Y	—	—	Yellow	—	—	—	—	—
Steady-on Halogen	102LS-SINH-N5	120V AC	0.11 A	—	879	12 Watts	20,000 hr.	—	50LMP-12WH
	102LS-SINH-G1	24V DC	0.32 A	—	653	9 Watts	12,000 hr.	—	50LMP-9WH
Steady-on Incandescent	102LS-SIN-N5	120V AC	0.08 A	—	829	10 Watts	2,500 hr.	—	50LMP-10W
	102LS-SIN-G1	24V DC	0.32 A	—	829	10 Watts	10,000 hr.	—	Ind. Trade 303 <sup>5</sup>
Flashing Halogen	102LS-FINH-N5	120V AC	0.11 A	—	879	12 Watts	20,000 hr.	25,000 hr.	50LMP-12WH
	102LS-FINH-G1	24V DC	0.32 A	—	653	9 Watts	12,000 hr.	15,000 hr.	50LMP-9WH
Flashing Incandescent	102LS-FIN-N5	120V AC	0.08 A	—	829	10 Watts	2,500 hr.	3,000 hr.	50LMP-10W
	102LS-FIN-G1	24V DC	0.32 A	—	829	10 Watts	10,000 hr.	12,500 hr.	Ind. Trade 303 <sup>5</sup>
Strobe	102LS-ST-N5	120V AC	0.12 A	—	300,000	3 Joule	3,000 hr. <sup>4</sup>	—	—
	102LS-ST-G1	24V DC	0.30 A	—	300,000	3 Joule	3,000 hr. <sup>4</sup>	—	—
Steady-on LED	102LS-SLEDA-N5 <sup>1</sup>	120V AC	0.022 A	Amber	—	—	120,000 hr.	—	—
	102LS-SLEDA-G1 <sup>1</sup>	24V DC	0.062 A						
	102LS-SLEDB-N5 <sup>1</sup>	120V AC	0.022 A	Blue	—	—	120,000 hr.	—	—
	102LS-SLEDB-G1 <sup>1</sup>	24V DC	0.062 A						
	102LS-SLEDG-N5 <sup>1</sup>	120V AC	0.022 A	Green	—	—	120,000 hr.	—	—
	102LS-SLEDG-G1 <sup>1</sup>	24V DC	0.062 A						
	102LS-SLEDR-N5 <sup>1</sup>	120V AC	0.022 A	Red	—	—	120,000 hr.	—	—
	102LS-SLEDR-G1 <sup>1</sup>	24V DC	0.062 A						
	102LS-SLEDW-N5 <sup>1</sup>	120V AC	0.022 A	Clear/ White	—	—	120,000 hr.	—	—
	102LS-SLEDW-G1 <sup>1</sup>	24V DC	0.062 A						

<sup>1</sup>NOTE: LED light sources must be used with the corresponding color lens module (e.g., a blue LED light source, 102LS-SLEDB-G1, must be used with a blue lens, 102LM-B).

<sup>2</sup>At nominal operating voltage.

<sup>3</sup>Projected lamp life based on manufacturer's calc. lamp life @ 65 fpm and 50% duty cycle.

<sup>4</sup>Strobe tube life @ operating power to 75% efficiency.

<sup>5</sup>User supplied

# StackLight™ 102 Series

Ordering Information		Continued							
Description	Cat. No.	Operating Voltage	Current	Lens/LED Colors	Peak Candela	Lamp Ratings	Lamp Life Calculated <sup>2</sup>	Lamp Life Projected <sup>3</sup>	Replacement Lamp
Flashing LED	<b>102LS-FLEDA-N5<sup>1</sup></b>	120V AC	0.022 A	Amber	—	—	120,000 hr.	—	—
	<b>102LS-FLEDA-G1<sup>1</sup></b>	24V DC	0.062 A						
	<b>102LS-FLEDB-N5<sup>1</sup></b>	120V AC	0.022 A	Blue	—	—	120,000 hr.	—	—
	<b>102LS-FLEDB-G1<sup>1</sup></b>	24V DC	0.062 A						
	<b>102LS-FLEDG-N5<sup>1</sup></b>	120V AC	0.022 A	Green	—	—	120,000 hr.	—	—
	<b>102LS-FLEDG-G1<sup>1</sup></b>	24V DC	0.062 A						
	<b>102LS-FLEDR-N5<sup>1</sup></b>	120V AC	0.022 A	Red	—	—	120,000 hr.	—	—
	<b>102LS-FLEDR-G1<sup>1</sup></b>	24V DC	0.062 A						
	<b>102LS-FLEDW-N5<sup>1</sup></b>	120V AC	0.022 A	Clear/ White	—	—	120,000 hr.	—	—
	<b>102LS-FLEDW-G1<sup>1</sup></b>	24V DC	0.062 A						
Optional Tone Module	<b>102SIGST-N5</b>	120V AC	0.05 A	—	—	—	—	—	—
	<b>102SIGST-G1</b>	24V DC	0.05 A	—	—	—	—	—	—
	<b>102SIGMT-N5</b>	120V AC	0.05 A	—	—	—	—	—	—
	<b>102SIGMT-G1</b>	24V DC	0.05 A	—	—	—	—	—	—

<sup>1</sup>NOTE: LED light sources must be used with the corresponding color lens module (e.g., a blue LED light source, 102LS-SLEDB-G1, must be used with a blue lens, 102LM-B).

<sup>2</sup>At nominal operating voltage.

<sup>3</sup>Projected lamp life based on manufacturer's calc. lamp life @ 65 fpm and 50% duty cycle.

Ordering Information			
Description	Cat. No.	Operating Voltage	Lens Colors
Pre-Assembled Three High Steady-On Incandescent Models with pipe mount base	<b>102SIN-RGA-N5</b>	120V AC	Red, Green, Amber
	<b>102SIN-RBA-N5</b>	120V AC	Red, Blue, Amber
	<b>102SIN-RGA-G1</b>	24V DC	Red, Green, Amber
	<b>102SIN-RBA-G1</b>	24V DC	Red, Blue, Amber

Accessories	
Description	Cat. No.
Pipe Mount Flange	<b>102PMF</b>
Pipe Extensions	4" <b>102MP-4</b>
(for use with Pipe Mount Flange)	10" <b>102MP-10</b>
	15" <b>102MP-15</b>
Corner Mount Bracket	<b>CBR</b>
Wall Mount Bracket	<b>WBR</b>



## Signal Input Load Characteristics

These devices may be operated by PLCs with output characteristics that match the input load requirements of the signal.

Cat. No.	Operating Voltage	Max. Off State Leakage Current (A)	Continuous On Current (A)	Surge (inrush / duration)
102SIGST-N5	120V AC	0.005	0.070	.35 A / .5 millisecond
102SIGST-G1	24V DC	0.005	0.050	.24 A / .2 millisecond
102SIGMT-N5	120V AC	0.005	0.070	.35 A / .5 millisecond
102SIGMT-G1	24V DC	0.005	0.050	.24 A / .2 millisecond
102LS-SIN-N5	120V AC	0.025	0.080	.15 A / 8 millisecond
102LS-SIN-G1	24V DC	0.025	0.032	.36 A / 1 millisecond
102LS-SINH-N5	120V AC	0.025	0.110	.5 A / 8 millisecond
102LS-SINH-G1	24V DC	0.025	0.320	.36 A / 1 millisecond
102LS-FIN-N5	120V AC	0.025	0.080	.3 A / 8 millisecond
102LS-FIN-G1	24V DC	0.025	0.032	1.4 A / 100 millisecond
102LS-FINH-N5	120V AC	0.025	0.110	1.15 A / 8 millisecond
102LS-FINH-G1	24V DC	0.025	0.320	1.2 A / 100 millisecond
102LS-ST-N5	120V AC	0.005	0.120	50 A / 1 millisecond
102LS-ST-G1	24V DC	0.0015	0.300	.33 A / 1 millisecond
102LS-SLED*-N5	120V AC	0.005	0.025	.09 A / 8 millisecond
102LS-SLED*-G1	24V DC	0.005	0.065	.025 A / 1 millisecond
102LS-FLED*-N5	120V AC	0.005	0.025	.09 A / 8 millisecond
102LS-FLED*-G1	24V DC	0.005	0.065	.07 A / 1 millisecond

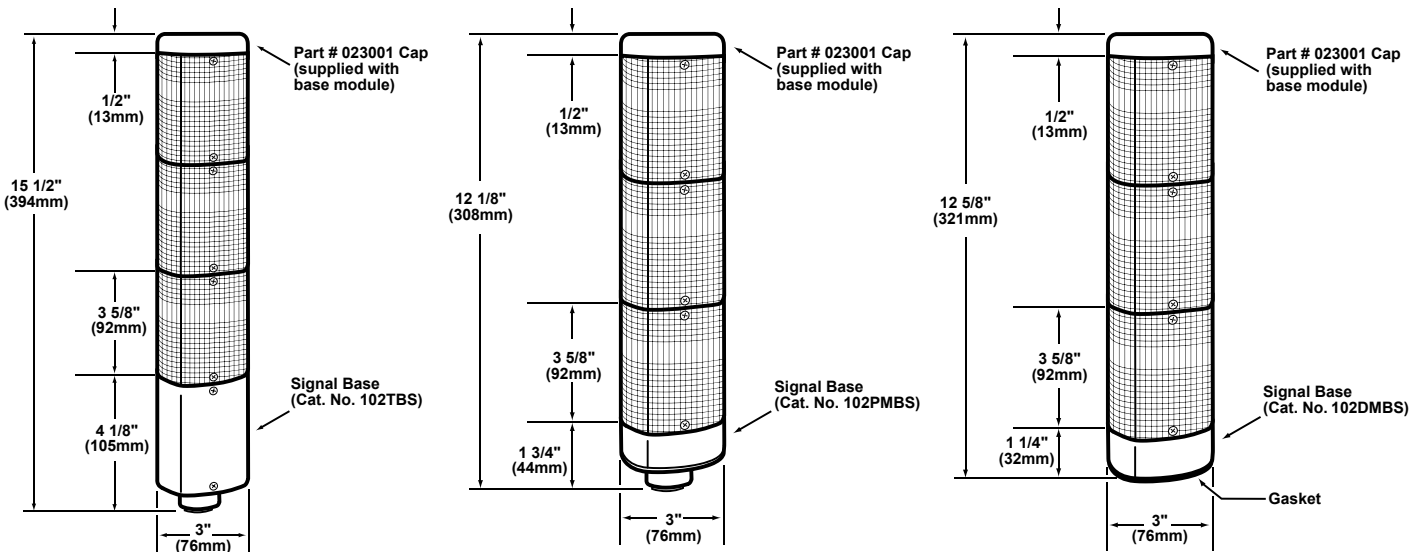
\*Letter in this position designates lens and LED color: A - amber, B - blue, G - green, R - red or W - white

# StackLight™ 102 Series

## Weights and Dimensions

Cat. No.	Approx. Net Weight (lb.)	Approx. Shipping Weight (lb.)
102DMBS-G1	0.38	0.48
102DMBS-N5	0.38	0.48
102LM-*	0.33	0.43
102LS-FIN-G1	0.70	0.80
102LS-FINH-G1	0.70	0.80
102LS-FINH-N5	0.70	0.80
102LS-FIN-N5	0.70	0.80
102LS-FLED*-G1	0.70	0.80
102LS-FLED*-N5	0.70	0.80
102LS-SIN-G1	0.70	0.80
102LS-SINH-G1	0.70	0.80
102LS-SINH-N5	0.70	0.80
102LS-SIN-N5	0.70	0.80
102LS-SLED*-G1	0.70	0.80
102LS-SLED*-N5	0.70	0.80
102LS-ST-G1	0.70	0.80
102LS-ST-N5	0.70	0.80
102MP-10	0.83	0.83
102MP-15	1.14	1.14
102MP-4	0.31	0.31
102PMBS-G1	0.38	0.48
102PMBS-N5	0.38	0.48
102PMF	0.58	0.68
102SIGMT-DN-G1	0.26	0.36
102SIGMT-G1	0.26	0.36
102SIGMT-N5	0.26	0.36
102SIGST-G1	0.26	0.36
102SIGST-N5	0.26	0.36
102SIN-RBA-G1	1.44	1.61
102SIN-RBA-N5	1.44	1.61
102SIN-RGA-G1	1.44	1.61
102SIN-RGA-N5	1.44	1.61
102TBS-DN-G1	0.40	0.50
102TBS-DN-N5	0.40	0.50
102TBS-G1	0.45	0.55
102TBS-N5	0.45	0.55
102TBS-N5	0.45	0.55

\*Letter in this position designates lens/LED color: A - amber, B - blue, G - green, R - red, or W - clear/white



# StackLight™ 102 Series

## Technical Information

### How to order Trilipical StackLight

To build a StackLight, one base unit and the required number of lens modules and light sources need to be ordered. For example, to build a 120V AC, two high, steady incandescent StackLight on a direct mount base, order (one) 102DMBS-N5, (two) 102LM (in required colors), and (two) 102LS-SIN-N5.

VISUAL SIGNALS

