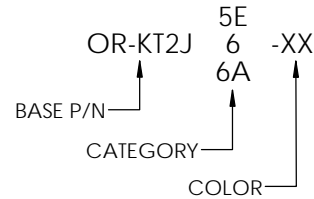
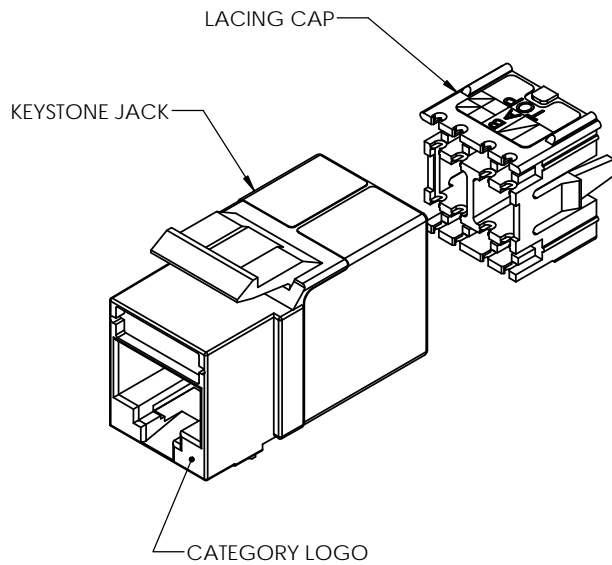


ALL DIMENSIONS ARE IN INCHES



-XX	JACK COLOR
BLANK	FOG WHITE
-00	BLACK
-13	ELEC IVORY
-36	BLUE
-42	RED
-43	ORANGE
-44	YELLOW
-45	GREEN
-78	GRAY
-88	WHITE
-99	WM IVORY

NOTE: ALL COLORS NOT AVAILABLE FOR ALL CATEGORIES. CONTACT CSR FOR AVAILABILITY.

<p>*** NOTICE *** THIS DOCUMENT CONTAINS CONFIDENTIAL AND/OR PROPRIETARY INFORMATION INTENDED FOR USE ONLY BY THE INDIVIDUAL(S) PROVIDED. NEITHER THIS DOCUMENT, NOR ANY INFORMATION CONTAINED HEREIN, MAY BE COPIED, DISTRIBUTED, DISCLOSED TO ANY THIRD PARTY OR USED IN ANY MANNER OTHER THAN FOR WHICH IT HAS BEEN PROVIDED, WITHOUT THE PRIOR WRITTEN CONSENT OF ORTRONICS, INC. MANUFACTURING RELEASE. PRODUCT SPECIFICATIONS AND STANDARDS ARE SUBJECT TO CHANGE WITHOUT NOTICE.</p>			<p>125 EUGENE O'NEILL DRIVE NEW LONDON, CT 06320 TEL: 860-445-3800 FAX: 860-405-2990 WWW.ORTRONICS.COM</p>			
<p>TITLE KEYSTONE JACK, HD TERM, -XX COLOR</p>						
DWN	KC	5/15/2015	SIZE	CAD FILE	DWG NO	REV
CHK	CAC	5/18/2015	B	KT2JYYXXC	OR-KT2JYY-XX	00
APPR	GL	5/20/2015	SCALE	2:1	WEIGHT	SHEET
						1 OF 1