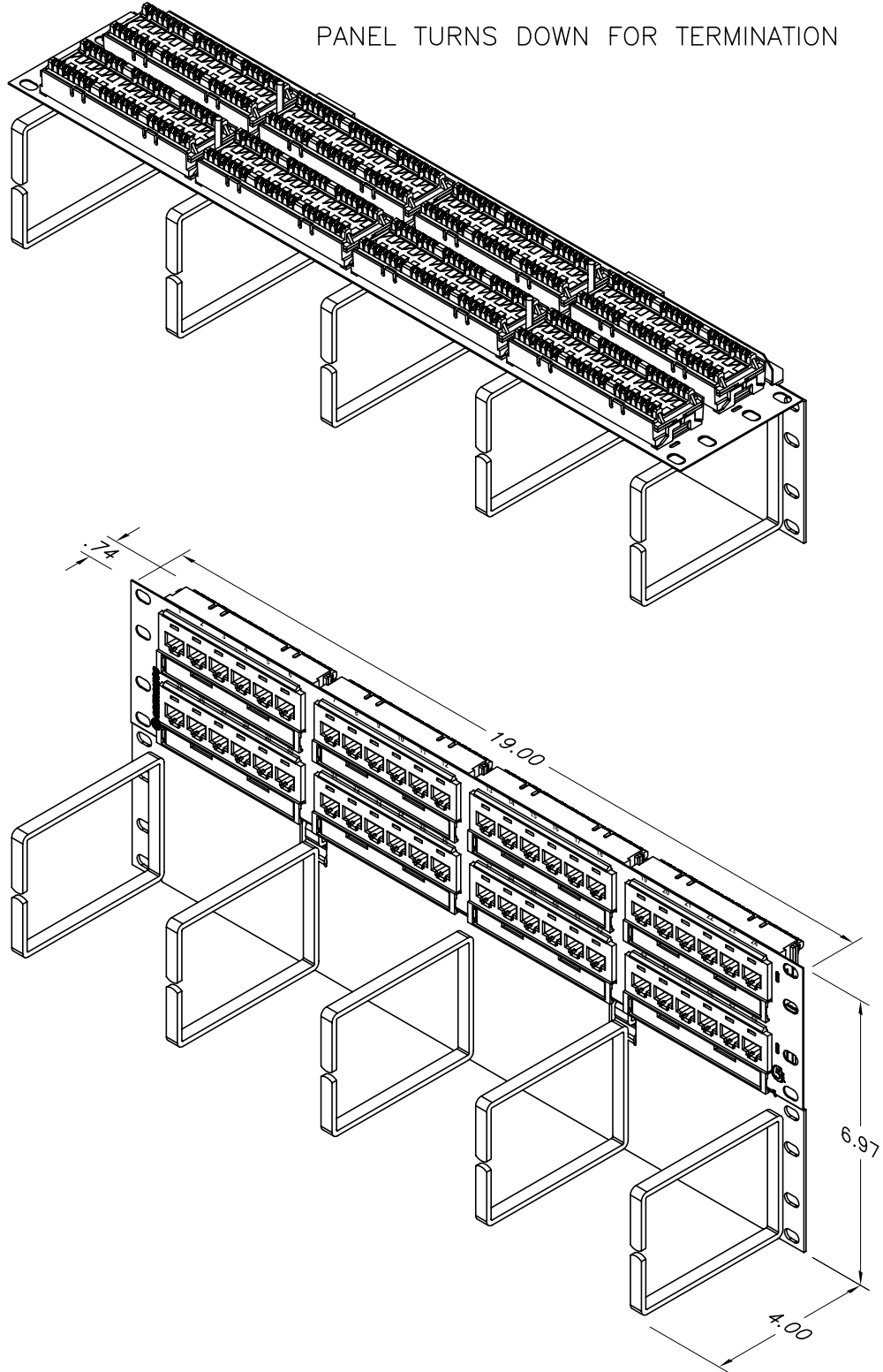


PANEL TURNS DOWN FOR TERMINATION



*** NOTICE ***

THIS DOCUMENT CONTAINS CONFIDENTIAL AND/OR PROPRIETARY INFORMATION INTENDED FOR USE ONLY BY THE INDIVIDUAL(S) SPECIFIED HEREIN AND ONLY FOR THE PURPOSE(S) PROVIDED. NEITHER THIS DOCUMENT, NOR ANY INFORMATION CONTAINED HEREIN, MAY BE COPIED, DISTRIBUTED, DISCLOSED TO ANY THIRD PARTY OR USED IN ANY MANNER OTHER THAN FOR WHICH IT HAS BEEN PROVIDED, WITHOUT THE PRIOR WRITTEN CONSENT OF ORTRONICS, INC.



NEW LONDON, CT 06320
(860) 445-3800

DWN.BY:	S. LEVESQUE	DATE	02/07/03
CHK.BY:	S. LEVESQUE	DATE	01/19/06
APP.BY:	M. MARTICH	DATE	01/20/06

TITLE			
48 PORT CLARITY 5E PATCH PANEL, WITH HINGED WIRE MANAGEMENT PANEL, HI DENSITY			
SIZE	CAD FILE	PART NUMBER	REV
A	PHD5E6U48HMC	OR-PHD5E6U48HM	02
SCALE	REL DATE	SHEET	
NONE	01/20/06	1 OF 1	