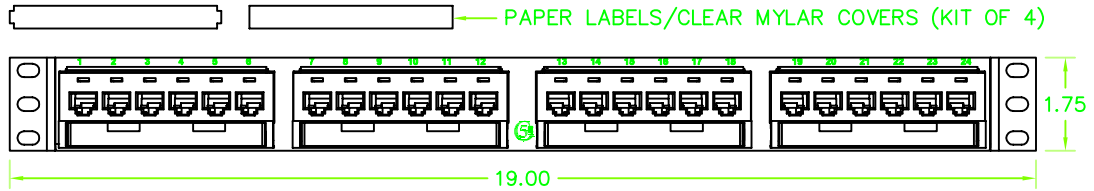
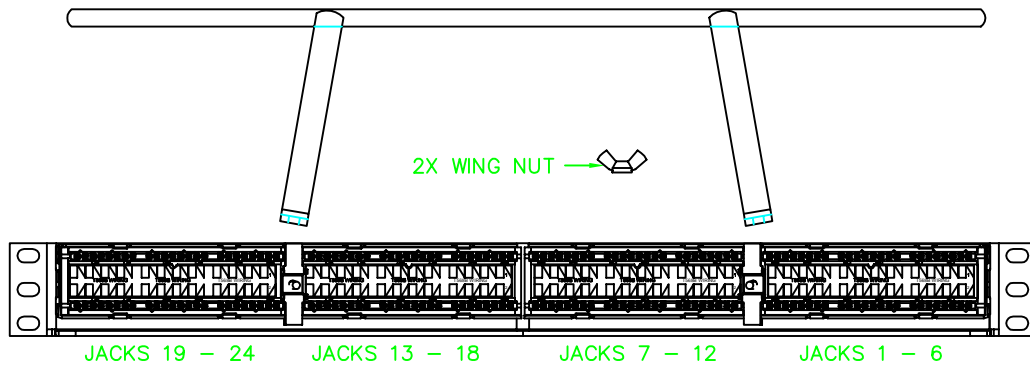


TOP VIEW



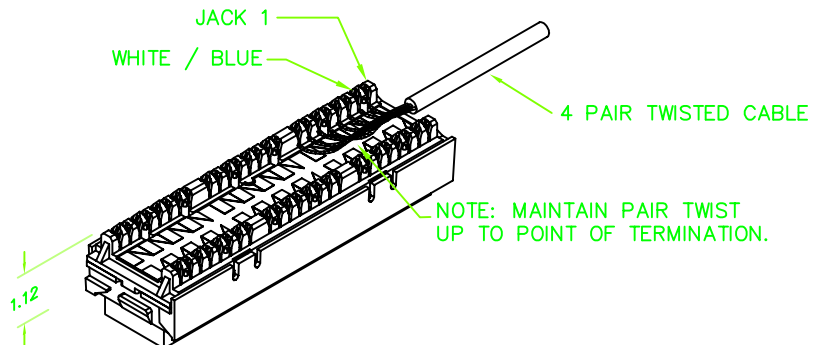
FRONT VIEW



REAR VIEW



KIT ALSO INCLUDES: INSTRUCTION SHEET, HOOK-LOOP AND MOUNTING SCREW KIT (NOT SHOWN)



\*\*\* NOTICE \*\*\*  
 THIS DOCUMENT CONTAINS CONFIDENTIAL AND/OR PROPRIETARY INFORMATION INTENDED FOR USE ONLY BY THE INDIVIDUAL(S) SPECIFIED HEREIN AND ONLY FOR THE PURPOSE(S) PROVIDED. NEITHER THIS DOCUMENT, NOR ANY INFORMATION CONTAINED HEREIN, MAY BE COPIED, DISTRIBUTED, DISCLOSED TO ANY THIRD PARTY OR USED IN ANY MANNER OTHER THAN FOR WHICH IT HAS BEEN PROVIDED, WITHOUT THE PRIOR WRITTEN CONSENT OF ORTRONICS, INC.



DWN.BY: S. LEVESQUE DATE: 10/14/03  
 CHK.BY: C. COLLELO DATE: 06/22/06  
 APP.BY: M. MARTICH DATE: 06/26/06

TITLE			
24 PORT, 110/ANGLED PANEL, CAT 5E, CLARITY T568A/B, 8 POS., 1.75 x 1.82 x 19.00, HIGH DENSITY			
SIZE	CAD FILE	PART NUMBER	REV
A	PHA5E6U24C	OR-PHA5E6U24	04
SCALE	REL DATE	SHEET	
NONE	03/23/12	1 OF 1	