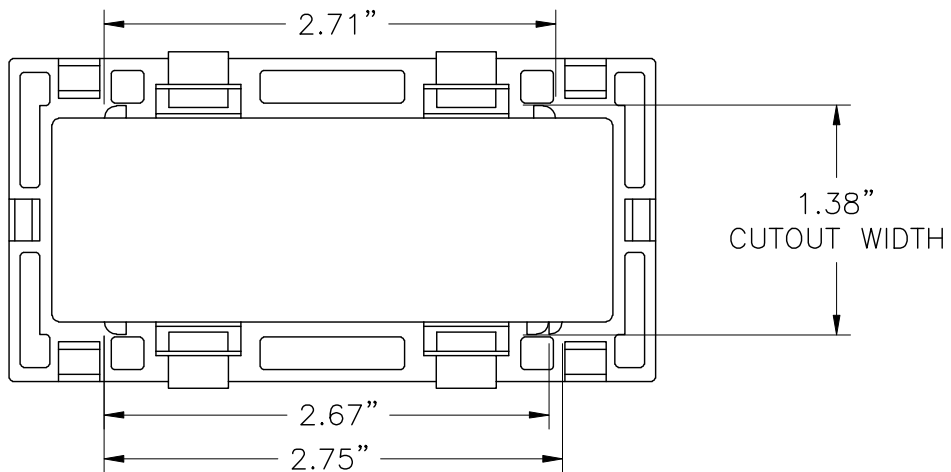
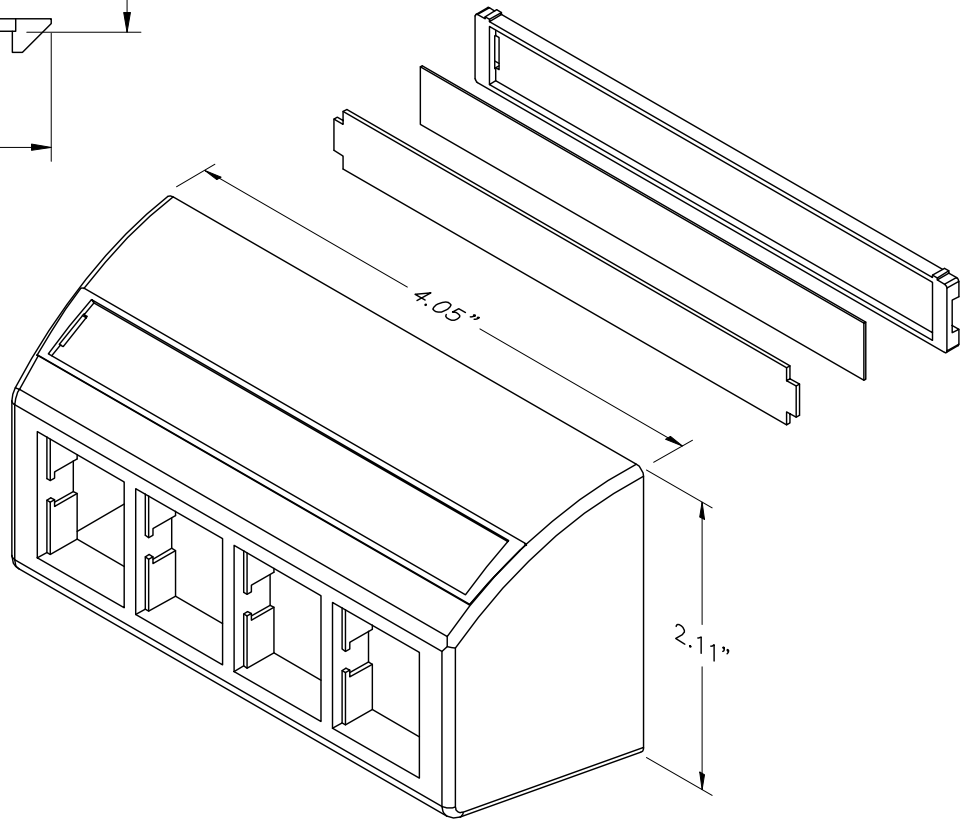


PART NUMBER	COLOR
40300633	FOG WHITE
40300633-00	BLACK



3 SIZES OF CUTOUT LENGTHS

*** NOTICE ***

THIS DOCUMENT CONTAINS CONFIDENTIAL AND/OR PROPRIETARY INFORMATION INTENDED FOR USE ONLY BY THE INDIVIDUAL(S) SPECIFIED HEREIN AND ONLY FOR THE PURPOSE(S) PROVIDED. NEITHER THIS DOCUMENT, NOR ANY INFORMATION CONTAINED HEREIN, MAY BE COPIED, DISTRIBUTED, DISCLOSED TO ANY THIRD PARTY OR USED IN ANY MANNER OTHER THAN FOR WHICH IT HAS BEEN PROVIDED, WITHOUT THE PRIOR WRITTEN CONSENT OF ORTRONICS, INC.



NEW LONDON, CT 06320
(860) 445-3800

DWN.BY:	S. LEVESQUE	DATE	05/22/00
CHK.BY:	J. LUCY	DATE	07/13/09
APP.BY:	AM	DATE	07/17/09

TITLE

FURNITURE BEZEL, 4 PORT TRACJACK
4.05 x 2.11, 1.50 DEEP

SIZE	CAD FILE	PART NUMBER	REV
A	40300633XXC	OR-40300633-XX	04
SCALE	DATE	SHEET	
NONE	03/13/09	1 OF 1	