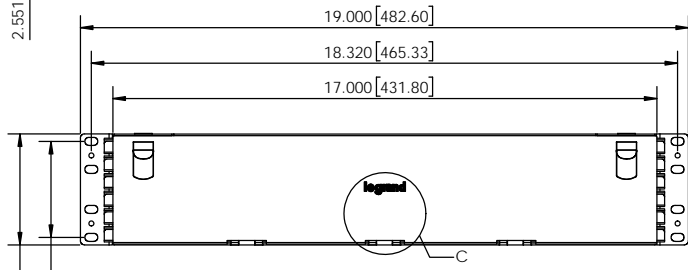
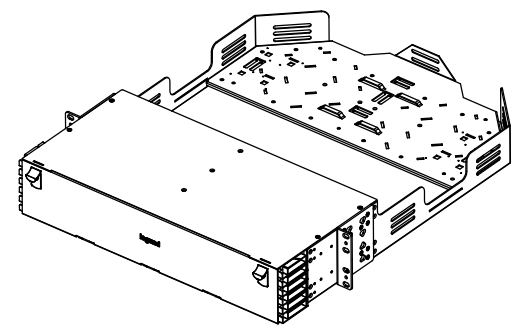
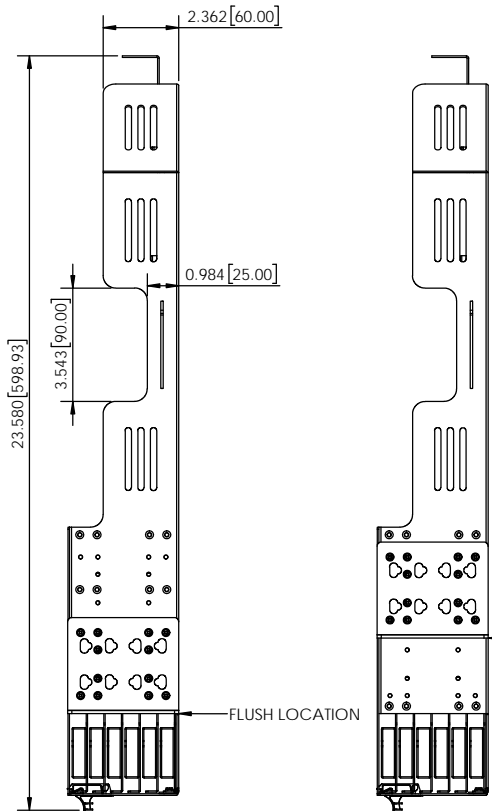
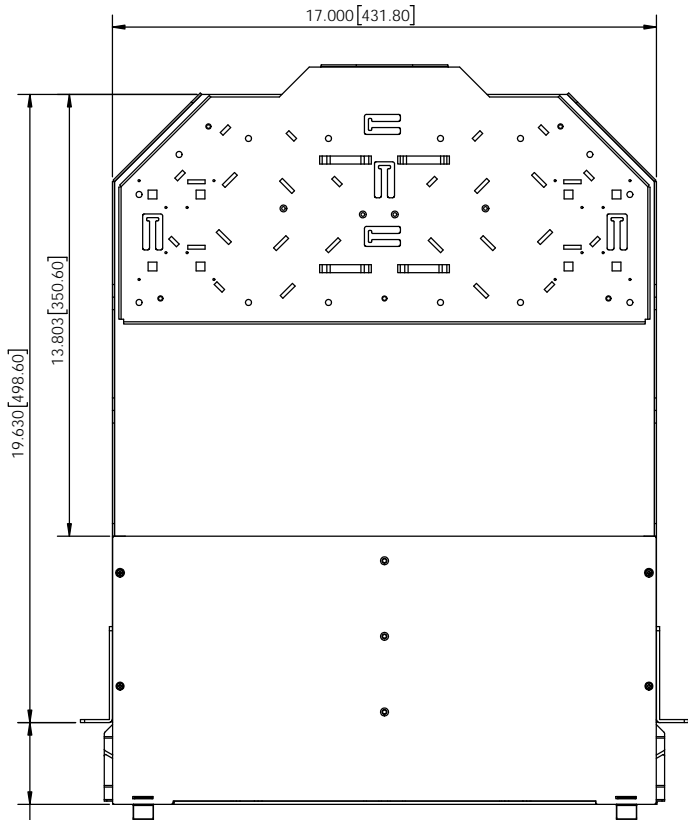
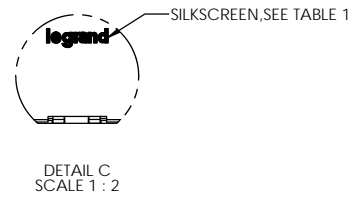


NOTES, UNLESS OTHERWISE SPECIFIED:

1. FINISH: LIQUID PAINT, SEE TABLE 1 FOR COLOR.
2. SILKSCREEN: LEGRAND LOGO, COLOR PER TABLE 1.
3. DIMENSIONS ARE IN INCHES.



TWO BRACKET LOCATIONS



2.375" LOCATION

FLUSH LOCATION

CABLE MANAGEMENT KIT(SHOULD BE BAGGED)		
PART NAME	PART NUMBER	QTY.
PLEN-TIE, HOOK-LOOP STRAPS, ROLL OF 20	OR-70700145	0.4
SPOOL FIBER BUNDLE	OR-70800264	16

OR-UC02UB-X

COLOR, SEE TABLE 1

BASE NUMBER

PART NUMBER LEGEND

-X	COLOR	SILKSCREEN COLOR
NONE	BLACK	SILVER (PANTONE 877C)
-B	BLACK	
-W	WHITE	
-BLG	BLACK	WHITE (PANTONE WHITE)

*** NOTICE ***
THIS DOCUMENT CONTAINS CONFIDENTIAL AND/OR PROPRIETARY INFORMATION INTENDED FOR USE ONLY BY THE INDIVIDUALS PROVIDED HEREIN. THIS DOCUMENT, IN ANY FORM OR BY ANY MEANS, SHALL NOT BE COPIED, REPRODUCED, DISCLOSED TO ANY THIRD PARTY OR USED IN ANY MANNER OTHER THAN THAT FOR WHICH IT HAS BEEN PROVIDED, WITHOUT THE PRIOR WRITTEN CONSENT OF LEGRAND, INC. MANUFACTURING RELEASE. PRODUCT SPECIFICATIONS AND STANDARDS ARE SUBJECT TO CHANGE WITHOUT NOTICE.



TITLE
ENCLOSURE ASSY, 2U, UHD, M7

NAME	DATE	SIZE	CAD FILE	DWG NO	REV
DWS	05/16/2016	C	UC02UBXC	OR-UC02UB-X	03
CHK	RJG	5/15/2016			
APPR	MW	5/16/2016			
SCALE 1:3		SHEET		1 OF 1	