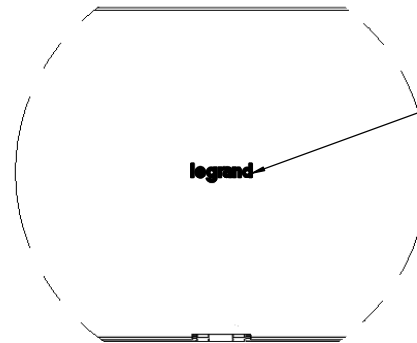
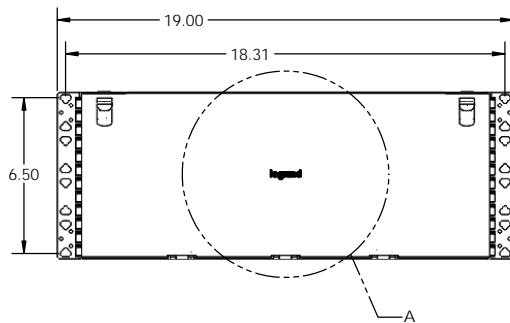
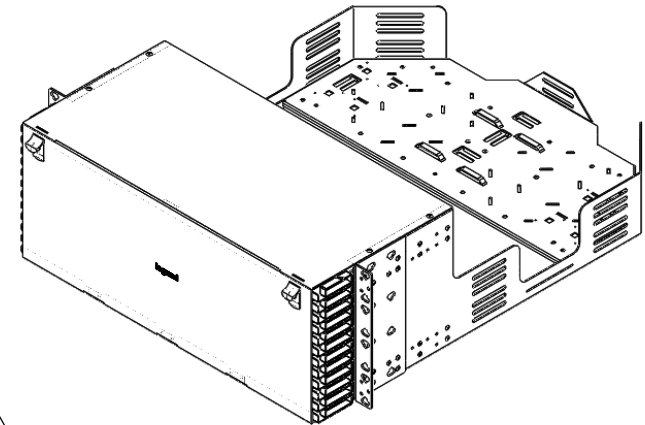
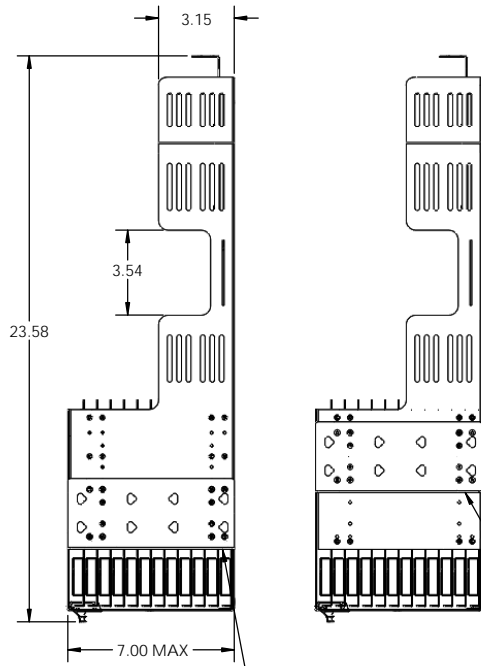
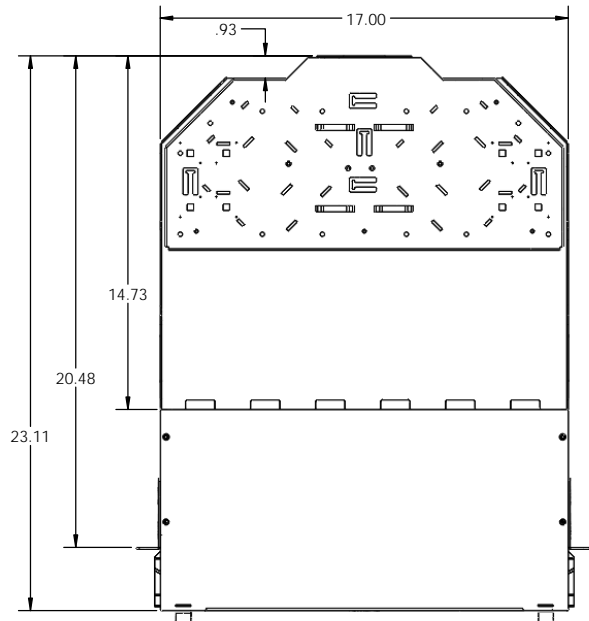


- NOTES, UNLESS OTHERWISE SPECIFIED:
 1. FINISH: LIQUID PAINT, SEE TABLE 1 FOR COLOR.
 2. SILKSCREEN: LEGRAND LOGO, COLOR PER TABLE 1.
 3. DIMENSIONS ARE IN INCHES.



DETAIL A
SCALE 1 : 2

UC04U8-X
 BASE NUMBER COLOR, SEE TABLE 1

PART NUMBER LEGEND

TABLE 1		
-X	COLOR	SILKSCREEN COLOR
NONE	BLACK	SILVER (PANTONE 877C)
-B	BLACK	
-W	WHITE	

SEE NOTE 2
SEE TABLE 1

CABLE MANAGEMENT KIT(SHOULD BE BAGGED)		
PART NAME	PART NUMBER	QTY.
PLEN-TIE, HOOK-LOOP STRAPS, ROLL OF 20	70700145	0.4
SPOOL FIBER BUNDLE	70800264	32

*** NOTICE ***
 THIS DOCUMENT CONTAINS
 CONFIDENTIAL AND/OR PROPRIETARY
 INFORMATION INTENDED FOR USE ONLY
 BY THE INDIVIDUAL(S) PROVIDED.
 NEITHER THIS DOCUMENT, NOR ANY
 INFORMATION CONTAINED HEREIN, MAY
 BE COPIED, DISTRIBUTED, DISCLOSED TO
 ANY THIRD PARTY OR USED IN ANY
 MANNER OTHER THAN FOR WHICH IT HAS
 BEEN PROVIDED, WITHOUT THE PRIOR
 WRITTEN CONSENT OF LEGRAND.



TITLE
ENCLOSURE ASSY, 4U, UHD, BASE-8

DWN	NAME	DATE	SIZE	CAD FILE	DWG NO	REV
RJG		5/2/2016	C	UC04U8XC	UC04U8-X	04
CHK	NR	5/2/2016				
APPR	MW	5/4/2016	SCALE	1:4	SHEET	1 OF 1