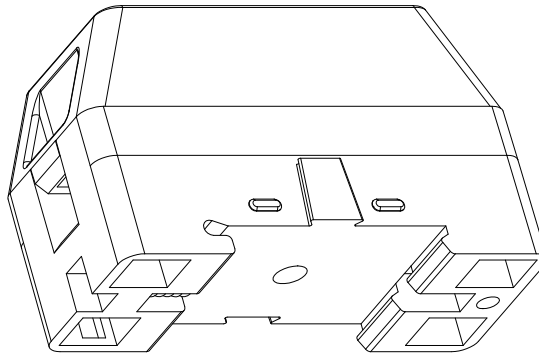
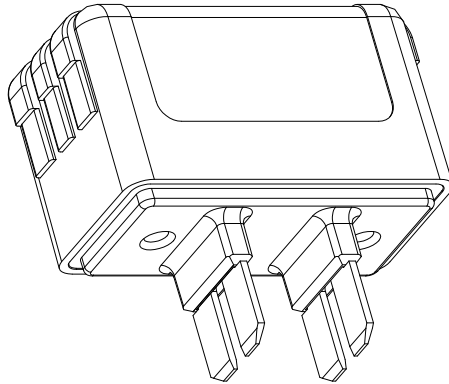


THIS DRAWING HAS BEEN GENERATED AND IS MAINTAINED BY A CAD SYSTEM. CHANGES SHALL ONLY BE INCORPORATED AS DIRECTED BY THE DESIGN ACTIVITY.

REVISIONS

LTR	DESCRIPTION	ECO NUM.	DATE	APPROVED
D	UPDATE PER MARKUPS	9347	1/28/11	MPD
E	REMOTE STATUS DC ONLY	9816	6/6/11	MPD
F	UPDATE SECTION 1.0 TO INCLUDE CE	10641	4/30/12	MTH
G	UPDATE SHEET 4 OF 5 SUPP MODULE	13242	5/15/15	MPD



UNLESS OTHERWISE SPECIFIED DIM. IN INCHES BEFORE PLATING

DRAWN: NLD	DATE 9/20/02
CHECKED: CDD	11/1/02
ENGR. APPD: DWR	11/1/02
PROJ. APPD: JEB	11/1/02
APPROVED:	

TRANSTECTOR[®]

SUPERIOR SURGE SUPPRESSION

TITLE:

**I²R ICP SASD/MOV
Suppressor Specification**

MATERIAL:

NOTED

NOTICE: THE INFORMATION AND DESIGN CONTAINED HEREIN IS THE PROPERTY OF TRANSTECTOR SYSTEMS. WHO RESERVES ALL RIGHTS THERETO

SIZE A	CAGE 30992	DRAWING NUMBER 1400-429	REV G
SCALE = NA		PAGE 1 OF 5	

**SUMMARY
SUPPRESSOR PERFORMANCE SPECIFICATIONS**

1.0 GENERAL DESCRIPTION:

The I²R ICP series is offered in both DC and AC versions. Each device is a single phase, hardware surge protector recognized to UL 497B (DC products), UL 1449 (I²R ICP 120Vac SASD), and CE certified. Devices are not polarity sensitive and may be DIN rail mounted or simply fastened to any surface via the screw mount option on the base (4.2.2). The I²R ICP product line is available in SASD (for sensitive electronic power systems) and MOV. Each module has an LED to report module status. Remote status capability (RSC) is available on DC models.

2.0 ELECTRICAL SERVICE:

2.1 Operating voltage DC modules:

- 2.1.1 12VDC SASD 2.5kA 12/14VDC maximum
- 2.1.2 24VDC SASD 2.5kA 24/28VDC maximum
- 2.1.3 48VDC SASD 2.5kA 48/57VDC maximum

2.2 Operating voltage AC modules (RMS):

- 2.2.1 120VAC SASD 7kA 120V/140V maximum
- 2.2.2 240VAC SASD 7kA 240V/280V maximum
- 2.2.3 120VAC MOV 18kA 120V/150V maximum
- 2.2.4 240VAC MOV 18kA 240V/280V maximum

2.3 Configuration 2 wire

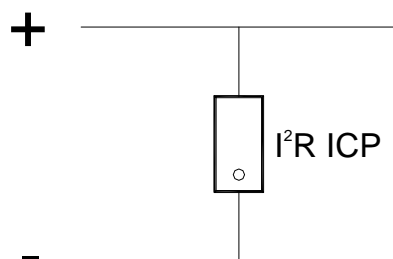
2.4 Input Connection Screw-Term. Block (4-14AWG)

2.5 Status Indicators:

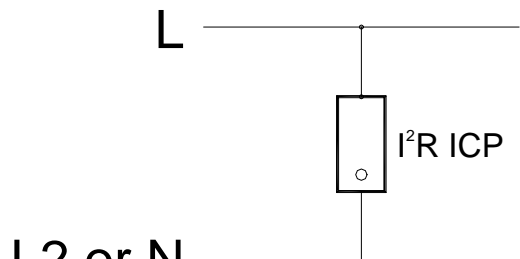
- 2.5.1 Green LED On = Suppressor Operational
Off = Suppressor Not Operational or Power Not Applied
- 2.5.2 Remote Status See 3.1

2.6 Single Unit Configuration:

SINGLE UNIT



DC UNIT



AC UNIT



NOTICE: THE INFORMATION AND DESIGN CONTAINED HEREIN IS THE PROPERTY OF TRANSTECTOR SYSTEMS. WHO RESERVES ALL RIGHTS THERETO.

SIZE
A

CAGE
30992

1400-429

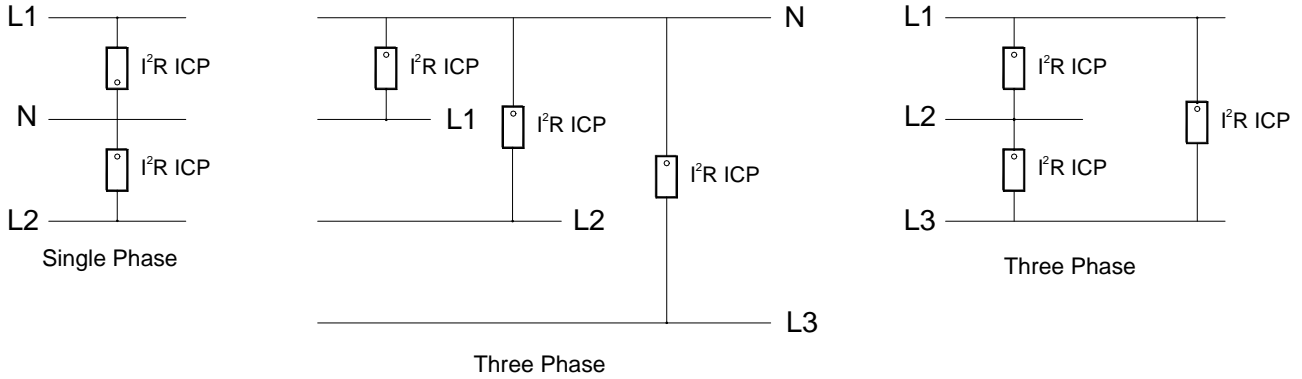
G

SCALE = NA

Page 2 OF 5

2.7 Multiple Unit Configuration:

MULTIPLE UNITS AC

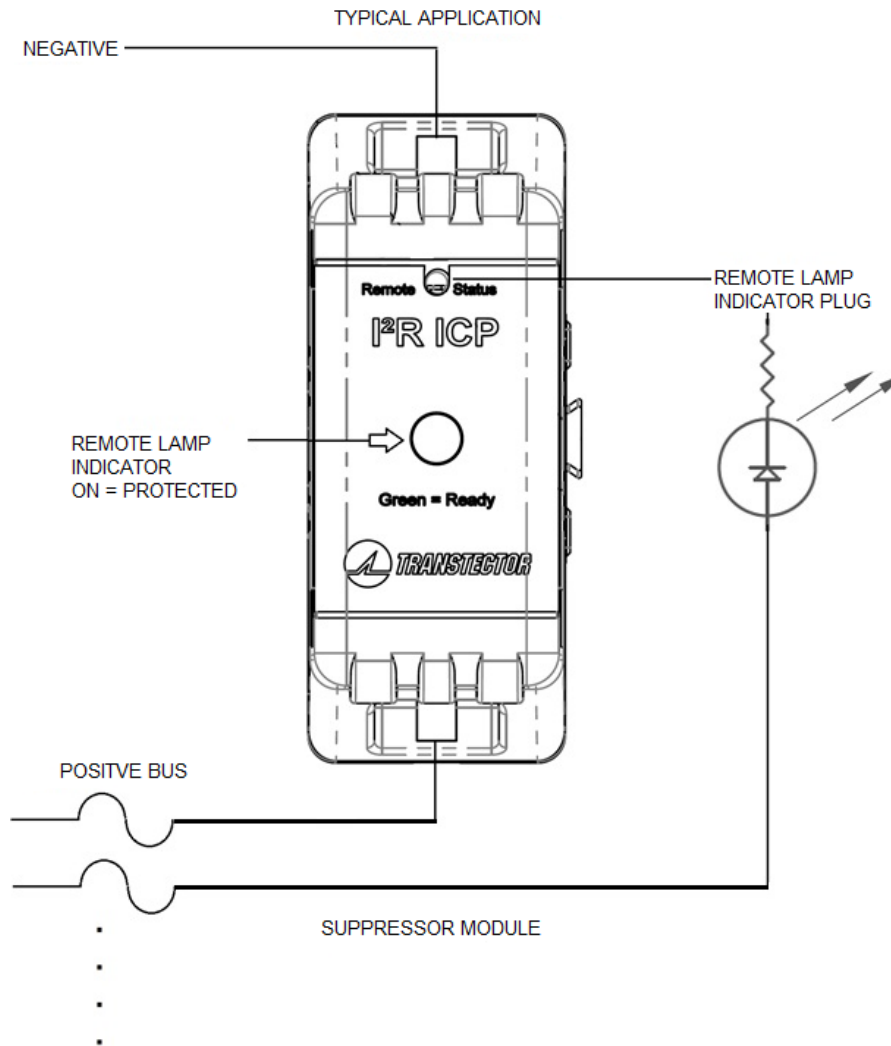


3.0 ELECTRICAL PERFORMANCE:

Model	Vbr	VPL (500 A 8/20)	MCOV	Voltage Protection Levels			
				2.5kA 8/20	7kA 8/20	10kA 8/20	300A 10/1000
I2R ICP 12 VDC	24	36	14	70	-	-	45
I2R ICP 24 VDC	40	54	28	83	-	-	64
I2R ICP 48 VDC	70	90	57	125	-	-	90
I2R ICP 240 VAC	450	600	280	530	610	-	515
I2R ICP 240 VAC W/RSC	450	600	280	530	610	-	515
I2R ICP 120 VAC MOV	270	500	140	725	1300	2000	400
I2R ICP 240 VAC MOV	505	800	280	1100	1800	2400	800
		3kA 8 x 20					
I2R ICP 120 VAC	225	500	140	275	340	-	255

3.1 Remote Status Capability (RSC):

- 3.1.1 Remote Status is available only on DC models.
- 3.1.2 Although device is not polarity sensitive, it is recommended that the remote status point be placed on the neutral or negative side.
- 3.1.3 Remote Status wiring*:



***WARNING!!!! LIVE ELECTRICAL POWER WHEN TVSS IS ENERGIZED.**

3.2 Additional data:

3.2.1 Suppression element used:

- 3.2.1.1 SASD modules.....Silicon Avalanche Diodes
- 3.2.1.2 MOV modules.....Metal Oxide Varistors

3.2.2 Suppression element response time (off-to-full on):

- 3.2.2.1 SASD less than 5 nanoseconds
- 3.2.2.2 MOV20 nanoseconds

4.0 MECHANICAL:

- 4.1 Enclosure Description: The I²R ICP is comprised of two portions, the module and base. When assembled, the I²R ICP is 2.63” long, 1.09” wide and 2.67” tall.
- 4.2 Mounting: The I²R ICP has two mounting options:
 - 4.2.1 35mm DIN Rail
 - 4.2.2 Screw mount



NOTICE: THE INFORMATION AND DESIGN CONTAINED HEREIN IS THE PROPERTY OF TRANSTECTOR SYSTEMS. WHO RESERVES ALL RIGHTS THERETO.

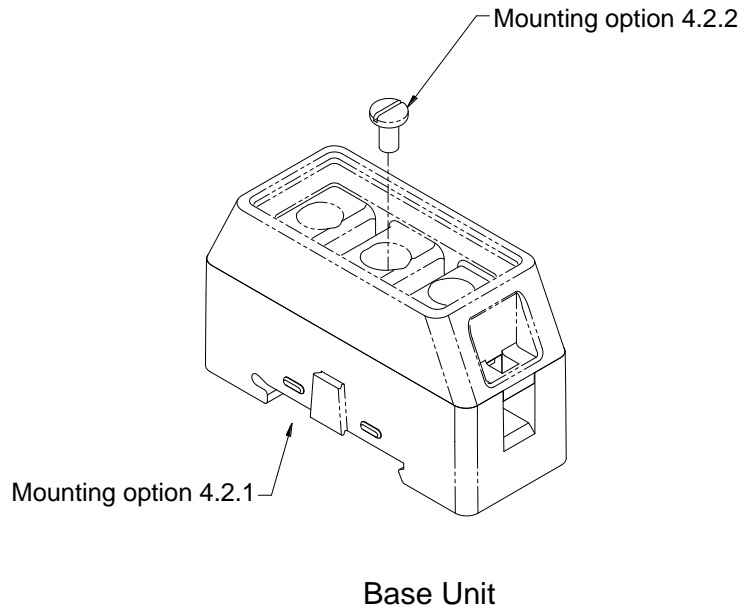
SIZE
A

CAGE
30992

1400-429

G

SCALE = NA



5.0 ENVIRONMENTAL:

- 5.1 Operating Temperature-40°C to +80°C
- 5.2 Storage Temperature-40°C to +80°C
- 5.3 Relative Humidity100% (non-condensing)

© 2015 [Transtector](http://Transtector.com). All rights reserved



NOTICE: THE INFORMATION AND DESIGN CONTAINED HEREIN IS THE PROPERTY OF TRANSTECTOR SYSTEMS. WHO RESERVES ALL RIGHTS THERETO.

SIZE A	CAGE 30992	1400-429	G
SCALE = NA		Page 5 OF 5	