

Installation Instructions

ACP 100DR2 Series



an INFINIT[®] company

800.882.9110 | 208.772.8515 | www.transtector.com

Warning

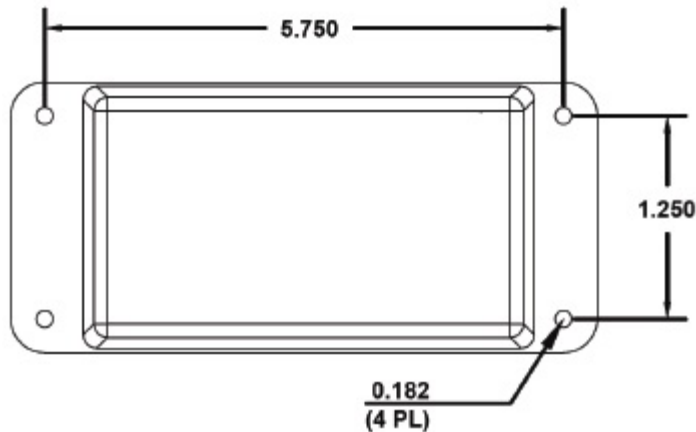
1. IMPORTANT SAFETY INSTRUCTIONS
2. Read and understand all instructions.
3. SAVE THESE INSTRUCTIONS

Thank you for your recent purchase of our surge protection solution.
Your satisfaction with our product and service is important to us.
If you have any questions, comments or concerns, please contact us
at 800.882.9110 or visit our website at www.transtector.com.
We look forward to continuing to serve your protection needs.

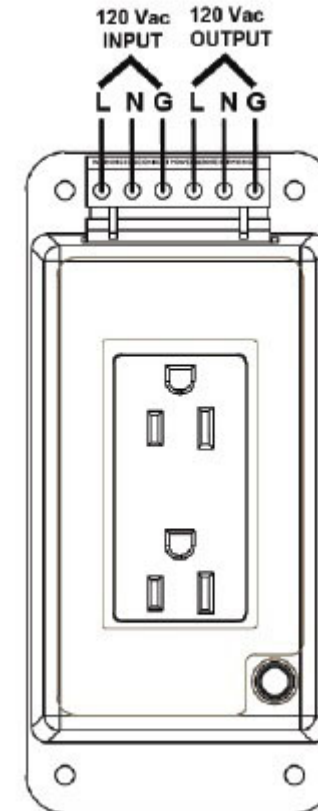
Installation Instructions

ACP 100 DR2 Series

1. These products are intended for use only on 15 or 20A 120VAC circuits.
2. Warning! Disconnect power upstream from the device when wiring to avoid potential shock hazard.
3. Mounting the ACP 100 DR2 Series
 - 3.1 35mm Din Rail Mount (4 possible orientations): To install, exert force on one of the traveling tabs until opposite clip engages rail; to uninstall, exert force on one of the traveling tabs until the opposite clip disengages from the rail.
 - 3.2 Panel Mount: It is recommended that the DIN foot connector be uninstalled by removing the two Philips head screws when panel mounting. Remove terminal block plug and install screws (#8 hardware recommended) through four provided mounting holes (dimensions shown).



4. Wiring the ACP 100 DR2 Series: Install 10-14 AWG into input and output terminal block positions as shown. A wiring diagram label is also provided to ensure proper wiring of the device.



1200-178 Rev C