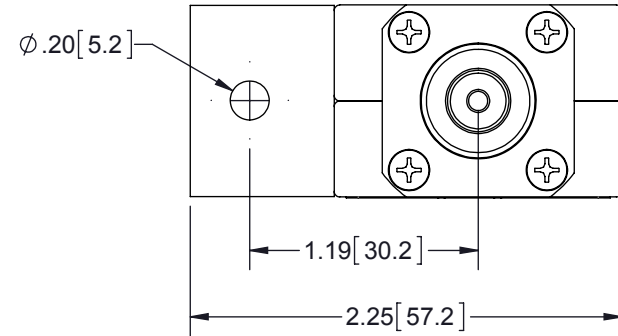


HARDWARE KIT INCLUDES:

QTY	DESCRIPTION
1	SCREW 10-32x.75 HEX MS 18-8 SS
2	WASHER 10 INT 4-10 SS
1	NUT 10-32 HEX 18-8 SS
1	NUT 5/8-24 303 HEX SS
1	WASHER 5/8 410 SS
1	O-RING 114 EPDM

REVISIONS				
REV.	DESCRIPTION	ECN	DATE	APPROVED
F	REFER TO ECN	13175	4/22/15	EJD



MAXIMUM CHARACTERISTICS

APPLICATION:

FOR TWO WAY RADIO AND SCADA APPLICATIONS
NON-WEATHERIZED, BULKHEAD MOUNT

SURGE:

20kA IEC 61000-4-5 8/20µs WAVEFORM

TURN-ON:

600Vdc ±20%

TURN-ON TIME:

2.5ns for 2kV/ns

FREQUENCY RANGE:

10MHz to 1GHz

VSWR:

≤ 1.1 to 1 OVER FREQUENCY RANGE

INSERTION LOSS:

≤ 0.1dB OVER FREQUENCY RANGE

MAX POWER:

1.5kW @ 10 to 50MHz

375W @ 50 to 220MHz

125W @ 220 to 700MHz

50W @ 700 to 1000MHz

THROUGHPUT ENERGY:

≤3.5mJ @ 3kA 8/20µs WAVEFORM

TEMPERATURE:

STORAGE: -55°C to +85°C

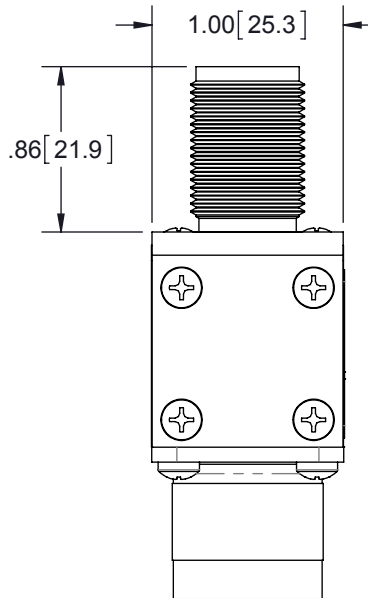
OPERATING: -50°C to +50°C

VIBRATION:

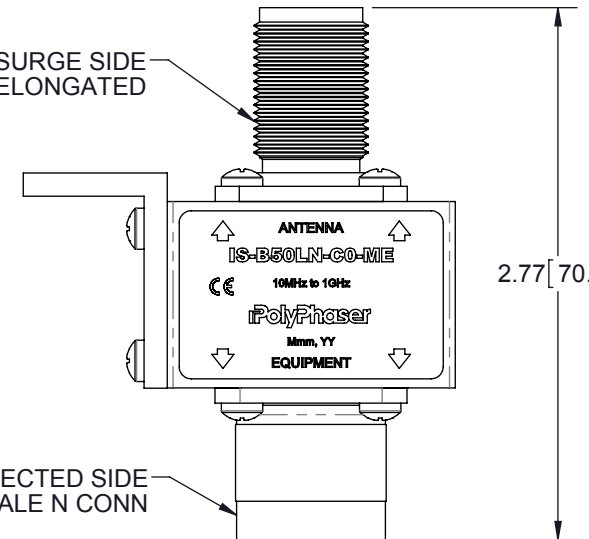
1G up to 100Hz

CE COMPLIANT

RoHS COMPLIANT



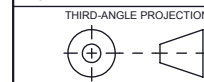
SURGE SIDE
FEMALE N CONN ELONGATED



CUSTOMER APPROVAL: _____ DATE: _____

ALL DIMENSIONS SHOWN ARE FOR REFERENCE ONLY.

<small>UNLESS OTHERWISE SPECIFIED LEADING DIMENSIONS ARE INCHES DIMENSIONS IN [] ARE MILLIMETERS</small> TOLERANCES: FRACTIONS=± 1/32 .XX=± .03 ANGLES=± 1° .XXX=± .010 <small>NOTICE: THE INFORMATION AND DESIGN IN THIS DOCUMENT IS THE PROPERTY OF POLYPHASER CORPORATION. ALL RIGHTS RESERVED.</small>	<small>DRAWN</small> J. CALLISTER <small>ENG APPD</small> O. AKDAG <small>PRODUCT MGR</small> T. KULBIEDA <small>MARKETING APPD</small> R. MATHEUS <small>PROJECT NO.</small>	<small>DATE</small> 3/4/96 <small>3/11/96</small> <small>3/11/96</small> <small>3/11/96</small>	<small>SHEET</small> 1 OF 1 <small>SCALE</small> 1:1
	TITLE BROADBAND 10MHz TO 1GHz N FEM BLKH <small>CUSTOMER SPECIFICATION</small>		
	<small>DOCUMENT NAME</small> IS-B50LN-C0-MEC	<small>SIZE</small> A	<small>CAGE</small> 30992



THESE COMMODITIES, TECHNOLOGY OR SOFTWARE WERE EXPORTED FROM THE UNITED STATES IN ACCORDANCE WITH THE EXPORT ADMINISTRATION REGULATIONS. DIVERSION CONTRARY TO U.S. LAW PROHIBITED.