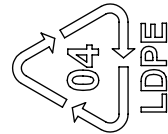
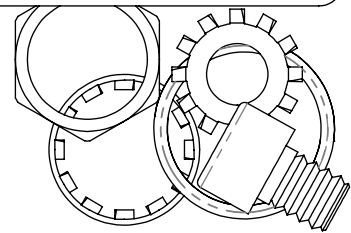
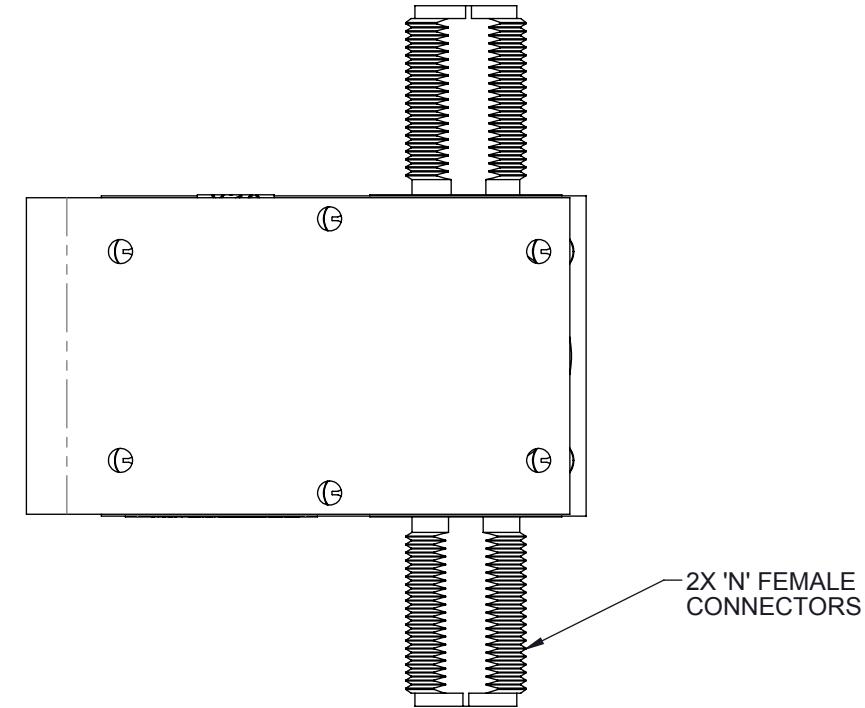
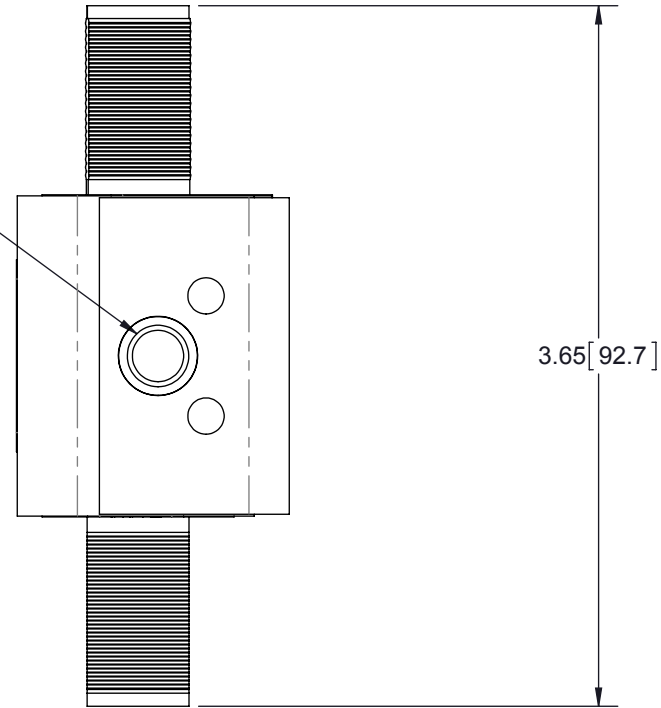


REVISIONS				
REV.	DESCRIPTION	ECN	DATE	APPROVED
N	REFER TO ECN	11905	7/30/13	KCB

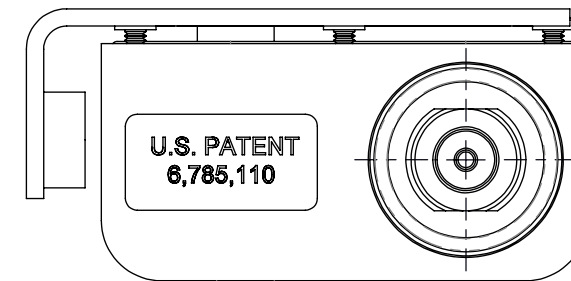
9100-0279



M8 X 1.25-6H NUT



2X 'N' FEMALE CONNECTORS



MAXIMUM CHARACTERISTICS

APPLICATION:
 USED WHERE DC VOLTAGE IS REQUIRED
 IDEAL FOR GPS
 WEATHERIZED, FLANGE OR BULKHEAD MOUNT

FREQUENCY RANGE:
 800MHz TO 2500MHz

VSWR:
 ≤1.1:1 OVER FREQUENCY RANGE

INSERTION LOSS:
 ≤0.1dB OVER FREQUENCY RANGE

POWER:
 300W RMS

TURN ON:
 ±6.5Vdc

TURN ON TIME:
 4ns FOR 2kV/ns

MAX. SURGE:
 20kA IEC 61000-4-5 8/20µs WAVEFORM

THROUGHPUT ENERGY:
 ≤175µJ FOR 3kA, 8/20µs WAVEFORM

USER VOLTAGE:
 ±6.0Vdc MAX

USAGE CURRENT:
 ≤4.0A CONTINUOUS

RELATIVE HUMIDITY:
 TO 95%

ENVIRONMENTAL:
 COMPLIANT TO IEC 60950-1 SECTION 7.4.2
 MEETS IEC 60529 IP67
 MEETS BELLCORE #TA-NWT-000487
 PROCEDURE 4.11, WIND DRIVEN (120MPH)
 RAIN INTRUSION TEST.

TEMPERATURE:
 -50°C TO +85°C STORAGE/OPERATING

CE COMPLIANT
RoHS COMPLIANT

CUSTOMER APPROVAL: _____ DATE: _____

ALL DIMENSIONS SHOWN ARE FOR REFERENCE ONLY.

THESE COMMODITIES, TECHNOLOGY OR SOFTWARE WERE EXPORTED FROM THE UNITED STATES IN ACCORDANCE WITH THE EXPORT ADMINISTRATION REGULATIONS. DIVERSION CONTRARY TO U.S. LAW PROHIBITED.

UNLESS OTHERWISE SPECIFIED LEADING DIMENSIONS ARE INCHES DIMENSIONS IN [] ARE MILLIMETERS	DRAWN	IB	DATE			
	ENG APPD	KCB	3/15/02			
	PRODUCT MGR	KCB	3/25/02			
	MARKETING APPD	KCB	3/25/02			
MATERIAL	PH	3/26/02	PROJECT NO.	TITLE		
THIRD-ANGLE PROJECTION	NOTICE: THE INFORMATION AND DESIGN IN THIS DOCUMENT IS THE PROPERTY OF TRANSECTOR SYSTEMS. ALL RIGHTS RESERVED.			800MHz-2500MHz BROADBAND CUSTOMER SPECIFICATION		
	SCALE	B	CAGE	PART NUMBER	REV	
	1:1	61114	RFP	DGXZ+06NFNF-A	N	
		SCALE	PROD CAT	DOCUMENT NAME	SHEET	OF
		1:1	RFP	DGXZ+06NFNF-A-C	1	1