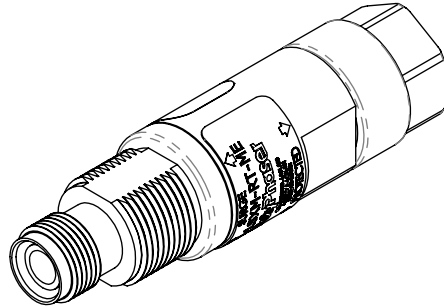


REVISIONS				
REV.	DESCRIPTION	ECN	DATE	APPROVED
B	REFER TO ECN	12236	12/6/13	MTH



MAXIMUM CHARACTERISTICS

APPLICATION:

BULKHEAD MOUNT/ALUMINUM CONSTRUCTION
WITH REVERSE PIN CONNECTORS
WEATHERPROOF WHEN INSTALLED

SURGE:

10kA IEC 1000-4-5 8/20μs WAVEFORM

* FREQUENCY RANGES:

2.0GHz TO 6.0GHz

* VSWR:

≤1.2 TO 1 TYPICAL (≤1.3 TO 1 MAX.)

* INSERTION LOSS:

≤0.1dB TYPICAL (≤0.2dB MAX.)

* RETURN LOSS:

≥20dB TYPICAL

CONTINUOUS POWER:

10W

LET THROUGH VOLTAGE:

±3 VOLTS FOR 3kA @ 8/20μs WAVEFORM

THROUGHPUT ENERGY:

≤0.5μJ FOR 3kA @ 8/20μs WAVEFORM

TEMPERATURE:

-40°C TO +85°C STORAGE/OPERATING

VIBRATION:

1G AT 5Hz TO 100Hz

ENVIRONMENTAL:

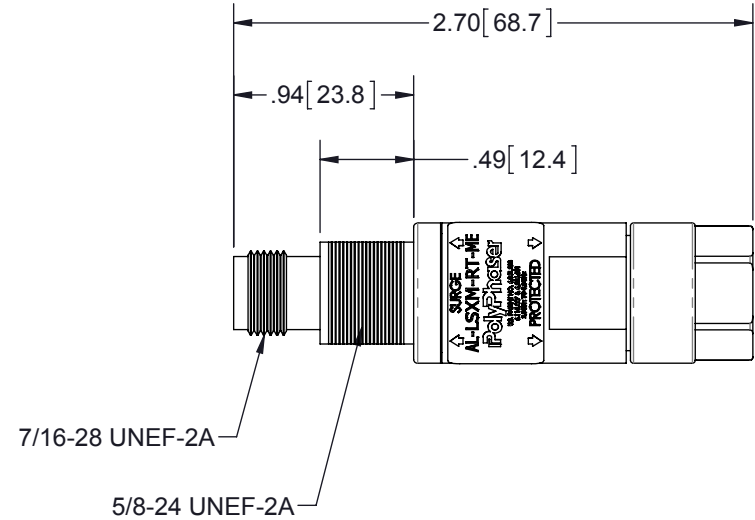
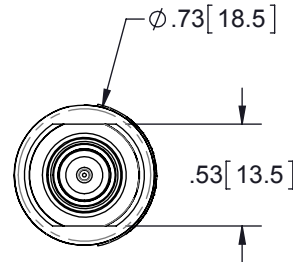
MEETS IEC 60529 IP65

MEETS BELLCORE #TA-NWT-000487

PROCEDURE 4.11, WIND DRIVEN (120MPH)

RAIN INTRUSION TEST

* THIS UNIT HAS A REVERSE GENDER PIN CONFIGURATION.
PERFORMANCE SPECIFICATIONS ARE SUBJECT TO
CONNECTOR/ADAPTOR QUALITY IN USE AND/OR DURING TESTING.



HARDWARE KIT INCLUDES:

QTY	DESCRIPTION
1	NUT 5/8-24 303 HEX SS
1	WASHER 5/8 410 SS
1	RING TERM 5/8" STUD 6AWG

CUSTOMER APPROVAL: _____ DATE: _____

ALL DIMENSIONS SHOWN ARE FOR REFERENCE ONLY.

THESE COMMODITIES, TECHNOLOGY OR SOFTWARE WERE EXPORTED FROM THE UNITED STATES IN ACCORDANCE WITH THE EXPORT ADMINISTRATION REGULATIONS. DIVERSION CONTRARY TO U.S. LAW PROHIBITED.

UNLESS OTHERWISE SPECIFIED LEADING DIMENSIONS ARE INCHES DIMENSIONS IN [] ARE MILLIMETERS	DRAWN	RCD	DATE	4/15/03		SHEET	1	OF	1	
	TOLERANCES: FRACTIONS=± 1/32 .XX=± .03 ANGLES=± 1° .XXX=± .010	ENG APPD	JLJ	5/12/03		SCALE	1:1			
NOTICE: THE INFORMATION AND DESIGN IN THIS DOCUMENT IS THE PROPERTY OF POLYPHASER CORPORATION. ALL RIGHTS RESERVED.	PRODUCT MGR	SJD	5/12/03	TITLE MINI LSX REV PIN TNC M EQ CUSTOMER SPECIFICATION						
	MARKETING APPD	SJD	5/12/03							
THIRD-ANGLE PROJECTION 	PROJECT NO.				DOCUMENT NAME	SIZE	CAGE	PROD CAT	PART NUMBER	REV
		AL-LSXM-RT-ME-C	A	30992	RFP	AL-LSXM-RT-ME	B			