



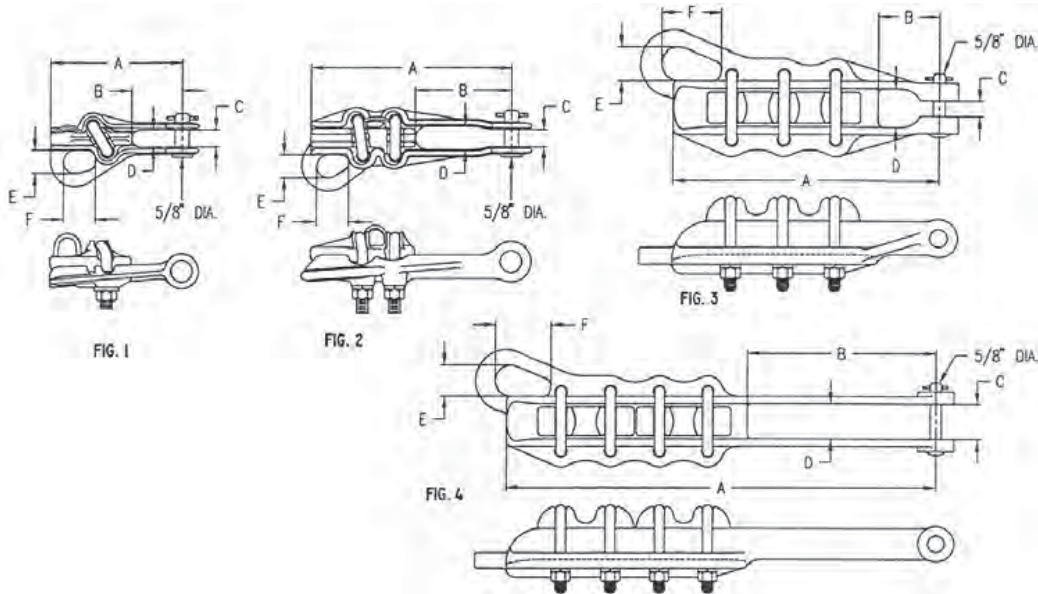
Straight Line, Feed Through Deadend Clamps

Aluminum Straight Line, Feed Through Deadend Clamps

Connects primary conductor to deadend insulator

Material

Body and Keeper: Aluminum Alloy A356-T6
 Cotter Pin and Compression Spring: Stainless steel
 Hardware: Steel hot dip galvanized ASTM A-153



Catalog Number	Conductor Range			U-Bolts		Dimensions						Ultimate Strength		Weight /100 (lbs)
	Inches	ACSR	Aluminum	No	Size	A	B	C	D	E	F	Body	Sag Eye	
ASD-1-N	0.150 - 0.470	#8 - 2/0	#6 - 3/0	1	1/2	5.75	2.25	0.69	0.75	1.00	1.38	7000	6000	121
ASD-1L-N	0.150 - 0.470	#8 - 2/0	#6 - 3/0	1	1/2	7.00	3.50	0.69	0.69	1.00	1.38	7000	600	125
ASD-2-N	0.190 - 0.470	#6 - 2/0	#6 - 3/0	2	3/8	6.50	2.25	0.69	0.63	1.00	1.38	7000	7000	124
ASD-2L-N	0.190 - 0.470	#6 - 2/0	#6 - 3/0	2	3/8	7.50	3.50	0.69	0.81	1.00	1.38	7000	7000	139
ASD-34-N	0.300 - 0.600	#2 - 266.8	#1 - 266.8	2	1/2	8.75	3.75	0.69	0.69	1.00	1.38	8500	8000	238
ASD-37-N	0.460 - 0.750	3/0 - 397.5	3/0 - 400	2	1/2	8.38	3.75	0.75	0.81	1.00	1.38	10000	10000	233
ASD-45-N	0.520 - 0.900	4/0 - 477	4/0 - 600	2	1/2	8.75	4.25	0.75	1.00	1.13	1.38	10000	10000	241
ASD-45L-N	0.520 - 0.900	4/0 - 477	4/0 - 600	2	1/2	10.13	5.63	0.75	1.25	1.00	1.38	12000	12000	253
ASD-58-N	0.650 - 1.250	211.3 - 1113	300 - 1113	2	1/2	9.63	5.25	0.75	1.38	1.13	1.50	15000	10000	344
ASD-69-N	0.720 - 1.550	336.4 - 1590	397.5 - 1800	2	5/8	10.75	6.00	0.81	1.75	1.13	1.50	15000	12000	446
ASD-92-N	1.380 - 2.000	1272 - 2156	1500 - 3000	3	5/8	14.13	3.25	0.81	2.00	1.75	3.00	25000	18750	1001

Notes:

- 1) Suffix "-N" indicates no fitting
- 2) Replace suffix "-N" with suffix "-S" for socket fitting
- 3) Recommended torque on U-Bolts: 3/8" - 20-25 ft/lbs; 1/2" - 40-45 ft/lbs