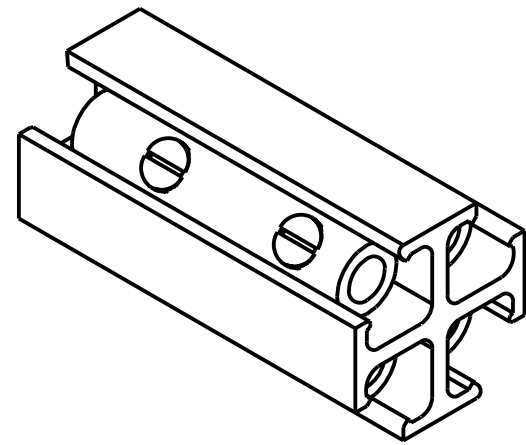


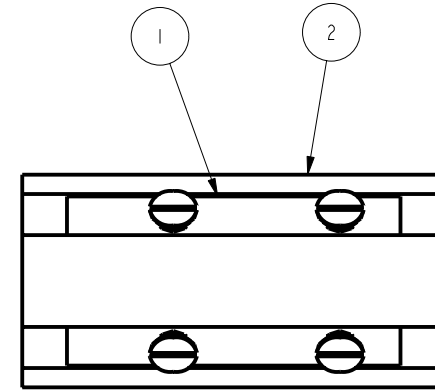
DRAWING NO.
SE212494-01

| KIT CATALOG NUMBER | ITEM | DESCRIPTION | QTY |
|--------------------|------|-----------------------------|-----|
| UGSKIT8 | 1 | SPLICE CONNECTOR (14-8 AWG) | 4 |
| | 2 | TERMINAL BLOCK | 1 |
| | 3 | 8" LONG SHRINK TUBE | 1 |

| REV | DATE | DESCRIPTION | ECO | BY | C'H'K. |
|-----|------------------------|--|-------|----|--------|
| B | 02/24/2014 00:00:00 AM | ADD NOTE TO DRAWING TO INDICATE LIMITATION ON UL LISTING TO UF CABLE | 35060 | TS | MA |



UGSKIT8



NOTES:

- THIS DRAWING IS TO BE INTERPRETED PER ASME Y14.5M-1994.
- UL LISTED TO STANDARD UL486D WIRE CONNECTOR SYSTEM FOR USE WITH UNDERGROUND CONDUCTORS. INSIDE DIAMETER TUBE SURFACE COATED WITH ADHESIVE. TUBE HAS A SHRINK RATIO OF 3:1.
- RATED FOR 600V 90 C. (MAX).
- UL LISTED FOR USE WITH UNDERGROUND FEEDER (UF) CABLE ONLY IN #14 - #8 WIRE RANGE.

TO ORDER BURNDY® PRODUCTS CALL
 UNITED STATES:
 1-800-346-4175 (LONDONDERRY, NH)
 CANADA:
 1-800-361-6975 (QUEBEC)
 1-800-387-6487 (ALL OTHER PROVINCES)
 FOR PRODUCT INFO: <http://www.burndy.com>

| UF DIRECT BURIAL SPLICE KIT | |
|--------------------------------|---------------|
| ITEM NO: 25015144 | |
| CAT. NO: UGSKIT8 | |
| DRAWN BY: B MICHAUD 01/10/00 | BURNDY |
| CHECKER: P LAPONIUS 05/11/00 | |
| DSN APPVL: D SPURRELL 04/02/12 | |
| MFG APPVL: L LAEAVITT 04/02/12 | |
| QA APPVL: J BRODEUR 04/10/12 | |
| MKT APPVL: S GALE 04/02/12 | SCALE: 1:1 |
| PROD FAM: CM&R MECHANICAL | DRAWING NO |
| PROJECT #: -- | SIZE |
| DOCUMENT TYPE: Sales | SE212494-01 |
| REL LEVEL: Released | SHEET 1 OF 1 |

REV: PE0200

