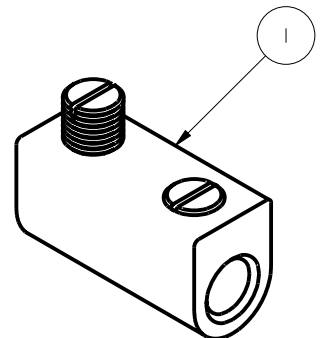


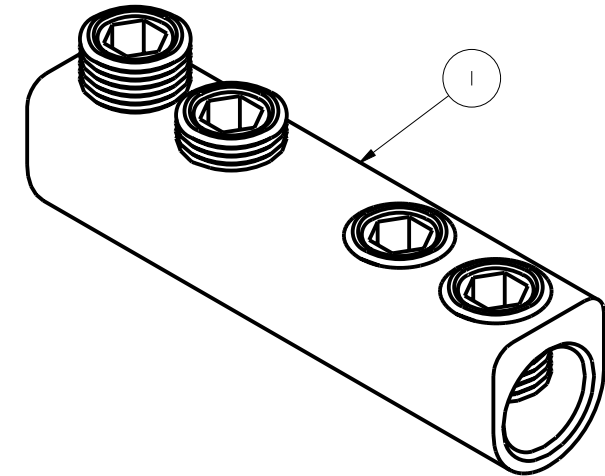
DRAWING NO.
SD211382-01

CATALOG NUMBER	ITEM	COMPONENT CATALOG NUMBER	DESCRIPTION	QTY
UGSKIT2	1	AMS-2-1	DUAL RATED SPLICE/REDUCER (8 STR. - 2 STR. ALUMINUM OR COPPER)	1
	2	HSB34H21/2	HEAVY WALL HEAT SHRINK TUBING I.D. = .75", 2.5" LONG	
	2	HSB110H5	HEAVY WALL HEAT SHRINK TUBING I.D. = .75", 5" LONG	
	NOT SHOWN	RKBAG4X9	SPLICE KIT BAG	
UGSKIT250	1	AMS-250-1	DUAL RATED SPLICE/REDUCER (1 STR. - 250 Kcmil ALUMINUM OR COPPER)	1
	2	HSB150H6	HEAVY WALL HEAT SHRINK TUBING I.D. = 1.5", 6" LONG	
	2	HSB150H8	HEAVY WALL HEAT SHRINK TUBING I.D. = 1.5", 8" LONG	
	NOT SHOWN	RKBAG7X115	SPLICE KIT BAG	

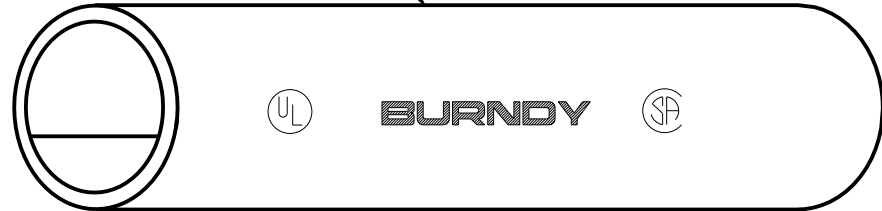
REV	DATE	DESCRIPTION	ECO	BY	C'H'K.
A	04/02/2012 00:00:00 AM	ADDED VOLTAGE RATING NOTE	27143	NG	NJS



AMS-2-1 UL SF 1



AMS-250-1 UL SF 1



HEAVY WALL HEAT SHRINK TUBING
UGS-KIT
(BAG AND INSTALLATION INSTRUCTIONS NOT SHOWN)

UL SF 3 4 5

NOTES:

- 1 AMS STYLE CONNECTORS ARE LISTED (UL486B STANDARD) AND CSA CERTIFIED.
- 2 RATED FOR 600V 90 C. (MAX).
- 3 HEAT SHRINK TUBING IS UL LISTED (UL486D STANDARD) AND CSA CERTIFIED (C22.2)
- 4 INSIDE DIAMETER SURFACE COATED WITH ADHESIVE.
- 5 SHRINK RATIO OF 3:1

TO ORDER BURNDY® PRODUCTS CALL
 UNITED STATES:
 1-800-346-4175 (LONDONDERRY, NH)
 CANADA:
 1-800-361-6975 (QUEBEC)
 1-800-387-6487 (ALL OTHER PROVINCES)
 FOR PRODUCT INFO: <http://www.burndy.com>

DIRECT BURIAL SPLICE KIT	
ITEM NO:	N/A
CAT. NO:	UCG-KIT- (TABLE)
DRAWN BY:	K BOUTIN 03/18/98
CHECKER:	K HENDRY 03/20/98
DSN APPVL:	D SPURRELL 04/02/12
MFG APPVL:	L LAEVITT 04/02/12
QA APPVL:	J BRODEUR 04/10/12
MKT APPVL:	S GALE 04/02/12
SCALE:	1:1
PROD FAM:	CM&R MECHANICAL
PROJECT #:	--
DOCUMENT TYPE:	Sales
REL LEVEL:	Released
DRAWING NO	SD211382-01
REV	A
SHEET 1 OF 1	

REV: PE0200