

DRAWING NO.
SE211937

REV	DATE	DESCRIPTION	ECO	BY	C'H'K.
A	8/21/2008 12:00:00 AM	REDRAW IN PROE	16591	BT	BSK

CATALOG NUMBER	STRANDED COPPER CONDUCTOR ACCOMMODATED			BOLT SIZE	METRIC BOLT SIZE	DIMENSIONS								
	CODE (AWG)	NAVY	METRIC SIZE (CLASS 2)			B	C	E	K DIA	L	N	O.D.	T REF.	Z MIN.
YAZ362N	600 Kcmil	---	300mm ² STR [23.1]	1/2	M12	2.69 [68]	1.74 [44]	1.75 [44]	.56 [14]	6.55 [166]	.62 [16]	1.19 [30]	.26 [7]	.64 [16]
YAZ372N	650 Kcmil	---	---	1/2	M12	2.81 [71]	1.80 [46]	↑	↑	6.70 [170]	↑	1.23 [31]	.27 [7]	↑
YAZ382N	700 Kcmil	---	---	1/2	M12	2.81 [71]	1.84 [47]	↓	↓	6.72 [171]	↓	1.25 [32]	↓	↓
YAZ392N	750 Kcmil	---	375mm ² STR	1/2	M12	2.88 [73]	1.91 [49]	1.75 [44]	.56 [14]	6.82 [173]	.62 [16]	1.30 [33]	.27 [7]	.64 [16]

CONNECTOR SIZE	TOLERANCES						
	B	C	E	K DIA.	L	N	O.D.
-6C THRU -25	±.06	+0.04 -.02	±.02	±.02	±.09	±.03	±.01
-26 THRU -34	±.08	+0.04 -.06	±.02	±.02	±.12	±.03	±.01
-35 AND UP	±.09	±.06	±.02	±.02	±.15	±.06	±.01

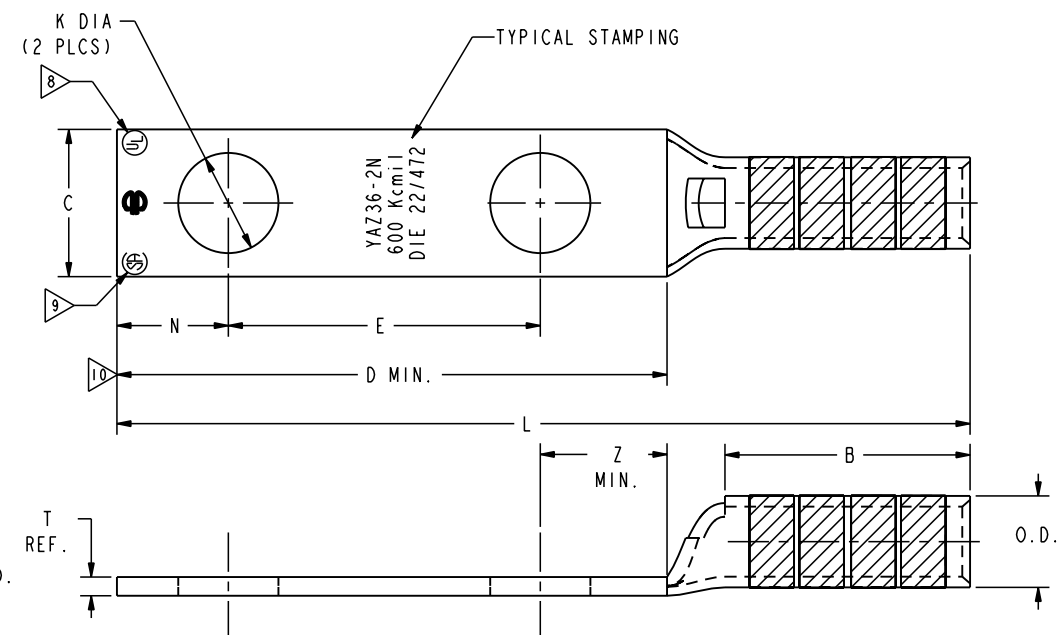
INSTALLATION TOOLING (# CRIMPS)

CATALOG NO.	COLOR CODE	DIE INFORMATION		MECHANICAL RACHET					HYDRAULIC					DIELESS (# CRIMPS)	WIRE STRIP LENGTH		
		DIE INDEX	TYPE	Y2MR	OUR840	MD6 MD7	MD6--R2 BAT500	MD7-34R	Y34A Y34B Y34BH	Y35, Y39 Y750, BAT35 BAT750	Y46	Y45	Y48B			Y60BHU	
YAZ362N	GREEN	22 472	GREEN DIE SET	---	---	---	---	---	---	---	U36RT(4) U32ART(4)	U36RT(4) U32ART(4)	U36RT(4) U32ART(4)	C36R(2) C32AR(2)	L36RT(2) L32ART(2)	HYDRAULIC: Y644M(1) BAT644M(1)	2-3/4"
			NEST	---	---	---	---	---	---	---	P36D(2)	---	C36D(2)	---			
			INDENTOR	---	---	---	---	---	---	---	P44PR	---	Y48PR	---			
YAZ372N	ORANGE	23	ORANGE DIE SET	---	---	---	---	---	---	---	U37RT(4)	U37RT(4)	U37RT(4)	C37R(2)	L37RT(2)	HYDRAULIC: Y644M(1) BAT644M(1)	2-7/8"
			NEST	---	---	---	---	---	---	---	P37D(2)	---	C37D(2)	---			
			INDENTOR	---	---	---	---	---	---	---	P44PR	---	Y48PR	---			
YAZ382N	PINK	400	PINK DIE SET	---	---	---	---	---	---	---	U38RT(4)	U38RT(4)	U38RT(4)	---	L38RT(2)	HYDRAULIC: Y644M(1) BAT644M(1)	2-7/8"
			NEST	---	---	---	---	---	---	---	P38D(2)	---	C38D(2)	---			
			INDENTOR	---	---	---	---	---	---	---	P44PR	---	Y48PR	---			
YAZ392N	BLACK	24	BLACK DIE SET	---	---	---	---	---	---	---	U39RT(4)	U39RT(4) P39RT(4)	U39RT(4) S39RT(4)	C39R(2) C36AR(2)	L39RT(2) L36ART(2)	HYDRAULIC: Y644M(1) BAT644M(1)	2-15/16"
			NEST	---	---	---	---	---	---	---	P39D(2)	---	C39D(2)	---			
			INDENTOR	---	---	---	---	---	---	---	P44PR	---	Y48PR	---			

TOLERANCE BLOCK

NOTES:

- MATERIAL: COPPER TUBING.
- FINISH: TIN PLATED.
- CATALOG # PT6515 ADAPTOR IS REQUIRED TO USE "U" DIES IN Y45 SERIES TOOLS.
- CATALOG # PUADP-1 ADAPTOR IS REQUIRED TO USE "U" DIES IN Y46 SERIES TOOLS.
- PERMANENT DIE IN TOOLING.
- DIMENSIONS IN BRACKETS [] ARE IN MILLIMETERS ROUNDED OFF TO THE NEAREST MILLIMETER, UNLESS OTHERWISE NOTED, AND ARE FOR REFERENCE ONLY.
- FOR USE BY CUSTOMERS THAT HAVE THIS HYPRESS™. NO NEW Y34A HYPRESS™ TOOLS ARE BEING PROCESSED. Y34A USES A--D TYPE NEST DIES.
- CONNECTORS ARE UL LISTED; UNDRILLED VERSIONS ARE NOT UL LISTED.
- CONNECTORS ARE CSA CERTIFIED; UNDRILLED VERSIONS ARE NOT CSA CERTIFIED.
- FOR UNDRILLED VERSIONS ADD SUFFIX "-U" TO END OF CATALOG NUMBER. FOR UNDRILLED VERSIONS, USE D MIN. = N MAX. + E MAX. + Z MIN.
- "X", "W-RT", "W-VT", "U", & "L" DIE SETS ARE COLOR CODED. "A", "B", AND "C" DIES ARE NOT COLOR CODED. NESTS AND INDENTOR TYPE ARE NOT COLOR CODED.



REFERENCE: SE211938

TO ORDER BURNDY® PRODUCTS CALL		HYLUG™	
UNITED STATES		ITEM NO: N/A	
1-800-346-4175 (LONDONDERRY, NH)		CAT. NO: YAZ--2N(SEE TABLE)	
CANADA:		DRAWN BY: D BOISVERT 01/19/99	
1-800-361-6975 (QUEBEC)		CHECKER: J MITCHAUD 2/08/99	
1-800-387-6487 (ALL OTHER PROVINCES)		DSN APPVL: B MACDONALD 2/08/99	
FOR PRODUCT INFO: http://www.burndy.com		MFG APPVL: N/A	
		QA APPVL: S GRAY 2/09/99	
		MKT APPVL: K.WOO 2/08/99	
		SCALE: 1:1	
		DRAWING NO	
		SE211937	
		SHEET 5 OF 8	
		REV	
		A	

REV: PE0200