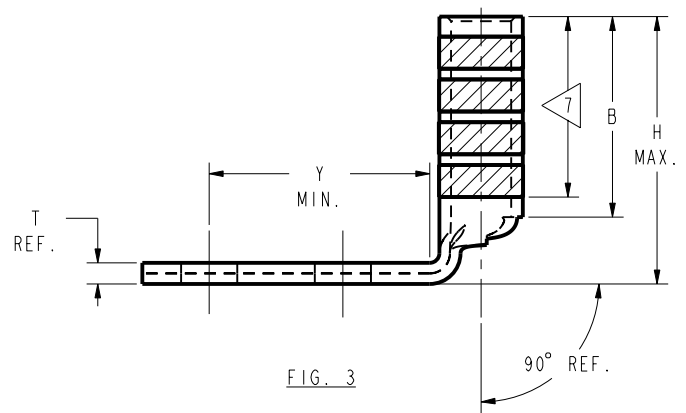
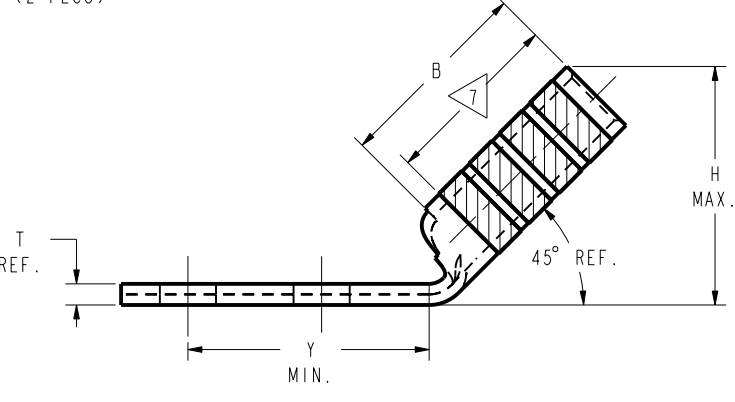
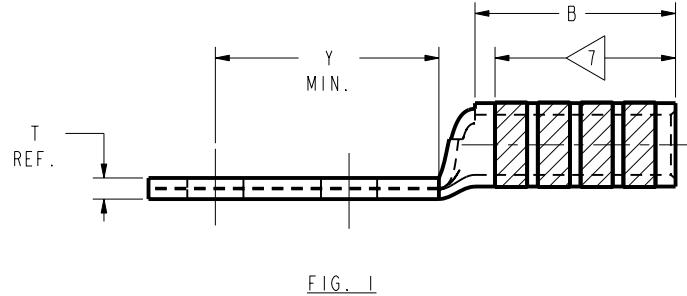
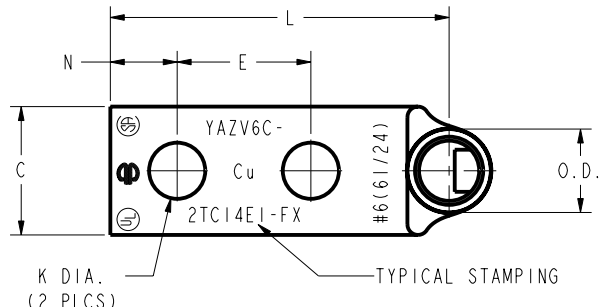
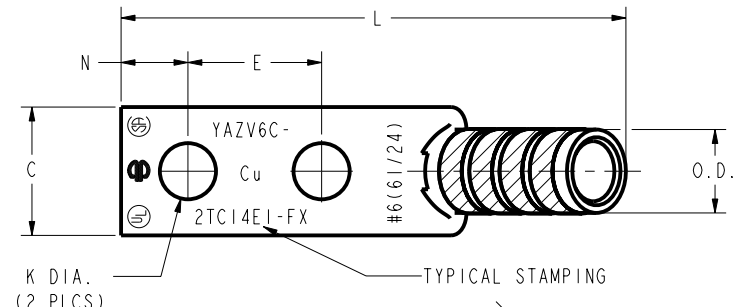
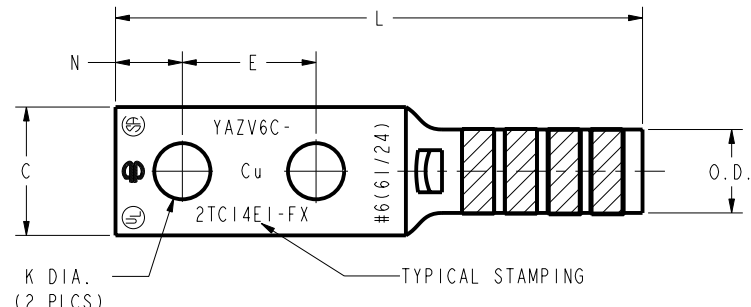


REV	DATE	DESCRIPTION	ECO	BY	C'H'K.
B	1/11/2001 12:00:00 AM	REDRAW AND CATALOG NUMBER UPDATON OF SALES DRAWINGS	17057	BSB	BSK

CATALOG NO.	CONDUCTOR		BOLT SIZE	FIG. NO.	DIMENSIONS										INSTALLATION TOOLING (# CRIMPS)											
	FLEX	CODE (AWG)			B	C	E	H MAX.	K DIA.	L	N	O.D.	T REF.	Y MIN.	DIE INDEX	COLOR CODE	MECHANICAL				HYDRAULIC			DIELESS (# CRIMPS)	WIRE STRIP LENGTH	
																	MD7-34R	OUR840	Y2MR	BCT500 Y500CT	Y750 Y35, BAT35 Y39, BAT750	Y46	Y45			
YAZV6C2TC14EIFX	#6 WELD 61/24	#6 AWG	1/4 [M6]	1	.75 [19]	.48 [12]	1.00 [25]	---	.27 [7]	2.60 [66]	.31 [8]	.08 [2]	1.34 [34]	7 OR 374	BLUE	7	7	BLUE (2)	7	7	7	7	7	7	MECHANICAL: MY29-11 (1) HYDRAULIC: Y644, Y644M Y644MBH, 1 CRIMP	1-3/16
YAZV6C2TC14EIFX45				2				.94 [24]		2.58 [66]	.31 [8]															
YAZV6C2TC14EIFX90				3				1.00 [25]		1.88 [48]																
YAZV6C2TC516FX			5/16 [M8]	1			---		.33 [8]	2.66 [68]																
YAZV6C2TC516FX45				2	.52 [13]	1.00 [25]	.94 [24]		.33 [8]	2.63 [67]	.34 [9]	.07 [2]	1.37 [35]	7 OR 374	BLUE											
YAZV6C2TC516FX90	#6 WELD 61/24	#6 AWG		3	.75 [19]		1.00 [25]			1.95 [50]	.31 [8]														1-3/16	



- NOTES:
- MATERIAL: COPPER TUBING.
 - FINISH: TIN PLATED.
 - CATALOG # PT6515 ADAPTOR IS REQUIRED TO USE "U" DIES IN Y45 SERIES TOOLS.
 - CATALOG # PUADP-1 ADAPTOR IS REQUIRED TO USE "U" DIES IN Y46 SERIES TOOLS.
 - PERMANENT DIE IN TOOLING.
 - DIMENSIONS IN BRACKETS [] ARE IN MILLIMETERS ROUNDED OFF TO THE NEAREST MILLIMETER, UNLESS OTHERWISE NOTED, AND ARE FOR REFERENCE ONLY.
 - OVERLAP 2 CRIMPS AS NEEDED WITHIN THE LENGTH BETWEEN THE INK STAMPED CRIMPING AREA.

<p>TO ORDER BURNDY® PRODUCTS CALL</p> <p>UNITED STATES 1-800-346-4175 (LONDONDERRY, NH)</p> <p>CANADA: 1-800-361-6975 (QUEBEC) 1-800-387-6487 (ALL OTHER PROVINCES)</p> <p>FOR PRODUCT INFO: http://www.fciconnect.com</p>	HYLUG™ (TWO HOLE FLEX)	
	ITEM NO:	N/A
	CAT. NO:	YAZV6C- (TABLE)
	DRAWN BY:	D BOISVERT 8/19/99
	CHECKER:	K HENRY 8/26/99
	DSN APPVL:	RR TEAM 9/28/99
	MFG APPVL:	-- --
	QA APPVL:	J BRODEUR 10/6/99
MKT APPVL:	R ROBICHEAU 10/5/99	
PROD FAM:	--	SCALE: NTS
PROJECT #:	--	DRAWING NO
DOCUMENT TYPE:	Sales	REV
REL LEVEL:	Released	SE212273
	SIZE	D
		SHEET 4 OF 48

REV: PE0200