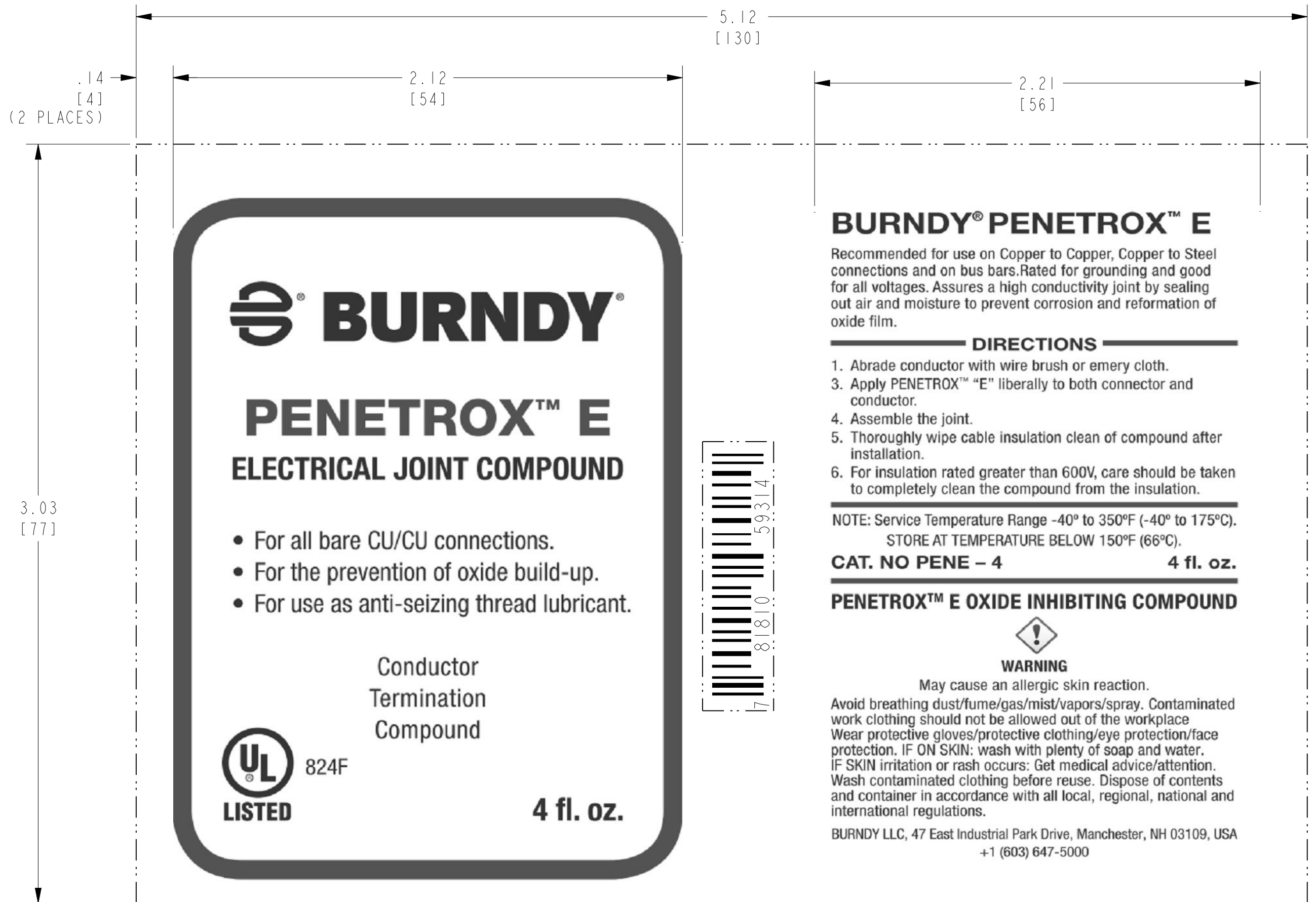
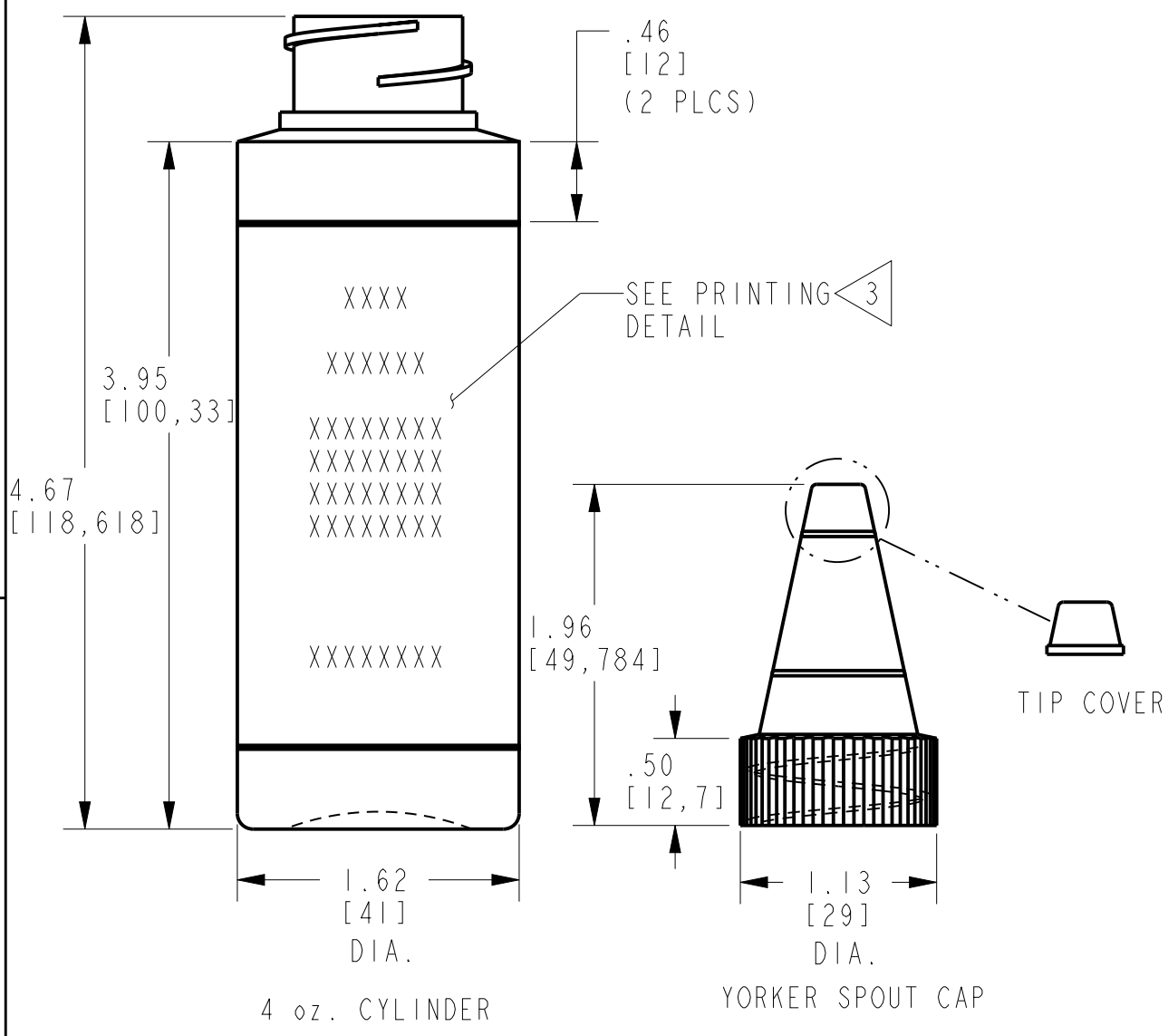


| REV | DATE                   | DESCRIPTION                       | ECO   | BY | C'HK. |
|-----|------------------------|-----------------------------------|-------|----|-------|
| G   | 10/20/2017 00:00:00 AM | UPDATE PRINTING DETAIL PER MARKUP | 47843 | TS | RG    |



ENLARGED VIEW OF PRINTING DETAIL

NOTES:

1. MATERIAL: POLYETHYLENE  
COLOR: BOTTLE: OPAQUE WHITE  
CAP: CLEAR
2. ALL DIMENSIONS ARE REFERENCE.
3. PRINTING TO APPEAR CIRCUMFERENTIALLY ON BOTTLE.
4. CONTENTS: 4 oz. OF PENETROX™ E.
5. DIMENSIONS IN BRACKETS [ ] ARE IN MILLIMETERS ROUNDED OFF TO THE NEAREST MILLIMETER, UNLESS OTHERWISE NOTED, AND ARE FOR REFERENCE ONLY.

TO ORDER BURNDY® PRODUCTS CALL  
UNITED STATES:  
1-800-346-4175 (LONDONDERRY, NH)  
CANADA:  
1-800-361-6975 (QUEBEC)  
1-800-387-6487 (ALL OTHER PROVINCES)  
FOR PRODUCT INFO: <http://www.burndy.com>

| PENETROX™ E 4 oz. BOTTLE |                     |
|--------------------------|---------------------|
| ITEM NO:                 | 547045              |
| CAT. NO:                 | PENE - 4            |
| DRAWN BY:                | C. RACCANO 08/10/83 |
| CHECKER:                 | A. J. M. 08/12/83   |
| DSN APPVL:               | C. M. 08/18/83      |
| MFG APPVL:               | --                  |
| QA APPVL:                | --                  |
| MKT APPVL:               | --                  |
| PROD FAM:                | --                  |
| PROJECT #:               | --                  |
| DOCUMENT TYPE:           | Sales               |
| REL LEVEL:               | Released            |
| SCALE:                   | 1:1                 |
| DRAWING NO               | SC087708-01         |
| REV                      | G                   |
| SHEET 1 OF 1             |                     |



REV: PE0200

A