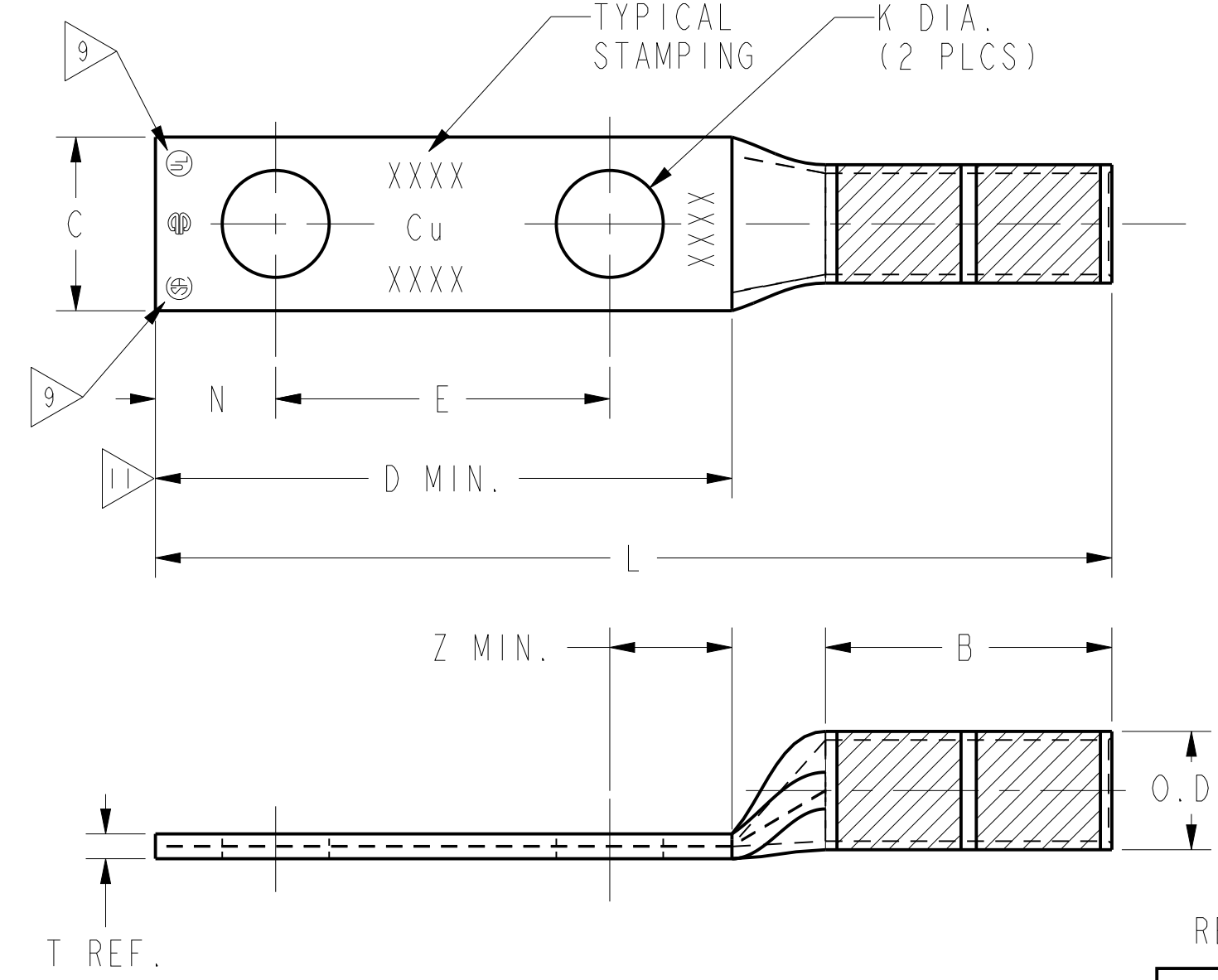


CATALOG NUMBER	STRANDED COPPER CONDUCTOR ACCOMMODATED			BOLT SIZE	METRIC BOLT SIZE	DIMENSIONS								
	CODE (AWG)	NAVY	METRIC SIZE (CLASS 2)			B	C	E	K DIA.	L	N	O.D.	T REF.	Z MIN.
YA1C2N	#1 AWG	75	-----	1/2	M12	1.38 [35]	.83 [21]	↑ 1.75 [44]	↑ .56 [14]	4.82 [122]	↑ .63 [16]	.46 [12]	.12 [3]	↑
YA252N	1/0 AWG	100	-----	1/2	M12					4.81 [122]		.51 [13]	.11 [3]	
YA262N	2/0 AWG	125	70mm ² STR [11]	1/2	M12	1.50 [38]	.91 [23]	↓ 1.75 [44]	↓ .56 [14]	4.97 [126]	↓ .63 [16]	.56 [14]	.12 [3]	↓
YA272N	3/0 AWG	150	-----	1/2	M12					5.01 [127]		.62 [16]	.13 [3]	

TOLERANCE BLOCK							
CONNECTOR SIZE	TOLERANCES						
	B	C	E	K DIA.	L	N	O.D.
-6C THRU -25	±.06	±.04	±.02	±.02	±.09	±.03	±.01
-26 THRU -34	±.08	±.04	±.02	±.02	±.12	±.03	±.01
-35 AND UP	±.09	±.06	±.02	±.02	±.15	±.06	±.01

INSTALLATION TOOLING (# CRIMPS)																
CATALOG NO.	COLOR CODE	DIE INFORMATION		MECHANICAL RATCHET					HYDRAULIC					DIELESS (# CRIMPS)	WIRE STRIP LENGTH	
		DIE INDEX	TYPE	YIMRTC	OUR840	MD6 MD7	MD6--R2 BAT500 BCT500	MD7-34R	Y34A Y34B Y34BH	Y35, Y39 Y750, BAT35 BAT750	Y46	Y45	Y48B			Y60BHU
YA1C2N	GREEN	11 375	GREEN DIE SET	GREEN (4)	X1CRT-1 (2)	W1CRT-1(2) W1CVT(2)	W1CRT-1(2) W1CVT(2)	W1CRT-1(2) W1CVT(2)	-----	U1CRT-1(2) U4CABT(2)	U1CRT-1(2) U4CABT(2)	U1CRT-1(2) U4CABT(2)	-----	-----	MECHANICAL: MY29-3(2), MY29-11(2) MRC-840(2) HYDRAULIC: Y644(1) PAT644(1) Y81KFT-SERIES(2) Y4PC834-SERIES(2)	1-7/16"
			NEST INDENTOR	-----	-----	-----	-----	B1CD(1) A1CD(1) Y34PR	U1CD-1(1) Y34PR	U1CD-1(1) Y34PR	U1CD-1(1) Y34PR	-----	-----			
YA252N	PINK	12 348	PINK DIE SET	-----	X25RT(4)	W25RT(4) W25VT(4)	W25RT(4) W25VT(4)	W25RT(4) W25VT(4)	A25R(2)	U25RT(2) U2CABT(2)	U25RT(2) U2CABT(2)	U25RT(2) U2CABT(2)	-----	-----	MECHANICAL: MY29-3(2), MY29-11(2) MRC-840(4)	1-7/16"
			NEST INDENTOR	-----	-----	-----	-----	B25D(1) A25D(1) Y34PR	U25D-1(1) Y34PR	U25D-1(1) Y34PR	U25D-1(1) Y34PR	-----	-----			
YA262N	BLACK	13	BLACK DIE SET	-----	X26RT(4)	W26RT(4) W26VT(4)	W26RT(4) W26VT(4)	W26RT(4) W26VT(4)	-----	U26RT(2)	U26RT(2)	U26RT(2)	-----	-----	HYDRAULIC: Y644(1) PAT644(1) Y81KFT-SERIES(2) Y4PC834-SERIES(2)	1-9/16"
			NEST INDENTOR	-----	-----	-----	-----	B26D(1) A26D(1) Y34PR	U26D-1(1) Y34PR	U26D-1(1) Y34PR	U26D-1(1) Y34PR	-----	-----			
YA272N	ORANGE	14	ORANGE DIE SET	-----	X27RT(6)	W27RT(4) W27VT(4)	W27RT(4) W27VT(4)	W27RT(4) W27VT(4)	-----	U27RT(2)	U27RT(2)	U27RT(2)	-----	-----	1-9/16"	
			NEST INDENTOR	-----	-----	-----	-----	B27D(1) A27D(1) Y34PR	U27D-1(1) Y34PR	U27D-1(1) Y34PR	U27D-1(1) Y34PR	-----	-----			

- NOTES:
- MATERIAL: COPPER TUBING
 - FINISH: TIN PLATED. FOR UNPLATED VERSION, ADD SUFFIX "BR" TO CATALOG NO. EX. YA1C2NBR.
 - CATALOG # PT6515 ADAPTOR IS REQUIRED TO USE "U" DIES IN Y45 SERIES TOOLS.
 - CATALOG # PUADP-1 ADAPTOR IS REQUIRED TO USE "U" DIES IN Y46 SERIES TOOLS.
 - Y35P3 INDENTOR ADAPTOR REQUIRED FOR Y34PR INDENTOR.
 - PERMANENT DIE IN TOOLING.
 - DIMENSIONS IN BRACKETS [] ARE IN MILLIMETERS ROUNDED OFF TO THE NEAREST MILLIMETER, UNLESS OTHERWISE NOTED, AND ARE FOR REFERENCE ONLY.
 - FOR USE BY CUSTOMERS THAT HAVE THIS HYPRESS™. NO NEW Y34A HYPRESSES™ ARE BEING PROCESSED. Y34A USES A--D TYPE NEST DIES.
 - CONNECTORS ARE UL LISTED; UNDRILLED VERSIONS ARE NOT UL LISTED.
 - CONNECTORS ARE CSA CERTIFIED; UNDRILLED VERSIONS ARE NOT CSA CERTIFIED.
 - FOR UNDRILLED VERSIONS ADD SUFFIX "-U" TO END OF CATALOG NUMBER. FOR UNDRILLED VERSIONS, USE D MIN. = N MAX. + E MIN. + Z MIN.
 - "X", "W-RT", "W-VT", "U", & "L" DIE SETS ARE COLOR CODED. "A", "B", AND "C" DIES ARE NOT COLOR CODED. NESTS AND INDENTOR TYPE ARE NOT COLOR CODED.
 - BAT500 & BCT500 ARE HYDRAULIC TOOLS.
 - ADD SUFFIX "DT" OR "DTS" TO ORDER LUGS WITH CRIMP BARREL SEALED AIR TIGHT INSIDE THE TRANSITION.



REFERENCE: SE209513

TO ORDER BURNDY® PRODUCTS CALL UNITED STATES 1-800-346-4175 (LONDONDERRY, NH) CANADA: 1-800-361-6975 (QUEBEC) 1-800-387-6487 (ALL OTHER PROVINCES) FOR PRODUCT INFO: http://www.burndy.com	HYLUG™	
	ITEM NO:	N/A
	CAT. NO:	YA--2N (SEE TABLE)
	DRAWN BY:	J MICHAUD 11/18/94
	CHECKER:	D FILLION 11/18/94
	DSN APPVL:	C PALAGI 10/24/94
	MFG APPVL:	--
	QA APPVL:	C ACKERMAN 11/17/94
	MKT APPVL:	T NELSON 11/10/94
	PROD FAM:	CM&R COMPRESSION
PROJECT #:	SD031189	
DOCUMENT TYPE:	Sales	
REL LEVEL:	Released	
DRAWING NO		SCALE: NTS
SHEET 2 OF 10		REV