

CONNECTOR SIZE	TOLERANCES					
	B	C	K DIA.	L	N	O.D.
-10C	±.03	±.04	±.02	±.06	±.03	±.01
8C - 25	±.06	±.04	±.02	±.09	±.03	±.01
26 - 34	±.08	±.04	±.02	±.12	±.03	±.01
35 AND UP	±.09	±.06	±.02	±.15	±.06	±.01

REV	DATE	DESCRIPTION	ECO	BY	C'H'K.
M	05/05/2017 16:12:00 PM	YA32LN516FX135 ADDED AS PER MU	46658	SM	MB

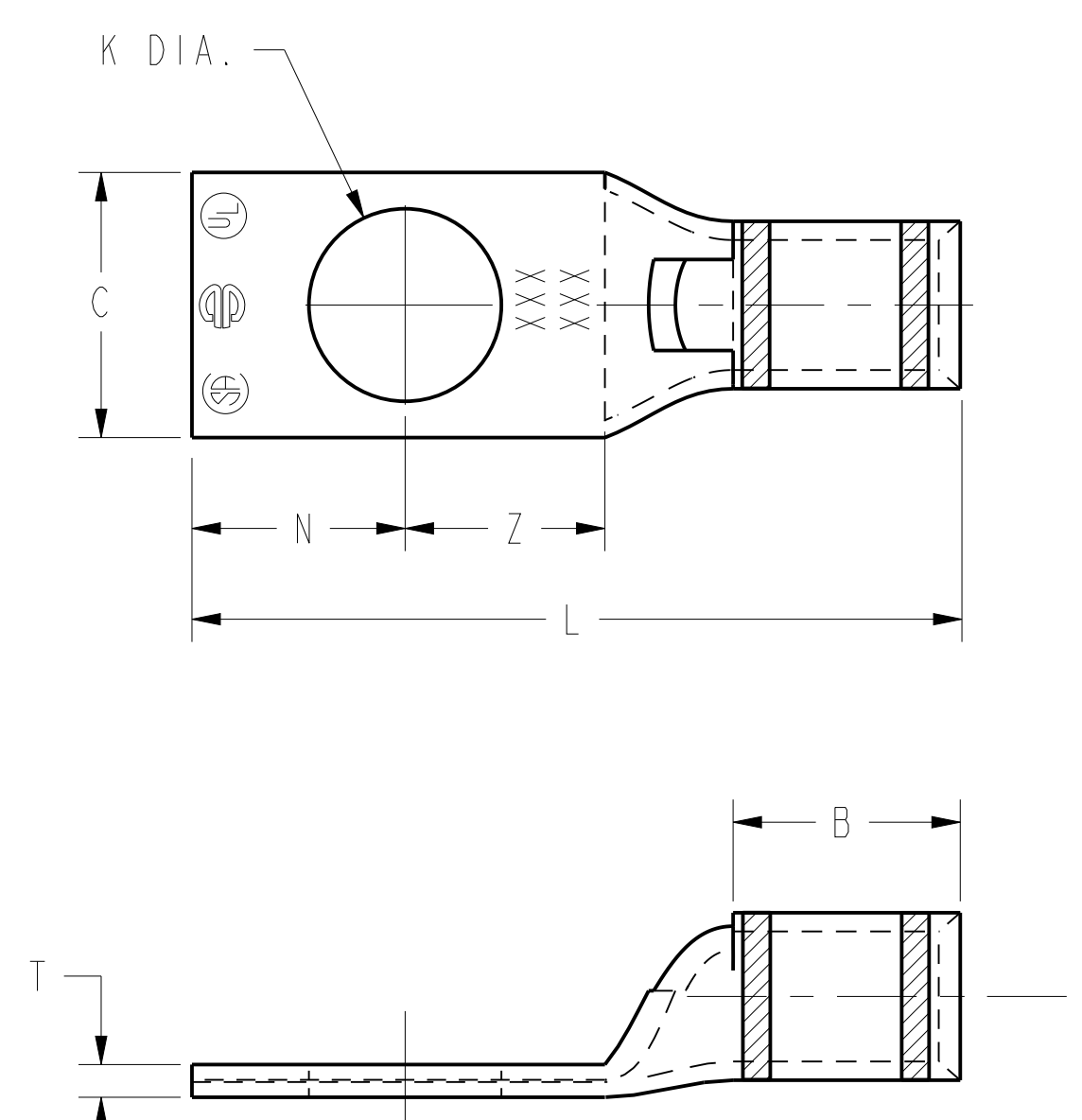


FIG. 1

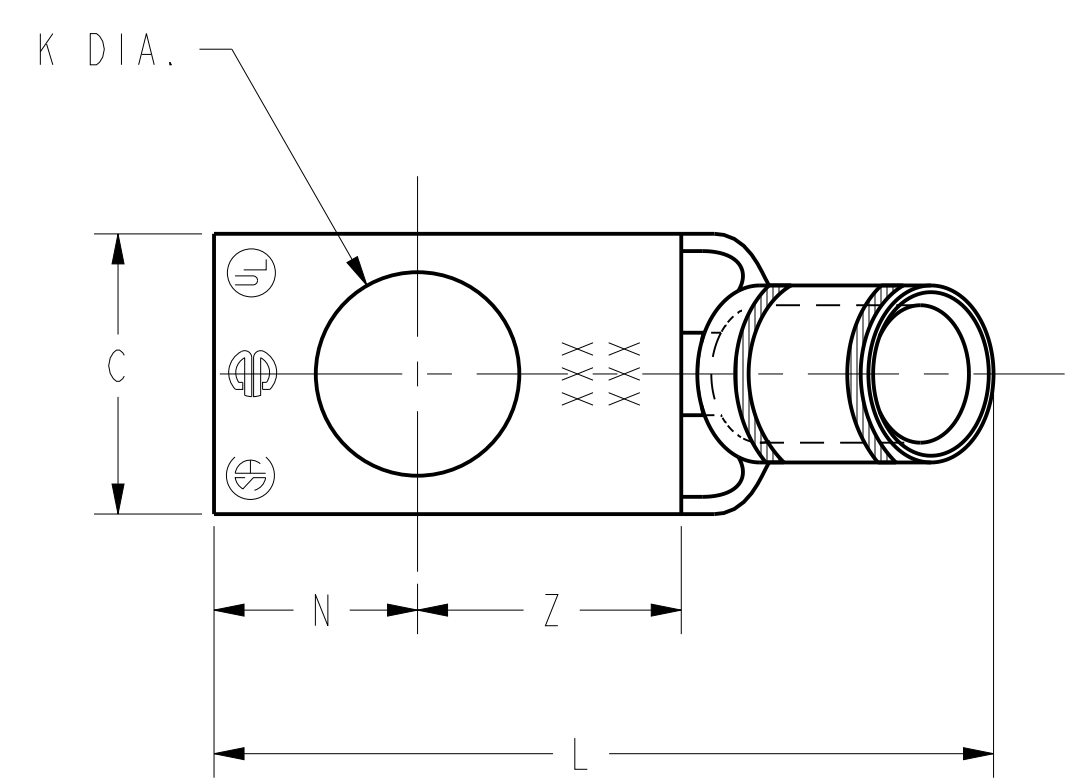


FIG. 2

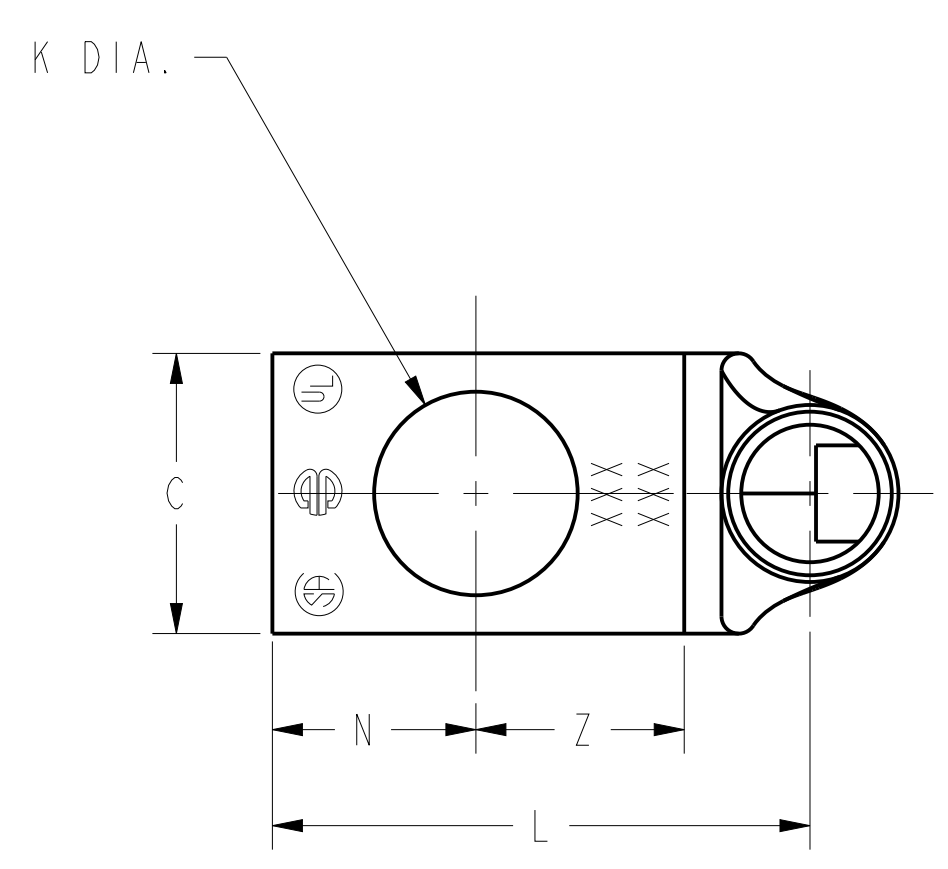


FIG. 3

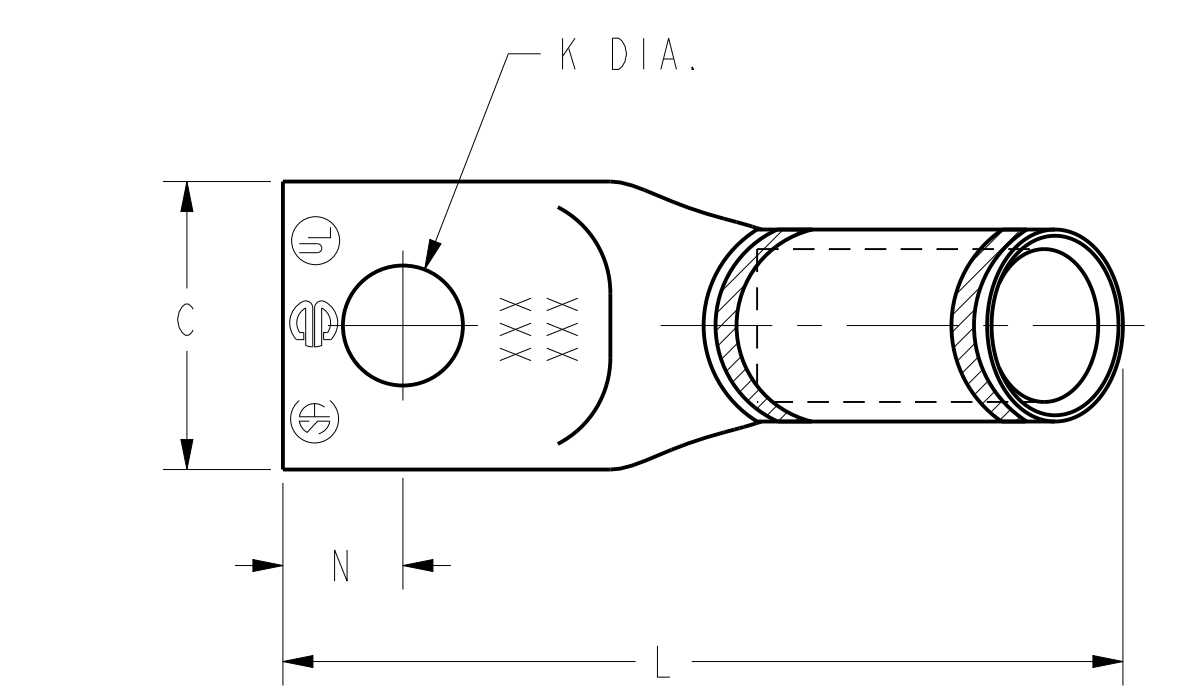


FIG. 4

NOTES:

- MATERIAL: COPPER TUBING.
- FINISH: TIN PLATED. THE FOLLOWING SUFFIXES DENOTE OPTIONAL PLATING TYPES. BR=BARE; LD=LEAD; NK=NICKEL; SV=SILVER. (EXAMPLE: YAV6CLTC38FXBR).
- CATALOG # PT6515 ADAPTOR IS REQUIRED TO USE "U" DIES IN Y45 SERIES TOOLS.
- CATALOG # PUADP-1 ADAPTOR IS REQUIRED TO USE "U" DIES IN Y46 SERIES TOOLS.
- NAVY CABLE SIZE MAY BE OMITTED ON SOME SIZES BECAUSE OF SPACE LIMITATIONS.
- PERMANENT DIE IN TOOLING.
- DIMENSIONS IN [] BRACKETS ARE IN MILLIMETERS, ROUNDED OFF TO THE NEAREST MILLIMETER UNLESS OTHERWISE NOTED. METRIC DIMENSIONS ARE FOR REFERENCE ONLY.
- IF HIGHEST REVISION OF THIS SALES PRINT IS AFFECTED, UPDATE PRINT WSA208758 TO INCLUDE THE NEW REVISION.
- ALL OF THE CATALOG NUMBERS FOR THESE HYLUGS™, CAN BE ORDERED WITH OR WITHOUT SKIVE.
EXAMPLE: YA34L-TC12-FX (SKIVE)
YAG34L-TC12-FX (NO SKIVE)
- UL LISTED AND CSA CERTIFIED CONNECTORS.
- UNDRILLED VERSIONS ARE NOT UL LISTED OR CSA CERTIFIED.
- FOR UNDRILLED VERSIONS ADD SUFFIX "-U" TO END OF CATALOG NUMBER.
FOR UNDRILLED VERSIONS, USE D MIN. = N MAX. + Z MIN.
- THESE CATALOG NUMBERS CANNOT BE INSTALLED WITH Y45 OR Y46 TOOLING.

TO ORDER BURNDY® PRODUCTS CALL		HYLUG™	
UNITED STATES		DRAWING NO	
1-800-346-4175 (LONDONDERRY, NH)		REV	
CANADA:		SCALE: NTS	
1-800-361-6975 (QUEBEC)		PROJECT #	
1-800-387-6487 (ALL OTHER PROVINCES)		SIZE	
FOR PRODUCT INFO: http://www.burndy.com		DOCUMENT TYPE: Sales	
		REL LEVEL: Released	
		D	
		SE208001	
		SHEET 1 OF 18	
		M	

REV: PEO200

REV	DATE	DESCRIPTION	ECO	BY	CHK.
M	05/05/2017 16:12:00 PM	YA32LN516FX135 ADDED AS PER MU	46658	SM	MB

D	CATALOG NO.	COPPER CONDUCTOR			BOLT SIZE	FIG. NO.	DIMENSIONS							BURNDY® INSTALLATION TOOLING (# CRIMPS)								D				
		FLEX	CODE (AWG)	NAVY			B	C	H	K	L	N	O.D.	T REF.	Z MIN.	DIE INDEX	COLOR CODE	MECHANICAL			HYDRAULIC			DIELESS (# CRIMPS)	WIRE STRIP LENGTH	
																		MD7-34R MD6	OUR840	YIMRTC Y122CMR	PATMD6, PAT600, YCT500		Y750, Y35, Y39, BAT35, PAT750			Y46 PAT46
	YAV6CLTC10FX	6 AWG CLASS G-M DLO(61/24) 16 mm² CLASS 5	#6 AWG CLASS B,C	30	#10	1	.50 [13]	-----	1.30 [33]	.25 [6]	.31 [8]	.08 [2]	.27 [7]	7 OR 374	BLUE	W5CRT X5CRT W5CVT (1)	X5CRT W5CVT (1)	(1 CRIMP)	W5CRT X5CRT W5CVT (1)	U5CRT (1)	U5CRT (1)	U5CRT (1)		1/2"		
	YAV6CLTC10FX45						.48 [12]	.78 [20]																	.21 [5]	1.26 [32]
	YAV6CLTC10FX90						.90 [23]	.76 [19]																		
	YAV6CLTC14FX	6 AWG CLASS G-M DLO(61/24) 16 mm² CLASS 5	#6 AWG CLASS B,C	30	1/4	1	.50 [13]	-----	1.43 [36]	.31 [8]	.08 [2]	.33 [8]	7 OR 374	BLUE	W5CRT X5CRT W5CVT (1)	X5CRT W5CVT (1)	(1 CRIMP)	W5CRT X5CRT W5CVT (1)	U5CRT (1)	U5CRT (1)	U5CRT (1)		1/2"			
	YAV6CLTC14FX45						.48 [12]	.78 [20]																.27 [7]	1.39 [35]	
	YAV6CLTC14FX90						.90 [23]	.88 [22]																		
	YAV6CLTC516FX	6 AWG CLASS G-M DLO(61/24) 16 mm² CLASS 5	#6 AWG CLASS B,C	30	5/16	1	.50 [13]	-----	1.49 [38]	.34 [9]	.07 [2]	.36 [9]	7 OR 374	BLUE	W5CRT X5CRT W5CVT (1)	X5CRT W5CVT (1)	(1 CRIMP)	W5CRT X5CRT W5CVT (1)	U5CRT (1)	U5CRT (1)	U5CRT (1)		1/2"			
	YAV6CLTC516FX45						.52 [13]	.78 [20]																.33 [8]	1.44 [37]	
	YAV6CLTC516FX90						.89 [23]	.94 [24]																		
	YAV6CLTC38FX	6 AWG CLASS G-M DLO(61/24) 16 mm² CLASS 5	#6 AWG CLASS B,C	30	3/8	1	.50 [13]	-----	1.61 [41]	.41 [10]	.06 [2]	.42 [11]	7 OR 374	BLUE	W5CRT X5CRT W5CVT (1)	X5CRT W5CVT (1)	(1 CRIMP)	W5CRT X5CRT W5CVT (1)	U5CRT (1)	U5CRT (1)	U5CRT (1)		1/2"			
	YAV6CLTC38FX45						.58 [15]	.77 [20]																.40 [10]	1.54 [39]	
	YAV6CLTC38FX90						.87 [22]	1.06 [27]																		
	YAV6CLTC12FX	6 AWG CLASS G-M DLO(61/24) 16 mm² CLASS 5	#6 AWG CLASS B,C	30	1/2	1	.50 [13]	-----	1.86 [47]	.53 [13]	.12 [3]	.55 [14]	7 OR 374	BLUE	W5CRT X5CRT W5CVT (1)	X5CRT W5CVT (1)	(1 CRIMP)	W5CRT X5CRT W5CVT (1)	U5CRT (1)	U5CRT (1)	U5CRT (1)		1/2"			
	YAV6CLTC12FX45						.75 [19]	.80 [20]																.53 [13]	1.92 [49]	
	YAV6CLTC12FX90						.98 [25]	1.34 [34]																		
	YAV6CLTC34FX	6 AWG CLASS G-M DLO(61/24) 16 mm² CLASS 5	#6 AWG CLASS B,C	30	3/4	1	.50 [13]	-----	2.66 [68]	.75 [19]	.09 [2]	.97 [25]	7 OR 374	BLUE	W5CRT X5CRT W5CVT (1)	X5CRT W5CVT (1)	(1 CRIMP)	W5CRT X5CRT W5CVT (1)	U5CRT (1)	U5CRT (1)	U5CRT (1)		1/2"			
	YAV6CLTC34FX45						1.04 [26]	.83 [21]																.81 [21]	2.46 [62]	
	YAV6CLTC34FX90						1.01 [26]	1.86 [47]																		
	YAV6CLTC14FX135	16 mm² CLASS 5	#6 AWG CLASS B,C	30	1/4	4	.50 [13]	.48 [12]	.61 [15]	.27 [7]	1.55 [39]	.31 [8]	.08 [2]	.33 [8]	7 OR 374	BLUE	W5CRT X5CRT W5CVT (1)	X5CRT W5CVT (1)	(1 CRIMP)	W5CRT X5CRT W5CVT (1)	U5CRT (1)	U5CRT (1)	U5CRT (1)		1/2"	

MECHANICAL:
MY29-11 (1)

HYDRAULIC:
Y644M (1)
PAT644 (1)
Y81KFT (1)
PAT81KFT (1)
Y4PC834 (1)
PAT4PC834 (1)

REV: PEO200

SEE SHEET 1 OF 18 FOR NOTES

TO ORDER BURNDY® PRODUCTS CALL		HYLUG™	
UNITED STATES 1-800-346-4175 (LONDONDERRY, NH)		ITEM NO: N/A	
CANADA: 1-800-361-6975 (QUEBEC) 1-800-387-6487 (ALL OTHER PROVINCES)		CAT. NO: YAV6CL-TCLFX- (TABLE)	
FOR PRODUCT INFO: http://www.burndy.com		DRAWN BY: D FILLION 11/30/92	
		CHECKER: K HENRY 12/02/92	
		DSN APPVL: C PALAGI 12/04/92	
		MFG APPVL: --	
		QA APPVL: A LLOYD 12/07/92	
		MKT APPVL: --	
		PROD FAM: CM&R Compression	
		DRAWING NO: SE208001	
		PROJECT #: --	
		DOCUMENT TYPE: Sales	
		REL LEVEL: Released	
		SCALE: 1:1	
		SHEET 2 OF 18	



REV	DATE	DESCRIPTION	ECO	BY	CHK.
M	05/05/2017 16:12:00 PM	YA32LN516FX135 ADDED AS PER MU	46658	SM	MB

CATALOG NO.	FIG. NO.	CONDUCTOR			BOLT SIZE	DIMENSIONS								BURNDY® INSTALLATION TOOLING (# CRIMPS)																																																																	
		FLEX	CODE (AWG)	5 NAVY		B	C	H	K	L	N	O.D.	T REF.	Z MIN.	DIE INDEX	COLOR CODE	MECHANICAL			HYDRAULIC				DIELESS (# CRIMPS)	WIRE STRIP LENGTH																																																						
																	MD7-34R MD6	OUR840	YIMRTC Y122CMR	PATMD6, PAT600, YCT500	Y750, Y35 PAT750	Y46 PAT46	4			Y45	3																																																				
YAV4CLTC10FX	1	#4 AWG CLASS G-M DLO (91/24) (105/24)	#4 AWG	40 & 50	#10	.50 [13]	-----	-----	1.32 [34]	.25 [6]	.38 [10]	.09 [2]	.27 [7]	8 OR 346	GRAY	W4CRT X4CRT W4CVT (1)	X4CRT W4CVT (1)	(2 CRIMP)	W4CRT (1) W4CVT (1)	U4CRT (1)	U4CRT (1)	U4CRT (1)	MECHANICAL: MY29-11 (1) HYDRAULIC: Y644M (1) PAT644 (1) Y81KFT (1) PAT81KFT (1) Y4PC834 (1) PAT4PC834 (1)	1/2"																																																							
YAV4CLTC10FX45	2					.55 [14]	.84 [21]	.21 [5]	1.30 [33]							.25 [6]	.09 [2]	.27 [7]	8 OR 346	GRAY	W4CRT X4CRT W4CVT (1)	X4CRT W4CVT (1)			(2 CRIMP)	W4CRT (1) W4CVT (1)	U4CRT (1)	U4CRT (1)	U4CRT (1)																																																		
YAV4CLTC10FX90	3					13	.94 [24]	.79 [20]	1.44 [37]							.31 [8]	.09 [2]	.33 [8]	8 OR 346	GRAY	W4CRT X4CRT W4CVT (1)	X4CRT W4CVT (1)			(2 CRIMP)	W4CRT (1) W4CVT (1)	U4CRT (1)	U4CRT (1)	U4CRT (1)																																																		
YAV4CLTC14FX	1					#4 AWG CLASS G-M DLO (91/24) (105/24)	#4 AWG	40 & 50	1/4							.55 [14]	.84 [21]	.27 [7]	1.43 [36]	.34 [9]	.38 [10]	.09 [2]			.36 [9]	8 OR 346	GRAY	W4CRT X4CRT W4CVT (1)	X4CRT W4CVT (1)	(2 CRIMP)	W4CRT (1) W4CVT (1)	U4CRT (1)	U4CRT (1)	U4CRT (1)																																													
YAV4CLTC14FX45	2															.55 [14]	.84 [21]	.27 [7]	1.43 [36]									.31 [8]	.09 [2]	.33 [8]	8 OR 346	GRAY	W4CRT X4CRT W4CVT (1)	X4CRT W4CVT (1)	(2 CRIMP)	W4CRT (1) W4CVT (1)	U4CRT (1)	U4CRT (1)	U4CRT (1)																																								
YAV4CLTC14FX90	3															13	.94 [24]	.92 [23]	1.51 [38]									.34 [9]	.09 [2]	.36 [9]	8 OR 346	GRAY	W4CRT X4CRT W4CVT (1)	X4CRT W4CVT (1)	(2 CRIMP)	W4CRT (1) W4CVT (1)	U4CRT (1)	U4CRT (1)	U4CRT (1)																																								
YAV4CLTC516FX	1															#4 AWG CLASS G-M DLO (91/24) (105/24)	#4 AWG	40 & 50	5/16									.55 [14]	.84 [21]	.33 [8]	1.49 [38]	.41 [10]	.38 [10]	.09 [2]	.36 [9]	8 OR 346	GRAY	W4CRT X4CRT W4CVT (1)	X4CRT W4CVT (1)	(2 CRIMP)	W4CRT (1) W4CVT (1)	U4CRT (1)	U4CRT (1)	U4CRT (1)																																			
YAV4CLTC516FX45	2																											.55 [14]	.84 [21]	.33 [8]	1.49 [38]							.34 [9]	.09 [2]	.36 [9]	8 OR 346	GRAY	W4CRT X4CRT W4CVT (1)	X4CRT W4CVT (1)	(2 CRIMP)	W4CRT (1) W4CVT (1)	U4CRT (1)	U4CRT (1)	U4CRT (1)																														
YAV4CLTC516FX90	3																											13	.94 [24]	.98 [25]	1.67 [42]							.41 [10]	.08 [2]	.42 [11]	8 OR 346	GRAY	W4CRT X4CRT W4CVT (1)	X4CRT W4CVT (1)	(2 CRIMP)	W4CRT (1) W4CVT (1)	U4CRT (1)	U4CRT (1)	U4CRT (1)																														
YAV4CLTC38FX	1																											#4 AWG CLASS G-M DLO (91/24) (105/24)	#4 AWG	40 & 50	3/8							.58 [15]	.87 [22]	.40 [10]	1.63 [41]	.53 [13]	.38 [10]	.08 [2]	.42 [11]	8 OR 346	GRAY	W4CRT X4CRT W4CVT (1)	X4CRT W4CVT (1)	(2 CRIMP)	W4CRT (1) W4CVT (1)	U4CRT (1)	U4CRT (1)	U4CRT (1)																									
YAV4CLTC38FX45	2																																					.58 [15]	.87 [22]	.40 [10]	1.63 [41]							.41 [10]	.08 [2]	.42 [11]	8 OR 346	GRAY	W4CRT X4CRT W4CVT (1)	X4CRT W4CVT (1)	(2 CRIMP)	W4CRT (1) W4CVT (1)	U4CRT (1)	U4CRT (1)	U4CRT (1)																				
YAV4CLTC38FX90	3																																					13	.97 [25]	1.10 [28]	1.92 [49]							.53 [13]	.07 [2]	.55 [14]	8 OR 346	GRAY	W4CRT X4CRT W4CVT (1)	X4CRT W4CVT (1)	(2 CRIMP)	W4CRT (1) W4CVT (1)	U4CRT (1)	U4CRT (1)	U4CRT (1)																				
YAV4CLTC12FX	1																																					#4 AWG CLASS G-M DLO (91/24) (105/24)	#4 AWG	40 & 50	1/2							.71 [18]	.86 [22]	.53 [13]	1.84 [47]	.25 [6]	.38 [10]	.09 [2]	.27 [7]	8 OR 346	GRAY	W4CRT X4CRT W4CVT (1)	X4CRT W4CVT (1)	(2 CRIMP)	W4CRT (1) W4CVT (1)	U4CRT (1)	U4CRT (1)	U4CRT (1)															
YAV4CLTC12FX45	2																																															.71 [18]	.86 [22]	.53 [13]	1.84 [47]							.25 [6]	.09 [2]	.27 [7]	8 OR 346	GRAY	W4CRT X4CRT W4CVT (1)	X4CRT W4CVT (1)	(2 CRIMP)	W4CRT (1) W4CVT (1)	U4CRT (1)	U4CRT (1)	U4CRT (1)										
YAV4CLTC12FX90	3																																															13	.94 [24]	1.34 [34]	1.32 [34]							.25 [6]	.09 [2]	.27 [7]	8 OR 346	GRAY	W4CRT X4CRT W4CVT (1)	X4CRT W4CVT (1)	(2 CRIMP)	W4CRT (1) W4CVT (1)	U4CRT (1)	U4CRT (1)	U4CRT (1)										
YAV4CLNT10FX	1																																															#4 AWG CLASS G-M DLO (91/24) (105/24)	#4 AWG	40 & 50	#10							.41 [10]	.84 [21]	.21 [5]	1.30 [33]	.31 [8]	.38 [10]	.09 [2]	.33 [8]	8 OR 346	GRAY	W4CRT X4CRT W4CVT (1)	X4CRT W4CVT (1)	(2 CRIMP)	W4CRT (1) W4CVT (1)	U4CRT (1)	U4CRT (1)	U4CRT (1)					
YAV4CLNT10FX45	2																																																									.41 [10]	.84 [21]	.21 [5]	1.30 [33]							.25 [6]	.09 [2]	.27 [7]	8 OR 346	GRAY	W4CRT X4CRT W4CVT (1)	X4CRT W4CVT (1)	(2 CRIMP)	W4CRT (1) W4CVT (1)	U4CRT (1)	U4CRT (1)	U4CRT (1)
YAV4CLNT10FX90	3																																																									13	.94 [24]	.79 [20]	1.32 [34]							.25 [6]	.09 [2]	.27 [7]	8 OR 346	GRAY	W4CRT X4CRT W4CVT (1)	X4CRT W4CVT (1)	(2 CRIMP)	W4CRT (1) W4CVT (1)	U4CRT (1)	U4CRT (1)	U4CRT (1)
YAV4CLTC14FX135	4	.50 [13]	.55 [14]	.64 [16]	.27 [7]					1.63 [41]	.31 [8]	.09 [2]	.33 [8]	8 OR 346	GRAY								W4CRT X4CRT W4CVT (1)	X4CRT W4CVT (1)																																		(2 CRIMP)	W4CRT (1) W4CVT (1)	U4CRT (1)	U4CRT (1)							U4CRT (1)											

SEE SHEET 1 OF 18 FOR NOTES

TO ORDER BURNDY® PRODUCTS CALL		HYLUG™	
UNITED STATES 1-800-346-4175 (LONDONDERRY, NH)		ITEM NO: N/A	
CANADA: 1-800-361-6975 (QUEBEC) 1-800-387-6487 (ALL OTHER PROVINCES)		CAT. NO: YAV4CL-TC-FX-, YAV4CL-NT-FX-	
FOR PRODUCT INFO: http://www.burndy.com		DRAWN BY: D FILLION 11/30/92	
		CHECKER: K HENRY 12/02/92	
		DSN APPVL: C PALAGI 12/04/92	
		MFG APPVL: --	
		QA APPVL: A LLOYD 12/07/92	
		MKT APPVL: --	
		SCALE: 1:1	
		PROD FAM: CM&R Compression	
		DRAWING NO: SE208001	
		PROJECT #: --	
		SIZE: D	
		DOCUMENT TYPE: Sales	
		SHEET 3 OF 18	
		REL LEVEL: Released	

REV: PEO200

REV	DATE	DESCRIPTION	ECO	BY	C.H.K.
M	05/05/2017 16:12:00 PM	YA32LN516FX135 ADDED AS PER MU	46658	SM	MB

®

D	CATALOG NO.	CONDUCTOR			BOLT SIZE	FIG. NO.	DIMENSIONS								BURNDY® INSTALLATION TOOLING (# CRIMPS)								WIRE STRIP LENGTH	D			
		FLEX	CODE (AWG)	5 NAVY			B	C	H	K	L	N	O.D.	T REF.	Z MIN.	DIE INDEX	COLOR CODE	MECHANICAL			HYDRAULIC				DIELESS (# CRIMPS)		
																		MD7-34R MD6	OUR840	YIMRTC Y122CMR	PATMD6, PAT600, YCT500	Y750, Y35 Y39, BAT35 PAT750				Y46 PAT46	Y45
	YAV3CLTC14FX	3 AWG FLEX G-M 25 mm ² CLASS 5	3 AWG CLASS B,C	--	1/4	I	.88 [22]	.60 [15]	-----	.27 [7]	1.84 [47]	.31 [8]	.42 [11]	.11 [3]	.33 [8]	9	WHITE	W3CRT (1)	X3CRT (1)	(1 CRIMP)	W3CRT (1)	U3CRT (1)	U3CRT (1)	U3CRT (1)	MECHANICAL: MY29-11 (1) HYDRAULIC: Y644M (1) PAT644 (1) Y81KFT (1) PAT81KFT (1) Y4PC834 (1) PAT4PC834 (1)	15/16"	

C

C

B

B

A

A

REV: PE0200

SEE SHEET 1 OF 18 FOR NOTES

TO ORDER BURNDY® PRODUCTS CALL		HYLUG™	
UNITED STATES 1-800-346-4175 (LONDONDERRY, NH)		ITEM NO: 518541	
CANADA: 1-800-361-6975 (QUEBEC) 1-800-387-6487 (ALL OTHER PROVINCES)		CAT. NO: YAV3CL-TCLFX- (TABLE)	
FOR PRODUCT INFO: http://www.burndy.com		DRAWN BY: D FILLION 11/25/92	
		CHECKER: K HENRY 10/02/92	
		DSN APPVL: C PALAGI 12/04/92	
		MFG APPVL: -- --	
		QA APPVL: A LLOYD 12/07/92	
		MKT APPVL: T NELSON 12/04/92	
		PROD FAM: CM&R Compression	
		DRAWING NO: SE208001	
		PROJECT #: --	
		DOCUMENT TYPE: Sales	
		REL LEVEL: Released	
		SCALE: 3:1	
		SHEET 4 OF 18	

REV	DATE	DESCRIPTION	ECO	BY	C'H'K.
M	05/05/2017 16:12:00 PM	YA32LN516FX135 ADDED AS PER MU	46658	SM	MB

CATALOG NO.	CONDUCTOR			BOLT SIZE	FIG. NO.	DIMENSIONS							BURNDY® INSTALLATION TOOLING (# CRIMPS)															
	FLEX	CODE (AWG)	5 NAVY			B	C	H	K	L	N	O.D.	T REF.	Z MIN.	DIE INDEX	COLOR CODE	MECHANICAL			HYDRAULIC				DIELESS (# CRIMPS)	WIRE STRIP LENGTH			
																	MD7-34R MD6	OUR840	Y1MRTC Y122CMR 6	PATMD6, PAT600, YCT500	Y750, Y35 Y39, BAT35 PAT750	Y46 PAT46 4	Y45 3					
YAV2CLTC10FX	2 AWG CLASS G-M DLO(125/24) (150/24)	2 AWG CLAS B,C	60	#10 [M5]	.63 [16]	-----	.21 [5]	1.50 [38]	.25 [6]	.46 [12]	.10 [3]	.27 [7]	10	BROWN	W2CRT X2CRT W2CVT (1)	X2CRT W2CVT (1)	(2 CRIMP)	W2CRT X2CRT W2CVT (1)	U2CRT (1)	U2CRT (1)	U2CRT (1)	MECHANICAL: MY29-11 (1) HYDRAULIC: Y644M (1) PAT644 (1) Y81KFT (1) PAT81KFT (1) Y4PC834 (1) PAT4PC834 (1)	11/16"					
YAV2CLTC10FX45								.68 [17]							1.04 [26]	1.46 [37]	.46 [12]	.10 [3]	.27 [7]	W2CRT X2CRT W2CVT (1)	X2CRT W2CVT (1)			(2 CRIMP)	W2CRT X2CRT W2CVT (1)	U2CRT (1)	U2CRT (1)	U2CRT (1)
YAV2CLTC10FX90								35 mm² CLASS 5																				
YAV2CLTC14FX	35 mm² CLASS 5	2 AWG CLAS B,C	60	1/4 [M6]	.63 [16]	-----	.27 [7]	1.62 [41]	.31 [8]	.46 [12]	.10 [3]	.33 [8]	10	BROWN	W2CRT X2CRT W2CVT (1)	X2CRT W2CVT (1)	(2 CRIMP)	W2CRT X2CRT W2CVT (1)	U2CRT (1)	U2CRT (1)	U2CRT (1)	MECHANICAL: MY29-11 (1) HYDRAULIC: Y644M (1) PAT644 (1) Y81KFT (1) PAT81KFT (1) Y4PC834 (1) PAT4PC834 (1)	11/16"					
YAV2CLTC14FX45								.68 [17]							1.04 [26]	1.58 [40]	.46 [12]	.10 [3]	.33 [8]	W2CRT X2CRT W2CVT (1)	X2CRT W2CVT (1)			(2 CRIMP)	W2CRT X2CRT W2CVT (1)	U2CRT (1)	U2CRT (1)	U2CRT (1)
YAV2CLTC14FX90																												
YAV2CLTC516FX	35 mm² CLASS 5	2 AWG CLAS B,C	60	5/16 [M8]	.63 [16]	-----	.33 [8]	1.69 [43]	.34 [9]	.46 [12]	.10 [3]	.36 [9]	10	BROWN	W2CRT X2CRT W2CVT (1)	X2CRT W2CVT (1)	(2 CRIMP)	W2CRT X2CRT W2CVT (1)	U2CRT (1)	U2CRT (1)	U2CRT (1)	MECHANICAL: MY29-11 (1) HYDRAULIC: Y644M (1) PAT644 (1) Y81KFT (1) PAT81KFT (1) Y4PC834 (1) PAT4PC834 (1)	11/16"					
YAV2CLTC516FX45								.68 [17]							1.04 [26]	1.65 [42]	.46 [12]	.10 [3]	.36 [9]	W2CRT X2CRT W2CVT (1)	X2CRT W2CVT (1)			(2 CRIMP)	W2CRT X2CRT W2CVT (1)	U2CRT (1)	U2CRT (1)	U2CRT (1)
YAV2CLTC516FX90																												
YAV2CLTC38FX	35 mm² CLASS 5	2 AWG CLAS B,C	60	3/8 [M10]	.63 [16]	-----	.40 [10]	1.81 [46]	.41 [10]	.46 [12]	.10 [3]	.42 [11]	10	BROWN	W2CRT X2CRT W2CVT (1)	X2CRT W2CVT (1)	(2 CRIMP)	W2CRT X2CRT W2CVT (1)	U2CRT (1)	U2CRT (1)	U2CRT (1)	MECHANICAL: MY29-11 (1) HYDRAULIC: Y644M (1) PAT644 (1) Y81KFT (1) PAT81KFT (1) Y4PC834 (1) PAT4PC834 (1)	11/16"					
YAV2CLTC38FX45								.68 [17]							1.04 [26]	1.77 [45]	.46 [12]	.10 [3]	.42 [11]	W2CRT X2CRT W2CVT (1)	X2CRT W2CVT (1)			(2 CRIMP)	W2CRT X2CRT W2CVT (1)	U2CRT (1)	U2CRT (1)	U2CRT (1)
YAV2CLTC38FX90																												
YAV2CLTC12FX	35 mm² CLASS 5	2 AWG CLAS B,C	60	1/2 [M12]	.63 [16]	-----	.53 [13]	2.12 [54]	.53 [13]	.46 [12]	.09 [2]	.55 [14]	10	BROWN	W2CRT X2CRT W2CVT (1)	X2CRT W2CVT (1)	(2 CRIMP)	W2CRT X2CRT W2CVT (1)	U2CRT (1)	U2CRT (1)	U2CRT (1)	MECHANICAL: MY29-11 (1) HYDRAULIC: Y644M (1) PAT644 (1) Y81KFT (1) PAT81KFT (1) Y4PC834 (1) PAT4PC834 (1)	11/16"					
YAV2CLTC12FX45								.73 [18]							1.07 [27]	2.03 [52]	.46 [12]	.09 [2]	.55 [14]	W2CRT X2CRT W2CVT (1)	X2CRT W2CVT (1)			(2 CRIMP)	W2CRT X2CRT W2CVT (1)	U2CRT (1)	U2CRT (1)	U2CRT (1)
YAV2CLTC12FX90																												
YAV2CLTC14FX135	2 AWG CLASS G-M DLO(125/24) (150/24)	2 AWG CLAS B,C	60	1/4 [M6]	.63 [16]	-----	.27 [7]	1.84 [47]	.31 [8]	.46 [12]	.10 [3]	.33 [8]	10	BROWN	W2CRT X2CRT W2CVT (1)	X2CRT W2CVT (1)	(2 CRIMP)	W2CRT X2CRT W2CVT (1)	U2CRT (1)	U2CRT (1)	U2CRT (1)	MECHANICAL: MY29-11 (1) HYDRAULIC: Y644M (1) PAT644 (1) Y81KFT (1) PAT81KFT (1) Y4PC834 (1) PAT4PC834 (1)	11/16"					
YAV2CLTC58FX	35 mm² CLASS 5	2 AWG CLAS B,C	60	5/8 [M16]	.63 [16]	-----	.69 [18]	2.37 [60]	.66 [17]	.46 [12]	.14 [4]	.67 [17]	10	BROWN	W2CRT X2CRT W2CVT (1)	X2CRT W2CVT (1)	(2 CRIMP)	W2CRT X2CRT W2CVT (1)	U2CRT (1)	U2CRT (1)	U2CRT (1)	MECHANICAL: MY29-11 (1) HYDRAULIC: Y644M (1) PAT644 (1) Y81KFT (1) PAT81KFT (1) Y4PC834 (1) PAT4PC834 (1)	11/16"					
YAV2CLNT14FX	35 mm² CLASS 5	2 AWG CLAS B,C	60	1/4 [M6]	.63 [16]	-----	.27 [7]	1.71 [43]	.31 [8]	.46 [12]	.10 [3]	.33 [8]	10	BROWN	W2CRT X2CRT W2CVT (1)	X2CRT W2CVT (1)	(2 CRIMP)	W2CRT X2CRT W2CVT (1)	U2CRT (1)	U2CRT (1)	U2CRT (1)	MECHANICAL: MY29-11 (1) HYDRAULIC: Y644M (1) PAT644 (1) Y81KFT (1) PAT81KFT (1) Y4PC834 (1) PAT4PC834 (1)	11/16"					

REV: PEO200

SEE SHEET 1 OF 18 FOR NOTES

TO ORDER BURNDY® PRODUCTS CALL		HYLUG™	
UNITED STATES 1-800-346-4175 (LONDONDERRY, NH)		ITEM NO: N/A	
CANADA: 1-800-361-6975 (QUEBEC) 1-800-387-6487 (ALL OTHER PROVINCES)		CAT. NO: YAV2CL-TC-FX- (TABLE)	
FOR PRODUCT INFO: http://www.burndy.com		DRAWN BY: D FILLION 11/30/92	
		CHECKER: K HENRY 12/02/92	
		DSN APPVL: C PALAGI 12/04/92	
		MFG APPVL: --	
		QA APPVL: A LLOYD 12/07/92	
		MKT APPVL: T NELSON 12/04/92	
		PROD FAM: CM&R Compression	
		DRAWING NO: SE208001	
		SCALE: 1:1	
		PROJECT #: --	
		DOCUMENT TYPE: Sales	
		REL LEVEL: Released	
		SHEET 5 OF 18	



REV	DATE	DESCRIPTION	ECO	BY	C.H.K.
M	05/05/2017 16:12:00 PM	YA32LN516FX135 ADDED AS PER MU	46658	SM	MB

D

D

C

C

B

B

A

A

CATALOG NO.	CONDUCTOR			BOLT SIZE	FIG. NO.	DIMENSIONS							BURNDY® INSTALLATION TOOLING (# CRIMPS)										
	FLEX	CODE (AWG)	5 NAVY			B	C	H	K	L	N	O.D.	T REF.	Z MIN.	DIE INDEX	COLOR CODE	MECHANICAL		HYDRAULIC			DIELESS (# CRIMPS)	WIRE STRIP LENGTH
																	MD7-34R MD6	OUR840	PATMD6, PAT600, YCT500	Y750, Y35 Y39, BAT35 PAT750	Y46 PAT46		
YAVICLTC10FX	1 AWG CLASS G-M DLO (175/24) (225/24)	1 AWG CLASS B,C	75	#10 [M5]	1	.62 [16]	.75 [19]	-----	1.52 [39]	.25 [6]	.51 [13]	.12 [3]	.27 [7]	11 OR 375	GREEN	WICRT	XICRT	WICRT	UICRT (1)	UICRT (1)	UICRT (1)	MECHANICAL: MY29-11 (1) HYDRAULIC: Y644M (1) PAT644 (1) Y81KFT (1) PAT81KFT (1) Y4PC834 (1) PAT4PC834 (1)	11/16"
2					1.10 [28]	.21 [5]	1.52 [39]	WICRT	XICRT							WICRT	UICRT (1)	UICRT (1)	UICRT (1)				
3					1.20 [30]		.88 [22]	WICRT	XICRT							WICRT	UICRT (1)	UICRT (1)	UICRT (1)				
YAVICLTC14FX				1/4 [M6]	1			1.65 [42]	.31 [8]							WICRT	XICRT	WICRT	UICRT (1)	UICRT (1)	UICRT (1)		
2					1.10 [28]	.27 [7]	1.64 [42]	WICRT								XICRT	WICRT	UICRT (1)	UICRT (1)	UICRT (1)			
3					1.20 [30]		1.00 [25]	WICRT								XICRT	WICRT	UICRT (1)	UICRT (1)	UICRT (1)			
YAVICLTC516FX				5/16 [M8]	1			1.71 [43]	.34 [9]							WICRT	XICRT	WICRT	UICRT (1)	UICRT (1)	UICRT (1)		
2					1.10 [28]	.33 [8]	1.70 [43]	WICRT								XICRT	WICRT	UICRT (1)	UICRT (1)	UICRT (1)			
3					1.20 [30]		1.07 [27]	WICRT								XICRT	WICRT	UICRT (1)	UICRT (1)	UICRT (1)			
YAVICLTC38FX				3/8 [M10]	1			1.84 [47]	.41 [10]							WICRT	XICRT	WICRT	UICRT (1)	UICRT (1)	UICRT (1)		
2					1.10 [28]	.41 [10]	1.83 [46]	WICRT								XICRT	WICRT	UICRT (1)	UICRT (1)	UICRT (1)			
3					1.20 [30]		1.19 [30]	WICRT								XICRT	WICRT	UICRT (1)	UICRT (1)	UICRT (1)			
YAVICLTC12FX				1/2 [M12]	1			2.09 [53]	.53 [13]							WICRT	XICRT	WICRT	UICRT (1)	UICRT (1)	UICRT (1)		
2					1.10 [28]	.53 [13]	2.08 [53]	WICRT								XICRT	WICRT	UICRT (1)	UICRT (1)	UICRT (1)			
3					.62 [16]	.75 [19]	1.20 [30]	1.44 [37]								.51 [13]	.12 [3]	.55 [14]	11 OR 375	GREEN	WICRT		

SEE SHEET 1 OF 18 FOR NOTES

TO ORDER BURNDY® PRODUCTS CALL		HYLUG™	
UNITED STATES 1-800-346-4175 (LONDONDERRY, NH)		ITEM NO: N/A	CAT. NO: YAVICL-TC-FX-
CANADA: 1-800-361-6975 (QUEBEC) 1-800-387-6487 (ALL OTHER PROVINCES)		DRAWN BY: R NARESH 04/06/05	CHECKER: K BABU 04/06/05
FOR PRODUCT INFO: http://www.burndy.com		DSN APPVL: --	MFG APPVL: --
		QA APPVL: --	MKT APPVL: --
		PROD FAM: CM&R Compression	DRAWING NO: SE208001
		PROJECT #: --	SCALE: 1:1
		DOCUMENT TYPE: Sales	SHEET 6 OF 18
		REL LEVEL: Released	M

REV: PEO200

REV	DATE	DESCRIPTION	ECO	BY	C'H'K.
M	05/05/2017 16:12:00 PM	YA32LN516FX135 ADDED AS PER MU	46658	SM	MB

D

D

C

C

B

B

A

A

CATALOG NO.	CONDUCTOR			BOLT SIZE	FIG. NO.	DIMENSIONS								BURNDY® INSTALLATION TOOLING (#CRIMPS)									
	FLEX	CODE (AWG)	5 NAVY			B	C	H	K	L	N	O.D.	T REF.	Z MIN.	DIE INDEX	COLOR CODE	MECHANICAL RATCHET		HYDRAULIC			DIELESS (# CRIMPS)	WIRE STRIP LENGTH
																	MD7-34R MD6	OUR840	BCT500 Y500CT PAT600	Y750 Y35, Y39 PAT750	Y46 PAT46 4		
YAV25LTC10FX	1/0 AWG CLASS G-M DLO (275/24) 50 mm² CLASS 5	1/0 AWG CLASS B,C	100	10	.69 [18]	.83 [21]	-----	.21 [5]	1.63 [41]	.25 [6]	.56 [14]	.12 [3]	.27 [7]	12 OR 348	PINK	W25RT	X25RT	W25RT	U25RT	U25RT	U25RT	MECHANICAL: MY29-11 (1) HYDRAULIC: Y644M (1) PAT644 (1) Y81KFT (1) PAT81KFT (1) Y4PC834 (1) PAT4PC834 (1)	11/16"
YAV25LTC14FX				1/4	1	-----	1.75 [44]	.31 [8]	.33 [8]	W25RT X25RT W25VT (2)						X25RT W25VT (2)	W25RT X25RT W25VT (2)	U25RT UR4204WE (1)	U25RT UR4204WE (1)	U25RT UR4204WE (1)			
YAV25LTC14FX45					2	1.20 [30]	.27 [7]														1.71 [43]		
YAV25LTC14FX90					3	1.31 [33]	1.03 [26]																
YAV25LTC516FX				5/16	1	-----	1.81 [46]	.34 [9]	.36 [9]	W25RT X25RT W25VT (2)						X25RT W25VT (2)	W25RT X25RT W25VT (2)	U25RT UR4204WE (1)	U25RT UR4204WE (1)	U25RT UR4204WE (1)			
YAV25LTC516FX45					2	1.20 [30]	.33 [8]														1.77 [45]		
YAV25LTC516FX90					3	1.31 [33]	1.09 [28]																
YAV25LTC38FX				3/8	1	-----	1.94 [49]	.41 [10]	.42 [11]	W25RT X25RT W25VT (2)						X25RT W25VT (2)	W25RT X25RT W25VT (2)	U25RT UR4204WE (1)	U25RT UR4204WE (1)	U25RT UR4204WE (1)			
YAV25LTC38FX45					2	1.20 [30]	.40 [10]														1.90 [48]		
YAV25LTC38FX90					3	1.31 [33]	1.22 [31]																
YAV25LTC12FX	1/0 AWG CLASS G-M DLO (275/24) 50 mm² CLASS 5	1/0 AWG CLASS B,C	100	1/2	1	-----	2.19 [56]	.53 [13]	.53 [13]	.55 [14]	12 OR 348	PINK	W25RT X25RT W25VT (2)	X25RT W25VT (2)	W25RT X25RT W25VT (2)	U25RT UR4204WE (1)	U25RT UR4204WE (1)	U25RT UR4204WE (1)	11/16"				
YAV25LTC12FX45					2	1.20 [30]	.53 [13]													2.15 [55]			
YAV25LTC12FX90					3	1.31 [33]	1.47 [37]																

SEE SHEET 1 OF 18 FOR NOTES

TO ORDER BURNDY® PRODUCTS CALL		HYLUG™	
UNITED STATES 1-800-346-4175 (LONDONDERRY, NH)		ITEM NO: N/A	CAT. NO: YAV25L-TC-FX-
CANADA: 1-800-361-6975 (QUEBEC) 1-800-387-6487 (ALL OTHER PROVINCES)		DRAWN BY: D FILLION 11/30/92	CHECKER: K HENRY 12/02/92
FOR PRODUCT INFO: http://www.burndy.com		DSN APPVL: C PALAGI 12/04/92	MFG APPVL: --
		QA APPVL: A LLOYD 12/07/92	MKT APPVL: T NELSON 12/04/92
		PROD FAM: CM&R Compression	DRAWING NO: SE208001
		PROJECT #: --	SCALE: 1:1
		DOCUMENT TYPE: Sales	SHEET 7 OF 18
		REL LEVEL: Released	M

REV: PEO200


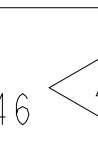
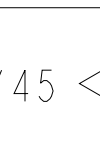
REV	DATE	DESCRIPTION	ECO	BY	C.H.K.
M	05/05/2017 16:12:00 PM	YA32LN516FX135 ADDED AS PER MU	46658	SM	MB

D	CONDUCTOR			BOLT SIZE	CATALOG NO.	FIG. NO.	DIMENSIONS							BURNDY® INSTALLATION TOOLING (# CRIMPS)							DIELESS (# CRIMPS)	WIRE STRIP LENGTH	D					
	FLEX	CODE (AWG)	NAVY 5				B	C	H	K	L	N	O.D.	T REF.	Z MIN.	DIE INDEX	COLOR CODE	MECHANICAL RATCHET		HYDRAULIC				C				
																		MD7-34R MD6	OUR840	BCT500 Y500CT PAT600					Y750, Y35 Y39 PAT750	Y46 PAT46	Y45	B
C	2/0 AWG CLASS G-M DLO (325/24) 70 mm² CLASS 5	2/0 AWG CLASS B,C	125	#10 [M5]	YAV26LTC10FX	1	.81 [21]	.93 [24]	-----	1.80 [46]		.63 [16]	.13 [3]		13	BLACK	W26RT X26RT W26VT (2)	X26RT W26VT (2)	W26RT X26RT W26VT (2)	U26RT UR5184WE (1)	U26RT UR5184WE (1)	U26RT UR5184WE (1)	MECHANICAL: MY29-11 (1) HYDRAULIC: Y644M (1) PAT644 (1) Y81KFT (1) PAT81KFT (1) Y4PC834 (1) PAT4PC834 (1)	13/16"	C			
					YAV26LTC10FX45	2	1.38 [35]	.21 [5]	1.73 [44]	.25 [6]																		
					YAV26LTC10FX90	3	1.49 [38]		.94 [24]																			
					YAV26LTC14FX	1	-----	1.92 [49]																				
					YAV26LTC14FX45	2	1.38 [35]	.27 [7]	1.85 [47]	.31 [8]																		
					YAV26LTC14FX90	3	1.49 [38]		1.07 [27]																			
	B	2/0 AWG CLASS G-M DLO (325/24) 70 mm² CLASS 5	2/0 AWG CLASS B,C	125	1/4 [M6]	YAV26LTC516FX	1	-----	1.98 [50]																			
						YAV26LTC516FX45	2	1.38 [35]	.33 [8]	1.92 [49]	.34 [9]																	
						YAV26LTC516FX90	3	1.49 [38]		1.13 [29]																		
						YAV26LTC38FX	1	-----	2.11 [54]																			
						YAV26LTC38FX45	2	1.38 [35]	.40 [10]	2.04 [52]	.41 [10]																	
						YAV26LTC38FX90	3	1.49 [38]		1.26 [32]																		
A	2/0 AWG CLASS G-M DLO (325/24) 70 mm² CLASS 5	2/0 AWG CLASS B,C	125	3/8 [M10]	YAV26LTC12FX	1	-----	2.36 [60]																				
					YAV26LTC12FX45	2	1.38 [35]	.53 [13]	2.29 [58]	.53 [13]																		
					YAV26LTC12FX90	3	1.49 [38]		1.51 [38]																			
					YAV26LTC58FX	1	-----	2.61 [66]																				
					YAV26LTC58FX45	2	1.38 [35]	.69 [17]	2.54 [65]	.66 [17]																		
					YAV26LTC58FX90	3	1.49 [38]		1.76 [45]																			
A	2/0 AWG CLASS G-M DLO (325/24) 70 mm² CLASS 5	2/0 AWG CLASS B,C	125	3/4 [M20]	YAV26LTC34FX	1	-----	2.89 [73]																				
					YAV26LTC34FX45	2	1.10 [28]	1.44 [37]	.81 [21]	2.75 [70]	.75 [19]																	
					YAV26LTC34FX90	3	.81 [21]	1.55 [39]		1.93 [49]																		

A	SEE SHEET 1 OF 18 FOR NOTES	8	7	6	5	4	3	2	1	A	TO ORDER BURNDY® PRODUCTS CALL UNITED STATES 1-800-346-4175 (LONDONDERRY, NH) CANADA: 1-800-361-6975 (QUEBEC) 1-800-387-6487 (ALL OTHER PROVINCES) FOR PRODUCT INFO: http://www.burndy.com		HYLUG™ ITEM NO: N/A CAT. NO: YAV26L-TC-FX- DRAWN BY: D FILLION 11/30/92 CHECKER: K HENRY 12/02/92 DSN APPVL: C PALAGI 12/04/92 MFG APPVL: -- QA APPVL: A LLOYD 12/07/92 MKT APPVL: T NELSON 12/04/92 PROD FAM: CM&R Compression PROJECT #: -- DOCUMENT TYPE: Sales REL LEVEL: Released		SCALE: 1:1 DRAWING NO: SE208001 SHEET 8 OF 18		
											BURNDY®						
											PROJECT #: -- REL LEVEL: Released						
											SIZE: D						
											REV: M						

REV: PE0200

REV	DATE	DESCRIPTION	ECO	BY	C'H'K.
M	05/05/2017 16:12:00 PM	YA32LN516FX135 ADDED AS PER MU	46658	SM	MB

CONDUCTOR			BOLT SIZE	CATALOG NO.	FIG. NO.	DIMENSIONS							BURNDY® INSTALLATION TOOLING (# CRIMPS)																
FLEX	CODE (AWG)	NAVY 				B	C	H	K	L	N	O.D.	T REF.	Z MIN.	DIE INDEX	COLOR CODE	MECHANICAL RATCHET		HYDRAULIC			DIELESS (# CRIMPS)	WIRE STRIP LENGTH						
																	MD7-34R MD6	OUR840	BCT500 Y500CT PAT600	Y750, Y35 Y39, PAT750	Y46 PAT46 			Y45 					
3/0 AWG CLASS G-M DLO (450/24) 95 mm² CLASS 5	3/0 AWG CLASS B,C	150	#10	YAV27LTC10FX	1	1.00 [25]	1.03 [26]	-----		2.03 [51]			.70 [18]	.14 [4]			14	ORANGE	W27RT (2) X27RT (3) W27VT (2)	X27RT (3) W27VT (2)	W27RT (2) X27RT (3) W27VT (2)	U27RT (1)	U27RT (1)	U27RT (1)	MECHANICAL: MY29-11 (1) HYDRAULIC: Y644M (1) PAT644 (1) Y81KFT (2) PAT81KFT (2) Y4PC834 (2) PAT4PC834 (2)	1"			
				YAV27LTC10FX45	2	1.59 [40]	.21 [5]	1.91 [49]	.25 [6]					.27 [7]															
				YAV27LTC10FX90	3	1.74 [44]		.98 [25]																					
				YAV27LTC14FX	1	-----		2.15 [55]																					
				YAV27LTC14FX45	2	1.59 [40]	.27 [7]	2.04 [52]	.31 [8]						.33 [8]														
				YAV27LTC14FX90	3	1.74 [44]		1.10 [28]																					
				YAV27LTC516FX	1	-----		2.21 [56]																					
				YAV27LTC516FX45	2	1.59 [40]	.33 [8]	2.10 [53]	.34 [9]						.36 [9]														
				YAV27LTC516FX90	3	1.74 [44]		1.17 [30]																					
				YAV27LTC38FX	1	-----		2.34 [59]																					
				YAV27LTC38FX45	2	1.59 [40]	.40 [10]	2.22 [56]	.41 [10]						.42 [11]														
				YAV27LTC38FX90	3	1.74 [44]		1.29 [33]																					
YAV27LTC12FX	1	-----		2.59 [66]																									
YAV27LTC12FX45	2	1.59 [40]	.53 [13]	2.47 [63]	.53 [13]						.55 [14]																		
YAV27LTC12FX90	3	1.74 [44]		1.54 [39]																									
3/0 AWG CLASS G-M DLO (450/24) 95 mm² CLASS 5	3/0 AWG CLASS B,C	150				1.00 [25]	1.03 [26]	1.74 [44]		2.59 [66]			.70 [18]	.14 [4]			14	ORANGE	W27RT (2) X27RT (3) W27VT (2)	X27RT (3) W27VT (2)	W27RT (2) X27RT (3) W27VT (2)	U27RT (1)	U27RT (1)	U27RT (1)		1"			


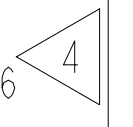
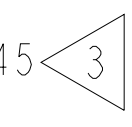
REV: PEO200

SEE SHEET 1 OF 18 FOR NOTES

TO ORDER BURNDY® PRODUCTS CALL		HYLUG™	
UNITED STATES 1-800-346-4175 (LONDONDERRY, NH)		ITEM NO: N/A	
CANADA: 1-800-361-6975 (QUEBEC) 1-800-387-6487 (ALL OTHER PROVINCES)		CAT. NO: YAV27L-TC-FX-	
FOR PRODUCT INFO: http://www.burndy.com		DRAWN BY: D FILLION 11/30/92	
		CHECKER: K HENRY 12/02/92	
		DSN APPVL: C PALAGI 12/04/92	
		MFG APPVL: --	
		QA APPVL: A LLOYD 12/07/92	
		MKT APPVL: T NELSON 12/04/92	
		PROD FAM: CM&R Compression	
		DRAWING NO: SE208001	
		PROJECT #: --	
		DOCUMENT TYPE: Sales	
		REL LEVEL: Released	
		SCALE: 1:1	
		SHEET 9 OF 18	



REV	DATE	DESCRIPTION	ECO	BY	CHK.
M	05/05/2017 16:12:00 PM	YA32LN516FX135 ADDED AS PER MU	46658	SM	MB

D	CATALOG NO.	CONDUCTOR			BOLT SIZE	FIG. NO.	DIMENSIONS							BURNDY® INSTALLATION TOOLING (# CRIMPS)											
		FLEX	CODE (AWG)	NAVY 			B	C	H	K	L	N	O.D.	T REF.	Z MIN.	DIE INDEX	COLOR CODE	MECHANICAL RATCHET		HYDRAULIC				DIELESS (# CRIMPS)	WIRE STRIP LENGTH
																		MD7-34R MD6	OUR840	BCT500 Y500CT PAT600	Y750, Y35 Y39, PAT750	Y46 PAT46 	Y45 		
	YAV28LTC14FX	4/0 AWG CLASS G-M DLO (550/24) 120 mm² CLASS 2,5	4/0 AWG CLASS B,C	200	1/4	1	1.03 [26]	-----	-----	2.23 [57]	.31 [8]	.77 [20]	.15 [4]	.33 [8]	15	PURPLE	W28RT (2)	X28RT (3)	W28RT (2)	U28RT UR4205WE (1)	U28RT UR4205WE (1)	U28RT UR4205WE (1)	MECHANICAL: MY29-11 (1) HYDRAULIC: Y644M (1) PAT644 (1) Y81KFT (2) PAT81KFT (2) Y4PC834 (2) PAT4PC834 (2)	1-1/16"	
	YAV28LTC14FX45						1.14 [29]	1.70 [43]	.27 [7]	2.11 [53]							X28RT (3)	W28VT (2)	X28RT (3)	U28RT UR4205WE (1)	U28RT UR4205WE (1)	U28RT UR4205WE (1)			
	YAV28LTC14FX90						1.83 [47]	1.14 [29]	1.83 [47]	2.29 [58]							W28VT (2)	W28VT (2)	W28VT (2)	U28RT UR4205WE (1)	U28RT UR4205WE (1)	U28RT UR4205WE (1)			
	YAV28LNT516FX	4/0 AWG CLASS G-M DLO (550/24) 120 mm² CLASS 2,5	4/0 AWG CLASS B,C	200	5/16	1	1.03 [26]	-----	-----	2.29 [58]	.34 [9]	.77 [20]	.15 [4]	.36 [9]	15	PURPLE	W28RT (2)	X28RT (3)	W28RT (2)	U28RT UR4205WE (1)	U28RT UR4205WE (1)	U28RT UR4205WE (1)	MECHANICAL: MY29-11 (1) HYDRAULIC: Y644M (1) PAT644 (1) Y81KFT (2) PAT81KFT (2) Y4PC834 (2) PAT4PC834 (2)	1-1/16"	
	YAV28LNT516FX45							.94 [24]	1.70 [43]	.33 [8]							2.17 [55]	X28RT (3)	W28VT (2)	X28RT (3)	U28RT UR4205WE (1)	U28RT UR4205WE (1)			U28RT UR4205WE (1)
	YAV28LNT516FX90							1.83 [47]	1.21 [31]	1.83 [47]							2.29 [58]	W28VT (2)	W28VT (2)	W28VT (2)	U28RT UR4205WE (1)	U28RT UR4205WE (1)			U28RT UR4205WE (1)
	YAV28LTC516FX	4/0 AWG CLASS G-M DLO (550/24) 120 mm² CLASS 2,5	4/0 AWG CLASS B,C	200	5/16	1	1.03 [26]	-----	-----	2.29 [58]	.34 [9]	.77 [20]	.15 [4]	.36 [9]	15	PURPLE	W28RT (2)	X28RT (3)	W28RT (2)	U28RT UR4205WE (1)	U28RT UR4205WE (1)	U28RT UR4205WE (1)	MECHANICAL: MY29-11 (1) HYDRAULIC: Y644M (1) PAT644 (1) Y81KFT (2) PAT81KFT (2) Y4PC834 (2) PAT4PC834 (2)	1-1/16"	
	YAV28LTC516FX45							1.14 [29]	1.70 [43]	.33 [8]							2.17 [55]	X28RT (3)	W28VT (2)	X28RT (3)	U28RT UR4205WE (1)	U28RT UR4205WE (1)			U28RT UR4205WE (1)
	YAV28LTC516FX90							1.83 [47]	1.21 [31]	1.83 [47]							2.29 [58]	W28VT (2)	W28VT (2)	W28VT (2)	U28RT UR4205WE (1)	U28RT UR4205WE (1)			U28RT UR4205WE (1)
	YAV28LNT38FX	4/0 AWG CLASS G-M DLO (550/24) 120 mm² CLASS 2,5	4/0 AWG CLASS B,C	200	3/8	1	1.03 [26]	-----	-----	2.42 [61]	.41 [10]	.77 [20]	.15 [4]	.42 [11]	15	PURPLE	W28RT (2)	X28RT (3)	W28RT (2)	U28RT UR4205WE (1)	U28RT UR4205WE (1)	U28RT UR4205WE (1)	MECHANICAL: MY29-11 (1) HYDRAULIC: Y644M (1) PAT644 (1) Y81KFT (2) PAT81KFT (2) Y4PC834 (2) PAT4PC834 (2)	1-1/16"	
	YAV28LNT38FX45							.94 [24]	1.70 [43]	.41 [10]							2.29 [58]	X28RT (3)	W28VT (2)	X28RT (3)	U28RT UR4205WE (1)	U28RT UR4205WE (1)			U28RT UR4205WE (1)
	YAV28LNT38FX90							1.83 [47]	1.33 [34]	1.83 [47]							2.29 [58]	W28VT (2)	W28VT (2)	W28VT (2)	U28RT UR4205WE (1)	U28RT UR4205WE (1)			U28RT UR4205WE (1)
	YAV28LTC38FX	4/0 AWG CLASS G-M DLO (550/24) 120 mm² CLASS 2,5	4/0 AWG CLASS B,C	200	3/8	1	1.03 [26]	1.14 [29]	-----	2.42 [61]	.41 [10]	.77 [20]	.15 [4]	.42 [11]	15	PURPLE	W28RT (2)	X28RT (3)	W28RT (2)	U28RT UR4205WE (1)	U28RT UR4205WE (1)	U28RT UR4205WE (1)	MECHANICAL: MY29-11 (1) HYDRAULIC: Y644M (1) PAT644 (1) Y81KFT (2) PAT81KFT (2) Y4PC834 (2) PAT4PC834 (2)	1-1/16"	
	YAV28LTC38FX45							1.14 [29]	1.70 [43]	.41 [10]							2.29 [58]	X28RT (3)	W28VT (2)	X28RT (3)	U28RT UR4205WE (1)	U28RT UR4205WE (1)			U28RT UR4205WE (1)
	YAV28LTC38FX90							1.83 [47]	1.33 [34]	1.83 [47]							2.29 [58]	W28VT (2)	W28VT (2)	W28VT (2)	U28RT UR4205WE (1)	U28RT UR4205WE (1)			U28RT UR4205WE (1)
	YAV28LTC12FX	4/0 AWG CLASS G-M DLO (550/24) 120 mm² CLASS 2,5	4/0 AWG CLASS B,C	200	1/2	1	1.03 [26]	-----	-----	2.67 [68]	.53 [13]	.77 [20]	.15 [4]	.55 [14]	15	PURPLE	W28RT (2)	X28RT (3)	W28RT (2)	U28RT UR4205WE (1)	U28RT UR4205WE (1)	U28RT UR4205WE (1)	MECHANICAL: MY29-11 (1) HYDRAULIC: Y644M (1) PAT644 (1) Y81KFT (2) PAT81KFT (2) Y4PC834 (2) PAT4PC834 (2)	1-1/16"	
	YAV28LTC12FX45							1.70 [43]	2.54 [65]	.53 [13]							2.54 [65]	X28RT (3)	W28VT (2)	X28RT (3)	U28RT UR4205WE (1)	U28RT UR4205WE (1)			U28RT UR4205WE (1)
	YAV28LTC12FX90							1.83 [47]	1.58 [40]	1.83 [47]							2.54 [65]	W28VT (2)	W28VT (2)	W28VT (2)	U28RT UR4205WE (1)	U28RT UR4205WE (1)			U28RT UR4205WE (1)
	YAV28LTC58FX	4/0 AWG CLASS G-M DLO (550/24) 120 mm² CLASS 2,5	4/0 AWG CLASS B,C	200	5/8	1	1.03 [26]	-----	-----	2.92 [74]	.66 [17]	.77 [20]	.15 [4]	.67 [17]	15	PURPLE	W28RT (2)	X28RT (3)	W28RT (2)	U28RT UR4205WE (1)	U28RT UR4205WE (1)	U28RT UR4205WE (1)	MECHANICAL: MY29-11 (1) HYDRAULIC: Y644M (1) PAT644 (1) Y81KFT (2) PAT81KFT (2) Y4PC834 (2) PAT4PC834 (2)	1-1/16"	
	YAV28LTC58FX45							1.70 [43]	2.79 [71]	.69 [17]							2.79 [71]	X28RT (3)	W28VT (2)	X28RT (3)	U28RT UR4205WE (1)	U28RT UR4205WE (1)			U28RT UR4205WE (1)
	YAV28LTC58FX90							1.83 [47]	1.83 [46]	1.83 [47]							2.79 [71]	W28VT (2)	W28VT (2)	W28VT (2)	U28RT UR4205WE (1)	U28RT UR4205WE (1)			U28RT UR4205WE (1)
	YAV28LTC34FX	4/0 AWG CLASS G-M DLO (550/24) 120 mm² CLASS 2,5	4/0 AWG CLASS B,C	200	3/4	1	1.03 [26]	-----	-----	3.11 [79]	.75 [19]	.77 [20]	.15 [4]	.77 [19]	15	PURPLE	W28RT (2)	X28RT (3)	W28RT (2)	U28RT UR4205WE (1)	U28RT UR4205WE (1)	U28RT UR4205WE (1)	MECHANICAL: MY29-11 (1) HYDRAULIC: Y644M (1) PAT644 (1) Y81KFT (2) PAT81KFT (2) Y4PC834 (2) PAT4PC834 (2)	1-1/16"	
	YAV28LTC34FX45							1.70 [43]	2.98 [76]	.81 [21]							2.98 [76]	X28RT (3)	W28VT (2)	X28RT (3)	U28RT UR4205WE (1)	U28RT UR4205WE (1)			U28RT UR4205WE (1)
	YAV28LTC34FX90							1.83 [47]	2.02 [51]	1.83 [47]							2.98 [76]	W28VT (2)	W28VT (2)	W28VT (2)	U28RT UR4205WE (1)	U28RT UR4205WE (1)			U28RT UR4205WE (1)


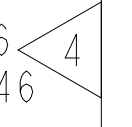
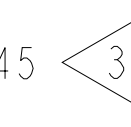
REV: PE0200

SEE SHEET 1 OF 18 FOR NOTES


TO ORDER BURNDY® PRODUCTS CALL		HYLUG™	
UNITED STATES 1-800-346-4175 (LONDONDERRY, NH)		ITEM NO: N/A	
CANADA: 1-800-361-6975 (QUEBEC) 1-800-387-6487 (ALL OTHER PROVINCES)		CAT. NO: YAV28L - (TABLE)	
FOR PRODUCT INFO: http://www.burndy.com		DRAWN BY: D FILLION 11/30/92	
		CHECKER: K HENRY 12/02/92	
		DSN APPVL: C PALAGI 12/04/92	
		MFG APPVL: -- --	
		QA APPVL: A LLOYD 12/02/92	
		MKT APPVL: T NELSON 12/04/92	
		SCALE: 1:1	
		PROJECT #: -- SIZE	
		DOCUMENT TYPE: Sales	
		REL LEVEL: Released	
		DRAWING NO: SE208001	
		SHEET 10 OF 18	
		REV: M	




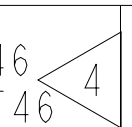
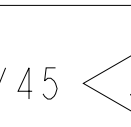
REV	DATE	DESCRIPTION	ECO	BY	C'H'K.
M	05/05/2017 16:12:00 PM	YA32LN516FX135 ADDED AS PER MU	46658	SM	MB

CONDUCTOR			BOLT SIZE	CATALOG NO.	FIG. NO.	DIMENSIONS							BURNDY® INSTALLATION TOOLING (# CRIMPS)														
FLEX	CODE (AWG)	NAVY 				B	C	H	K	L	N	O.D.	T REF.	Z MIN.	DIE INDEX	COLOR CODE	MECHANICAL RATCHET		HYDRAULIC			DIELESS (# CRIMPS)	WIRE STRIP LENGTH				
																	MD7-34R MD6	OUR840	BCT500 Y500CT PAT600	Y750, Y35 Y39, PAT750	Y46 PAT46 			Y45 			
250 FLEX CLASS G: 259 STR	-----	-----	5/16	YA30LTC516FX	1	1.03 [26]	1.20 [30]	-----		2.31 [59]			.81 [21]	.16 [4]		16	YELLOW	W29VT (2)	X29VT (2)	W29VT (2)	U29RT (1)	U29RT (1)	U29RT (1)	HYDRAULIC: Y644M (1) PAT644 (1) Y81KFT (2) PAT81KFT (2) Y4PC834 (2) PAT4PC834 (2)	1-1/16"		
				YA30LTC516FX45	2	1.75 [44]	.33 [8]	2.22 [56]	.34 [9]																		
				YA30LTC516FX90	3	1.89 [48]		1.24 [31]																			
CLASS H: 427 STR	-----	-----	3/8	YA30LTC38FX	1			-----		2.44 [62]													HYDRAULIC: Y644M (1) PAT644 (1) Y81KFT (2) PAT81KFT (2) Y4PC834 (2) PAT4PC834 (2)	1-1/16"			
				YA30LTC38FX45	2	1.75 [44]	.40 [10]	2.35 [60]	.41 [10]																		
				YA30LTC38FX90	3	1.89 [48]		1.36 [35]																			
250 FLEX CLASS G: 259 STR	-----	-----	1/2	YA30LTC12FX	1			-----		2.69 [68]													HYDRAULIC: Y644M (1) PAT644 (1) Y81KFT (2) PAT81KFT (2) Y4PC834 (2) PAT4PC834 (2)	1-1/16"			
				YA30LTC12FX45	2	1.75 [44]	.53 [13]	2.60 [66]	.53 [13]																		
				YA30LTC12FX90	3	1.89 [48]		1.61 [41]																			
CLASS H: 427 STR	-----	-----	5/8	YA30LTC58FX	1			-----		2.94 [75]													HYDRAULIC: Y644M (1) PAT644 (1) Y81KFT (2) PAT81KFT (2) Y4PC834 (2) PAT4PC834 (2)	1-1/16"			
				YA30LTC58FX45	2	1.75 [44]	.69 [17]	2.85 [72]	.66 [17]																		
				YA30LTC58FX90	3	1.89 [48]		1.86 [47]																			
250 FLEX CLASS G: 259 STR	-----	-----	3/4	YA30LTC34FX	1			-----		3.12 [79]													HYDRAULIC: Y644M (1) PAT644 (1) Y81KFT (2) PAT81KFT (2) Y4PC834 (2) PAT4PC834 (2)	1-1/16"			
				YA30LTC34FX45	2	1.75 [44]	.81 [21]	3.04 [77]	.75 [19]																		
				YA30LTC34FX90	3	1.03 [26]	1.20 [30]	1.89 [48]		2.05 [52]																	

SEE SHEET 1 OF 18 FOR NOTES

TO ORDER BURNDY® PRODUCTS CALL UNITED STATES 1-800-346-4175 (LONDONDERRY, NH) CANADA: 1-800-361-6975 (QUEBEC) 1-800-387-6487 (ALL OTHER PROVINCES) FOR PRODUCT INFO: http://www.burndy.com	HYLUG™ ITEM NO: N/A CAT. NO: YA30L-TC-FX- DRAWN BY: D FILLION 11/30/92 CHECKER: K HENRY 12/02/92 DSN APPVL: C PALAGI 12/04/92 MFG APPVL: -- QA APPVL: A LLOYD 12/07/92 MKT APPVL: T NELSON 12/04/92 PROD FAM: CM&R Compression PROJECT #: -- DOCUMENT TYPE: Sales REL LEVEL: Released
	
DRAWING NO: SE208001 SHEET 11 OF 18 SCALE: 1:1 REV: M	

REV	DATE	DESCRIPTION	ECO	BY	C'K.
M	05/05/2017 16:12:00 PM	YA32LN516FX135 ADDED AS PER MU	46658	SM	MB

CONDUCTOR			BOLT SIZE	CATALOG NO.	FIG. NO.	DIMENSIONS							BURNDY® INSTALLATION TOOLING (# CRIMPS)																
FLEX	CODE (AWG)	NAVY 				B	C	H	K	L	N	O.D	T REF.	Z MIN.	DIE INDEX	COLOR CODE	MECHANICAL RATCHET		HYDRAULIC			DIELESS (# CRIMPS)	WIRE STRIP LENGTH						
																	MD7-34R MD6	OUR840	BCT500 Y500CT PAT600	Y750, Y35 Y39, PAT750	Y46 PAT46 			Y45 					
250 FLEX CLASS I, K, M DLO (637/24) 150 mm² CLASS 5	-----	-----	1/4	YA31LTC14FX	1	1.06 [27]	1.29 [33]	-----		2.31 [59]			.88 [22]	.18 [4]			17 OR 298	WHITE	W30VT (2)	X30VT (2)	W30VT (2)	U30RT (2)	U30RT (2)	U30RT (2)		1-1/8"			
				YA31LTC14FX45	2			1.85 [47]	.27 [7]	2.23 [57]	.31 [8]																		
				YA31LTC14FX90	3			1.98 [50]		1.19 [30]																			
			5/16	YA31LTC516FX	1			-----			2.37 [60]																		
				YA31LTC516FX45	2			1.85 [47]	.33 [8]	2.30 [58]	.34 [9]																		
				YA31LTC516FX90	3			1.98 [50]		1.27 [32]																			
			3/8	YA31LTC38FX	1			-----			2.50 [64]																		
				YA31LTC38FX45	2			1.85 [47]	.40 [10]	2.42 [61]	.41 [10]																		
				YA31LTC38FX90	3			1.29 [33]		1.40 [36]																			
			1/2	YA31LNT12FX	1			-----			2.75 [70]																		
				YA31LNT12FX45	2			.96 [24]	.53 [13]	2.67 [68]	.53 [13]																		
				YA31LNT12FX90	3			1.29 [33]		1.65 [42]																			
1/2	YA31LTC12FX	1			-----			2.75 [70]																					
	YA31LTC12FX45	2			1.29 [33]	.53 [13]	2.67 [68]	.53 [13]																					
	YA31LTC12FX90	3					1.65 [42]																						
5/8	YA31LTC58FX	1			-----			3.00 [76]																					
	YA31LTC58FX45	2			1.85 [47]	.69 [17]	2.92 [74]	.66 [17]																					
	YA31LTC58FX90	3			1.98 [50]		1.90 [48]																						
3/4	YA31LTC34FX	1			-----			3.19 [81]																					
	YA31LTC34FX45	2			1.85 [47]	.81 [21]	3.11 [79]	.75 [19]																					
	YA31LTC34FX90	3			1.06 [27]		2.09 [53]																						

HYDRAULIC:
Y644M (1)
PAT644 (1)
Y81KFT (2)
PAT81KFT (2)
Y4PC834 (2)
PAT4PC834 (2)

REV: PEO200

SEE SHEET 1 OF 18 FOR NOTES

TO ORDER BURNDY® PRODUCTS CALL		HYLUG™	
UNITED STATES 1-800-346-4175 (LONDONDERRY, NH)		ITEM NO: N/A	
CANADA: 1-800-361-6975 (QUEBEC) 1-800-387-6487 (ALL OTHER PROVINCES)		CAT. NO: YA31L-TC-FX-	
FOR PRODUCT INFO: http://www.burndy.com		DRAWN BY: D FILLION 12/01/92	
		CHECKER: K HENRY 12/02/92	
		DSN APPVL: C PALAGI 12/04/92	
		MFG APPVL: --	
		QA APPVL: A LLOYD 12/07/92	
		MKT APPVL: T NELSON 12/04/92	
		PROD FAM: CM&R Compression	
		DRAWING NO: SE208001	
		PROJECT #: --	
		DOCUMENT TYPE: Sales	
		REL LEVEL: Released	
		SCALE: 1:1	
		SHEET 12 OF 18	


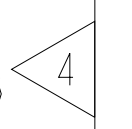



REV	DATE	DESCRIPTION	ECO	BY	CHK.
M	05/05/2017 16:12:00 PM	YA32LN516FX135 ADDED AS PER MU	46658	SM	MB

D	CATALOG NO.	FIG. NO.	CONDUCTOR			BOLT SIZE	DIMENSIONS							BURNDY® INSTALLATION TOOLING (# CRIMPS)										D						
			FLEX	CODE (AWG)	NAVY		B	C	H	K DIA.	L	N	O.D.	T REF.	Z MIN.	DIE INDEX	COLOR CODE	MECHANICAL RATCHET		HYDRAULIC					DIELESS (# CRIMPS)	WIRE STRIP LENGTH				
																		MD7-34R MD6	OUR840	BCT500 Y500CT PAT600	Y750, Y35 Y39, PAT750	Y46 PAT46	Y45							
	YA32LNT516FX	1	313.1 Kcmil DLO (775/24) (300 Kcmil FLEX) 185 mm² CLASS 5	-----	-----	5/16 [M8]	1.19 [30]	.96 [24]	-----	.33 [8]	2.65 [65]	.34 [9]	.95 [24]	.19 [5]	.36 [9]	18 OR 324	RED	W31VT (2)	X31VT (2)	W31VT (2)	U31RT (2)	U31RT (2)	U31RT (2)	HYDRAULIC: Y644M (1) BAT644M(1) PAT644M(1) PAT644 (1) Y81KFT (2) PAT81KFT (2) Y4PC834 (2) PAT4PC834 (2)	1-1/4"					
	YA32LNT516FX45	2					2.03 [52]	2.46 [62]	2.68 [68]		2.46 [62]							2.03 [52]	2.58 [66]											
	YA32LNT516FX90	3					2.19 [56]	1.32 [34]	2.03 [52]		1.45 [37]							2.19 [56]	1.45 [37]											
	YA32LN516FX135	4				1.40 [36]	2.75 [70]	2.03 [52]	1.45 [37]	2.19 [56]	1.45 [37]																			
	YA32LNT38FX	1				3/8 [M10]	.96 [24]	.41 [10]	2.68 [68]	.41 [10]	.42 [11]	.55 [14]	.67 [17]	.89 [23]	18 OR 324	RED	W31VT (2)	X31VT (2)	W31VT (2)	U31RT (2)	U31RT (2)	U31RT (2)								
	YA32LNT38FX45	2							2.03 [52]														2.58 [66]			2.03 [52]	1.45 [37]	2.19 [56]	1.45 [37]	
	YA32LNT38FX90	3							2.19 [56]														1.45 [37]			2.19 [56]	1.45 [37]	2.19 [56]	1.45 [37]	
	YA32LTC38FX	1						1/2 [12]	1.40 [36]	.53 [13]	2.68 [68]	.53 [13]	.55 [14]	.67 [17]	.89 [23]	18 OR 324	RED	W31VT (2)	X31VT (2)	W31VT (2)	U31RT (2)	U31RT (2)	U31RT (2)							
	YA32LTC38FX45	2									2.03 [52]															2.58 [66]	2.03 [52]	1.45 [37]	2.19 [56]	1.45 [37]
	YA32LTC38FX90	3									2.19 [56]															1.45 [37]	2.19 [56]	1.45 [37]	2.19 [56]	1.45 [37]
	YA32LTC12FX	1				5/8 [16]	1.40 [36]	.69 [17]	3.18 [81]	.69 [17]	.67 [17]	.89 [23]	.89 [23]	18 OR 324	RED	W31VT (2)	X31VT (2)	W31VT (2)	U31RT (2)	U31RT (2)	U31RT (2)									
	YA32LTC12FX45	2							2.03 [52]													2.83 [72]	2.03 [52]			1.45 [37]	2.19 [56]	1.45 [37]		
	YA32LTC12FX90	3							2.19 [56]													1.70 [43]	2.19 [56]			1.45 [37]	2.19 [56]	1.45 [37]		
	YA32LTC58FX	1				7/8 [20]	1.40 [36]	.94 [24]	3.18 [81]	.94 [24]	.89 [23]	.89 [23]	.89 [23]	18 OR 324	RED	W31VT (2)	X31VT (2)	W31VT (2)	U31RT (2)	U31RT (2)	U31RT (2)									
	YA32LTC58FX45	2							2.03 [52]													3.08 [78]	2.03 [52]			1.45 [37]	2.19 [56]	1.45 [37]		
	YA32LTC58FX90	3							2.19 [56]													1.95 [49]	2.03 [52]			1.45 [37]	2.19 [56]	1.45 [37]		
	YA32LTC78FX	1				185 mm² CLASS 5	-----	-----	3.62 [92]	.94 [24]	.89 [23]	.89 [23]	.89 [23]	18 OR 324	RED	W31VT (2)	X31VT (2)	W31VT (2)	U31RT (2)	U31RT (2)	U31RT (2)									
	YA32LTC78FX45	2							2.03 [52]													3.52 [89]	2.03 [52]			1.45 [37]	2.19 [56]	1.45 [37]		
	YA32LTC78FX90	3	2.19 [56]	2.38 [60]	2.03 [52]				1.45 [37]													2.19 [56]	1.45 [37]							

A	SEE SHEET 1 OF 18 FOR NOTES	TO ORDER BURNDY® PRODUCTS CALL UNITED STATES 1-800-346-4175 (LONDONDERRY, NH) CANADA: 1-800-361-6975 (QUEBEC) 1-800-387-6487 (ALL OTHER PROVINCES) FOR PRODUCT INFO: http://www.burndy.com	HYLUG™					A	
			ITEM NO:	N/A					
			CAT. NO:	YA32L- (TABLE)					
			DRAWN BY:	D FILLION	12/01/92				
			CHECKER:	K HENRY	12/02/92				
DSN APPVL:	C PALAGI	12/04/92							
MFG APPVL:	--	--							
QA APPVL:	A LLOYD	12/07/92							
MKT APPVL:	T NELSON	12/04/92							
PROD FAM:	CM&R Compression	DRAWING NO	REV						
PROJECT #:	--	SIZE	SE208001	M					
DOCUMENT TYPE:	Sales								
REL LEVEL:	Released	D	SHEET 13 OF 18						

REV	DATE	DESCRIPTION	ECO	BY	C'K'.
M	05/05/2017 16:12:00 PM	YA32LN516FX135 ADDED AS PER MU	46658	SM	MB

CONDUCTOR			BOLT SIZE	CATALOG NO.	FIG. NO.	DIMENSIONS							BURNDY® INSTALLATION TOOLING (# CRIMPS)													
FLEX	CODE (AWG)	NAVY 				B	C	H	K	L	N	O.D.	T REF.	Z MIN.	DIE INDEX	COLOR CODE	MECHANICAL RATCHET		HYDRAULIC			DIELESS (# CRIMPS)	WIRE STRIP LENGTH			
															MD7-34R MD6	OUR840	BCT500 Y500CT PAT600	Y750, Y35 Y39, PAT750	Y46 PAT46 	Y45 						
373.7 Kcmil DLO (925/24) (350 Kcmil/FLEX) 240 mm² CLASS 5	-----	-----	5/16	YA34LTC516FX	1	1.27 [32]	1.55 [39]	-----		2.74 [70]			1.06 [27]	.23 [6]										1-5/16"		
				YA34LTC516FX45	2			2.24 [57]	.33 [8]	2.66 [67]	.34 [9]															
				YA34LTC516FX90	3			2.41 [61]		1.40 [36]																
373.7 Kcmil DLO (925/24) (350 Kcmil/FLEX) 240 mm² CLASS 5	-----	-----	3/8	YA34LTC38FX	1			-----		2.87 [73]														HYDRAULIC: Y644M (1) PAT644 (1) Y81KFT (2) PAT81KFT (2) Y4PC834 (2) PAT4PC834 (2)		
				YA34LTC38FX45	2			2.24 [57]	.40 [10]	2.78 [70]	.41 [10]															
				YA34LTC38FX90	3			2.41 [61]		1.52 [39]																
373.7 Kcmil DLO (925/24) (350 Kcmil/FLEX) 240 mm² CLASS 5	-----	-----	1/2	YA34LTC12FX	1			-----		3.12 [79]														1-5/16"		
				YA34LTC12FX45	2			2.24 [57]	.53 [13]	3.03 [76]	.53 [13]															
				YA34LTC12FX90	3			2.41 [61]		1.77 [45]																
373.7 Kcmil DLO (925/24) (350 Kcmil/FLEX) 240 mm² CLASS 5	-----	-----	5/8	YA34LTC58FX	1			-----		3.37 [86]														1-5/16"		
				YA34LTC58FX45	2			2.24 [57]	.69 [18]	3.28 [83]	.66 [17]															
				YA34LTC58FX90	3			1.27 [32]	1.55 [39]	2.41 [61]		2.02 [52]			1.06 [27]	.23 [6]										

SEE SHEET 1 OF 18 FOR NOTES

TO ORDER BURNDY® PRODUCTS CALL		HYLUG™	
UNITED STATES 1-800-346-4175 (LONDONDERRY, NH)		ITEM NO: N/A	
CANADA: 1-800-361-6975 (QUEBEC) 1-800-387-6487 (ALL OTHER PROVINCES)		CAT. NO: YA34L-TC-FX-	
FOR PRODUCT INFO: http://www.burndy.com		DRAWN BY: D FILLION 12/01/92	
		CHECKER: K HENRY 12/02/92	
		DSN APPVL: C PALAGI 12/04/92	
		MFG APPVL: -- --	
		QA APPVL: A LLOYD 12/07/92	
		MKT APPVL: -- --	
		SCALE: 1:1	
		PROD FAM: CM&R Compression	
		DRAWING NO	
		PROJECT #: --	
		SIZE	
		DOCUMENT TYPE: Sales	
		REL LEVEL: Released	
		DRAWING NO	
		REV	
		SE208001	
		M	
		SHEET 14 OF 18	

REV: PEO200

REV	DATE	DESCRIPTION	ECO	BY	C'H'K.
M	05/05/2017 16:12:00 PM	YA32LN516FX135 ADDED AS PER MU	46658	SM	MB

D

C

B


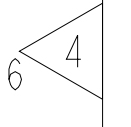
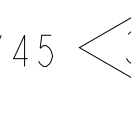
A

D

C

B

A

CATALOG NO.	CONDUCTOR			BOLT SIZE	FIG. NO.	DIMENSIONS							BURNDY® INSTALLATION TOOLING (# CRIMPS)								
	FLEX	CODE (AWG)	NAVY 			B	C	H	K	L	N	O.D.	T REF.	Z MIN.	DIE INDEX	COLOR CODE	HYDRAULIC			DIELESS (# CRIMPS)	WIRE STRIP LENGTH
																	Y750 Y35 Y39, PAT750	Y46 PAT46 	Y45 		
YA36LTC38FX	444.4 Kcmil DLO (1100/24) (450 Kcmil FLEX)	-----	-----	3/8	1.38 [35]	1.74 [44]	-----	.41 [10]	3.23 [82]	.50 [13]	1.19 [31]	.27 [7]	.51 [13]	20 OR 299	BROWN	U34RT (2)	U34RT (2)	U34RT (2)	HYDRAULIC: Y644M (1) PAT644 (1) Y81KFT (2) PAT81KFT (2) Y4PC834 (2) PAT4PC834 (2)	1-3/8"	
YA36LTC38FX45							2.48 [63]		3.20 [81]												
YA36LTC38FX90							2.68 [68]		1.80 [46]												
YA36LTC12FX	444.4 Kcmil DLO (1100/24) (450 Kcmil FLEX)	-----	-----	1/2	1.38 [35]	1.74 [44]	-----	.53 [13]	3.29 [84]	.53 [13]	1.19 [31]	.27 [7]	.55 [14]	20 OR 299	BROWN	U34RT (2)	U34RT (2)	U34RT (2)	HYDRAULIC: Y644M (1) PAT644 (1) Y81KFT (2) PAT81KFT (2) Y4PC834 (2) PAT4PC834 (2)	1-3/8"	
YA36LTC12FX45							2.48 [63]		3.26 [83]												
YA36LTC12FX90							2.68 [68]		1.86 [47]												
YA36LTC58FX	444.4 Kcmil DLO (1100/24) (450 Kcmil FLEX)	-----	-----	5/8	1.38 [35]	1.74 [44]	-----	.69 [17]	3.54 [90]	.66 [17]	1.19 [31]	.27 [7]	.67 [17]	20 OR 299	BROWN	U34RT (2)	U34RT (2)	U34RT (2)	HYDRAULIC: Y644M (1) PAT644 (1) Y81KFT (2) PAT81KFT (2) Y4PC834 (2) PAT4PC834 (2)	1-3/8"	
YA36LTC58FX45							2.48 [63]		3.51 [89]												
YA36LTC58FX90							2.68 [68]		2.11 [54]												
YA36LTC78FX	444.4 Kcmil DLO (1100/24) (450 Kcmil FLEX)	-----	-----	7/8	1.38 [35]	1.74 [44]	-----	.94 [24]	3.98 [101]	.88 [23]	1.19 [31]	.27 [7]	.89 [23]	20 OR 299	BROWN	U34RT (2)	U34RT (2)	U34RT (2)	HYDRAULIC: Y644M (1) PAT644 (1) Y81KFT (2) PAT81KFT (2) Y4PC834 (2) PAT4PC834 (2)	1-3/8"	
YA36LTC78FX45							2.48 [63]		3.98 [101]												
YA36LTC78FX90							2.68 [68]		2.11 [54]												

SEE SHEET 1 OF 18 FOR NOTES

TO ORDER BURNDY® PRODUCTS CALL		HYLUG™	
UNITED STATES 1-800-346-4175 (LONDONDERRY, NH)		ITEM NO: N/A	
CANADA: 1-800-361-6975 (QUEBEC) 1-800-387-6487 (ALL OTHER PROVINCES)		CAT. NO: YA36L-TC--FX- (TABLE)	
FOR PRODUCT INFO: http://www.burndy.com		DRAWN BY: D FILLION 12/01/92	
		CHECKER: K HENRY 12/02/92	
		DSN APPVL: C PALAGI 12/04/92	
		MFG APPVL: --	
		QA APPVL: A LLOYD 12/07/92	
		MKT APPVL: T NELSON 12/07/92	
		PROD FAM: CM&R Compression	
		DRAWING NO	
		PROJECT #: --	
		SIZE	
		DOCUMENT TYPE: Sales	
		REL LEVEL: Released	
		SCALE: 1:1	
		SE208001	
		SHEET 15 OF 18	
		M	



REV: PEO200

REV	DATE	DESCRIPTION	ECO	BY	C'K'.
M	05/05/2017 16:12:00 PM	YA32LN516FX135 ADDED AS PER MU	46658	SM	MB

D	CONDUCTOR			BOLT SIZE	CATALOG NO.	FIG. NO.	DIMENSIONS							BURNDY® INSTALLATION TOOLING (# CRIMPS)					D							
	FLEX	CODE (AWG)	NAVY				B	C	H	K	L	N	O.D.	T REF.	Z MIN.	DIE INDEX	COLOR CODE	HYDRAULIC			DIELESS (# CRIMPS)	WIRE STRIP LENGTH				
																		Y750 Y35 Y39, PAT750		Y46 PAT46			Y45			
C	535.3 Kcmil DLO (1325/24) (500 Kcmil FLEX)	-----	-----	5/16	YA38LTC516FX	1	1.45 [37]	1.84 [47]	-----		3.03 [77]		1.25 [32]	.27 [7]			L99	PINK	U38XRT UR4140WE (2)	U38XRT UR4140WE (2)	U38XRT UR4140WE (2)	HYDRAULIC: Y644M (1) PAT644 (1) Y81KFT (2) PAT81KFT (3) Y4PC834 (3) PAT4PC834 (3)	1-7/16"			
					YA38LTC516FX45	2		2.60 [66]	.33 [8]	2.97 [75]	.34 [9]															
					YA38LTC516FX90	3		2.80 [71]		1.52 [39]																
					YA38LTC38FX	1		-----		3.34 [85]																
					YA38LTC38FX45	2		2.60 [66]	.40 [10]	3.29 [84]	.50 [13]															
					YA38LTC38FX90	3		2.80 [71]		1.83 [46]																
	300 mm ² CLASS 5	-----	-----	3/8	YA38LTC12FX	1			-----		3.41 [87]															
					YA38LTC12FX45	2		2.60 [66]	.53 [13]	3.35 [85]	.53 [13]															
					YA38LTC12FX90	3		2.80 [71]		1.90 [48]																
					YA38LTC58FX	1		-----		3.66 [93]																
					YA38LTC58FX45	2		2.60 [66]	.69 [17]	3.60 [91]	.66 [17]															
					YA38LTC58FX90	3		2.80 [71]		2.15 [55]																
535.3 Kcmil DLO (1325/24) (500 Kcmil FLEX)	-----	-----	5/8			1.45 [37]	1.84 [47]					1.25 [32]	.27 [7]			L99	PINK	U38XRT UR4140WE (2)	U38XRT UR4140WE (2)	U38XRT UR4140WE (2)		1-7/16"				

B

A


SEE SHEET 1 OF 18 FOR NOTES

TO ORDER BURNDY® PRODUCTS CALL		HYLUG™	
UNITED STATES 1-800-346-4175 (LONDONDERRY, NH)		ITEM NO: N/A	
CANADA: 1-800-361-6975 (QUEBEC) 1-800-387-6487 (ALL OTHER PROVINCES)		CAT. NO: YA38L-TC-FX-	
FOR PRODUCT INFO: http://www.burndy.com		DRAWN BY: D FILLION 12/01/92	
		CHECKER: K HENRY 12/02/92	
		DSN APPVL: C PALAGI 12/04/92	
		MFG APPVL: --	
		QA APPVL: A LLOYD 12/07/92	
		MKT APPVL: T NELSON 12/04/92	
		PROD FAM: CM&R Compression	
		DRAWING NO: SE208001	
		PROJECT #: --	
		DOCUMENT TYPE: Sales	
		REL LEVEL: Released	
		SCALE: 1:1	
		SHEET 16 OF 18	



REV: PEO200

REV	DATE	DESCRIPTION	ECO	BY	C'H'K.
M	05/05/2017 16:12:00 PM	YA32LN516FX135 ADDED AS PER MU	46658	SM	MB


D	CONDUCTOR			BOLT SIZE	CATALOG NO.	FIG. NO.	DIMENSIONS							BURNDY® INSTALLATION TOOLING (# CRIMPS)											
	FLEX	CODE (AWG)	NAVY 				B	C	H	K	L	N	O.D.	T REF.	Z MIN.	DIE INDEX	COLOR CODE	HYDRAULIC			DIELESS (# CRIMPS)	WIRE STRIP LENGTH			
																		Y750 Y35 Y39, PAT750	Y46 PAT46	Y45					
C	646 Kcmil DLO (1600/24) (650 Kcmil FLEX) 400 mm² CLASS 5	↑	↑	5/16	YA40LTC516FX	1	1.42 [36]	1.98 [50]	-----		3.05 [77]		1.35 [34]	.30 [8]		24	BLACK	U39RT (2)	U39RT (2)	U39RT (2)	HYDRAULIC: Y644M (1) PAT644 (1) Y81KFT (2) PAT81KFT (3) Y4PC834 (3) PAT4PC834 (3)	1-5/16"			
					YA40LTC516FX45	2			2.71 [69]	.33 [8]	3.06 [78]	.34 [9]													
					YA40LTC516FX90	3			2.89 [73]		1.59 [40]														
					YA40LTC38FX	1			-----		3.38 [86]														
					YA40LTC38FX45	2			2.71 [69]	.40 [10]	3.38 [86]	.50 [13]													
					YA40LTC38FX90	3			2.89 [73]		1.91 [49]														
	646 Kcmil DLO (1600/24) (650 Kcmil FLEX) 400 mm² CLASS 5	↓	↓	5/8	YA40LTC12FX	1			-----		3.43 [87]														
					YA40LTC12FX45	2			2.71 [69]	.53 [13]	3.44 [87]	.53 [13]													
					YA40LTC12FX90	3			2.89 [73]		1.96 [50]														
					YA40LTC58FX	1			-----		3.68 [93]														
					YA40LTC58FX45	2			2.71 [69]	.69 [17]	3.69 [94]	.66 [17]													
					YA40LTC58FX90	3			2.89 [73]		2.21 [56]														

B

A

SEE SHEET 1 OF 18 FOR NOTES

TO ORDER BURNDY® PRODUCTS CALL UNITED STATES 1-800-346-4175 (LONDONDERRY, NH) CANADA: 1-800-361-6975 (QUEBEC) 1-800-387-6487 (ALL OTHER PROVINCES) FOR PRODUCT INFO: http://www.burndy.com	HYLUG™	
	ITEM NO:	N/A
	CAT. NO:	YA40L-TC-FX-
	DRAWN BY:	D FILLION 12/01/91
	CHECKER:	K HENRY 12/02/92
	DSN APPVL:	C PALAGI 12/04/92
	MFG APPVL:	--
	QA APPVL:	A LLOYD 12/07/92
	MKT APPVL:	T NELSON 12/04/92
	PROD FAM:	CM&R Compression
PROJECT #:	SIZE	DRAWING NO
DOCUMENT TYPE:	Sales	SE208001
REL LEVEL:	Released	SHEET 17 OF 18



REV	DATE	DESCRIPTION	ECO	BY	C'H'K.
M	05/05/2017 16:12:00 PM	YA32LN516FX135 ADDED AS PER MU	46658	SM	MB

CATALOG NO.	FIG. NO.	CONDUCTOR			BOLT SIZE	DIMENSIONS								BURNDY® INSTALLATION TOOLING (# CRIMPS)											
		FLEX	CODE (AWG)	NAVY		B	C	H	K	L	N	O.D.	T REF.	Z MIN.	DIE INDEX	COLOR CODE	HYDRAULIC			DIELESS (# CRIMPS)	WIRE STRIP LENGTH				
																	Y750 Y35 Y39 BAT750 PAT750	Y46 PAT46	Y45						
YA44LTC12FX	1	777.7 Kcmil DLO (1925/24) (750 Kcmil FLEX)	500 mm ² CLASS 5		1/2 [M12]	1.65 [42]	2.19 [56]	-----		3.79 [96]		1.50 [38]	.33 [8]		L115	YELLOW	U44XRT UR4141WE (2)	U44XRT UR4141WE (2)	U44XRT UR4141WE (2)	HYDRAULIC: Y644M (1) PAT644 (1) Y81KFT (2) PAT81KFT (3) Y4PC834 (3) PAT4PC834 (3)	1-5/8"				
YA44LTC12FX45	2						3.06 [78]	.53 [13]	3.74 [95]	.53 [13]															
YA44LTC12FX90	3						3.28 [84]		2.06 [53]																
YA44LTC58FX	1				5/8 [M16]	-----		4.04 [103]																	
YA44LTC58FX45	2						3.06 [78]	.69 [18]	3.99 [101]	.66 [17]															
YA44LTC58FX90	3						2.19 [56]		3.28 [84]		2.31 [59]														
YA44LNT12FX	1				1/2 [M12]		1.65 [42]	1.62 [41]	-----	.56 [14]	3.98 [101]	.62 [16]		1.50 [38]	.33 [8]		L115	YELLOW	U44XRT UR4141WE (2)			U44XRT UR4141WE (2)	U44XRT UR4141WE (2)		1-5/8"
YA44LTC38FX	1							3/8 [M10]	2.19 [56]	-----	.41 [10]	3.73 [95]	.50 [13]												

B

B

A

A

SEE SHEET 1 OF 18 FOR NOTES

TO ORDER BURNDY® PRODUCTS CALL		HYLUG™	
UNITED STATES 1-800-346-4175 (LONDONDERRY, NH)		ITEM NO: N/A	CAT. NO: YA44L-TC-FX-
CANADA: 1-800-361-6975 (QUEBEC) 1-800-387-6487 (ALL OTHER PROVINCES)		DRAWN BY: D FILLION 12/17/92	CHECKER: K HENRY 12/18/92
FOR PRODUCT INFO: http://www.burndy.com		DSN APPVL: C PALAGI 12/22/92	MFG APPVL: --
		GA APPVL: A LLOYD 12/31/92	MKT APPVL: T NELSON 01/12/93
		PROD FAM: CM&R Compression	DRAWING NO: SE208001
		PROJECT #: --	SCALE: 1:1
		DOCUMENT TYPE: Sales	SHEET 18 OF 18
		REL LEVEL: Released	REV: M



REV: PEO200