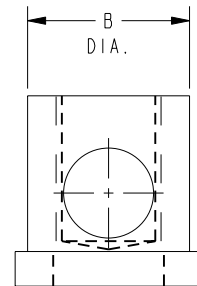
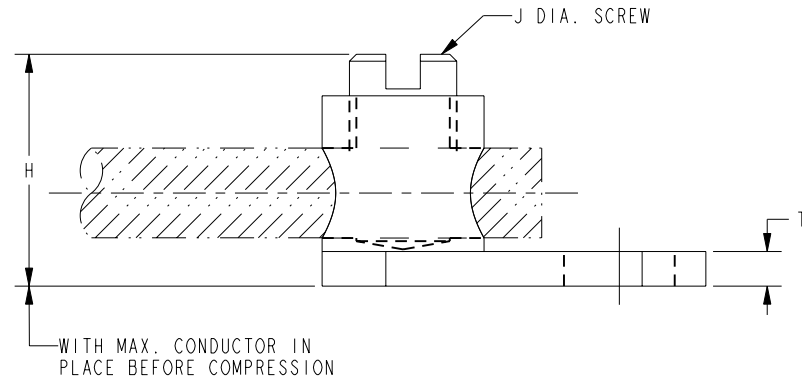
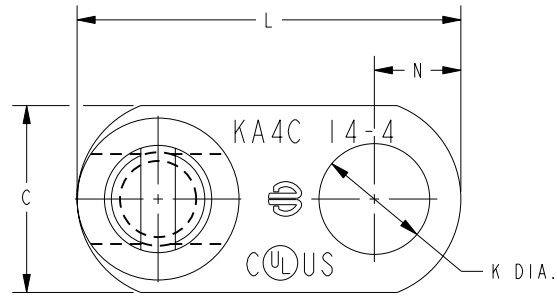


DRAWING NO.
SC088846-01

CATALOG NUMBER	ACCOMMODATES COPPER CABLE	B DIA.	C	H	J DIA. SCREW	K DIA.	L	N	T	FINISH	SCREW DESCRIPTION	REV	DATE	DESCRIPTION	ECO	BY	C'H'K.
												C	06/30/2011 00:00:00 AM	REDRAW IN PORE	24978	MRA	JG
KA8C	#14 SOL. (.064 DIA.)- #8 STR. (.146 DIA.)	.32 [8.1]	.38 [9.7]	.607 [15.42]	12-24UNC	.21 [5.3]	.81 [20.6]	.19 [4.8]	.08 [2.0]	---	FLAT HD. (ROUND TIP) ZINC PLATED SET SCREW. STEEL						
KA4C	#14 SOL. (.064 DIA.)- #4 STR. (.232 DIA.)	.47 [11.9]	.54 [13.7]	.77 [19.6]	5/16"-24UNF	.28 [7.1]	1.11 [28.2]	.25 [6.4]	.10 [2.8]	---							
KA8CTN	#14 SOL. (.064 DIA.)- #8 STR. (.146 DIA.)	.32 [8.1]	.38 [9.7]	.607 [15.42]	12-24UNC	.21 [5.3]	.81 [20.6]	.19 [4.8]	.08 [2.0]	TIN PLATE							
KA4CTN	#14 SOL. (.064 DIA.)- #4 STR. (.232 DIA.)	.47 [11.9]	.54 [13.7]	.77 [19.6]	5/16"-24UNF	.28 [7.1]	1.11 [28.2]	.25 [6.4]	.10 [2.8]	TIN PLATE		FLAT HD. (FLAT TIP) NICKEL PLATED SCREW. STEEL					
KA4CG16NKH	#14 SOL. (.064 DIA.)- #4 STR. (.232 DIA.)	.47 [11.9]	.54 [13.7]	1.02 [26]	5/16"-24UNF	.32 [8.1]	1.11 [28.2]	.25 [6.4]	.10 [2.8]	NICKEL PLATE		HEX HD. (FLAT TIP) NICKEL PLATED SCREW. STEEL					
KA4CG16	#14 SOL. (.064 DIA.)- #4 STR. (.232 DIA.)	.47 [11.9]	.54 [13.7]	.77 [19.6]	5/16"-24UNF	.32 [8.1]	1.11 [28.2]	.25 [6.4]	.10 [2.8]	---		FLAT HD. (ROUND TIP) ZINC PLATED SET SCREW. STEEL					



NOTES:
 1. NOT "UL" LISTED OR "CSA" CERTIFIED.
 2. MATERIAL: BODY - COPPER ALLOY
 FINISH - SEE ABOVE
 SCREW DESC. - SEE ABOVE

TO ORDER BURNDY® PRODUCTS CALL
 UNITED STATES:
 1-800-346-4175 (LONDONDERRY, NH)
 CANADA:
 1-800-361-6975 (QUEBEC)
 1-800-387-6487 (ALL OTHER PROVINCES)
 FOR PRODUCT INFO: <http://www.burndy.com>

COPPER TERMINAL			
ITEM NO:	N/A		
CAT. NO:	KAC, KACTN (TABLE)		
DRAWN BY:	H.C.	3/14/84	
CHECKER:	A.J.M.	4/13/84	
DSN APPVL:	M.J.M.	6/12/84	
MFG APPVL:	--	--	
QA APPVL:	--	--	
MKT APPVL:	--	--	
SCALE:	3:1		
PROD FAM:	--	DRAWING NO	REV
PROJECT #:	--	SC088846-01	C
DOCUMENT TYPE:	Sales	SHEET 1 OF 1	
REL LEVEL:	Released		

REV: PE0200

