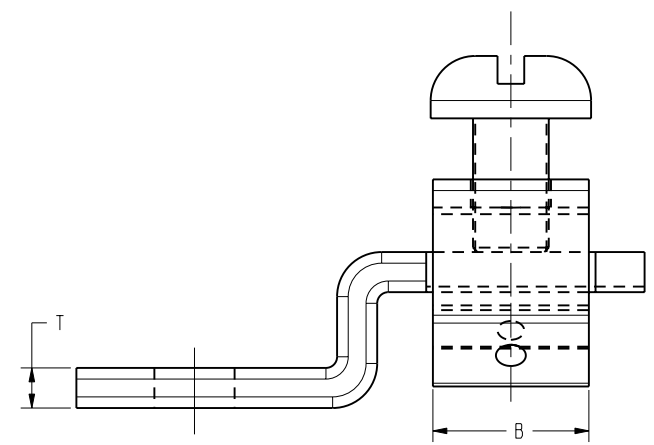
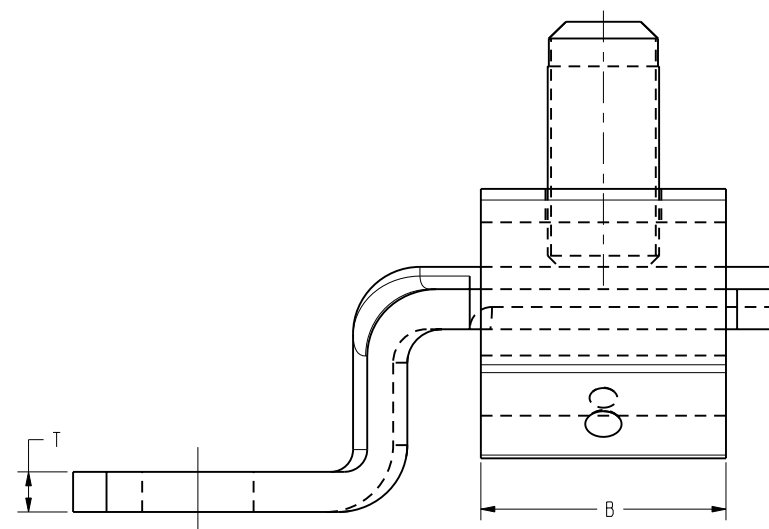
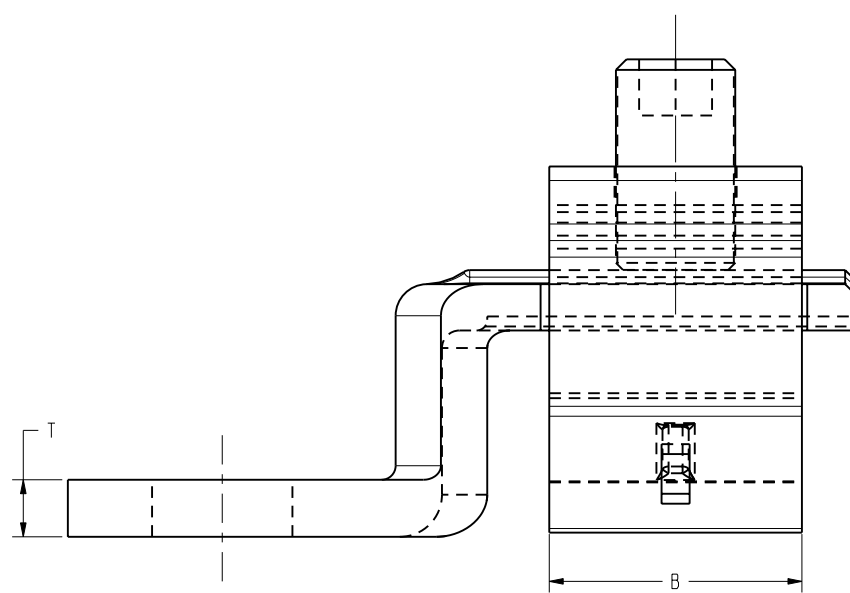
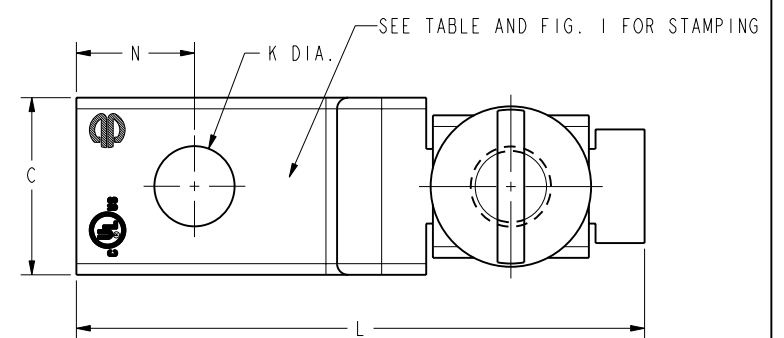
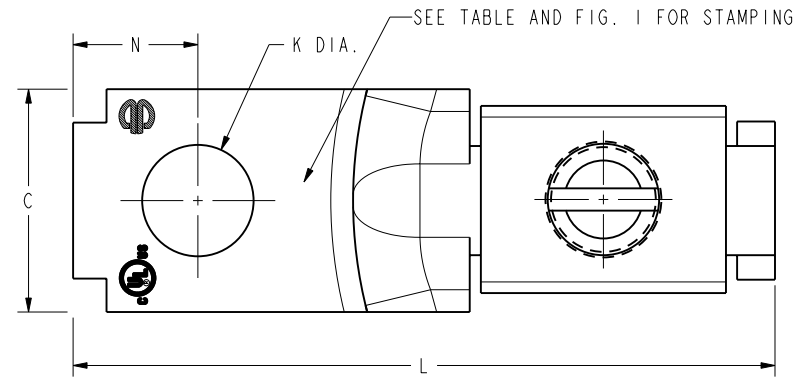
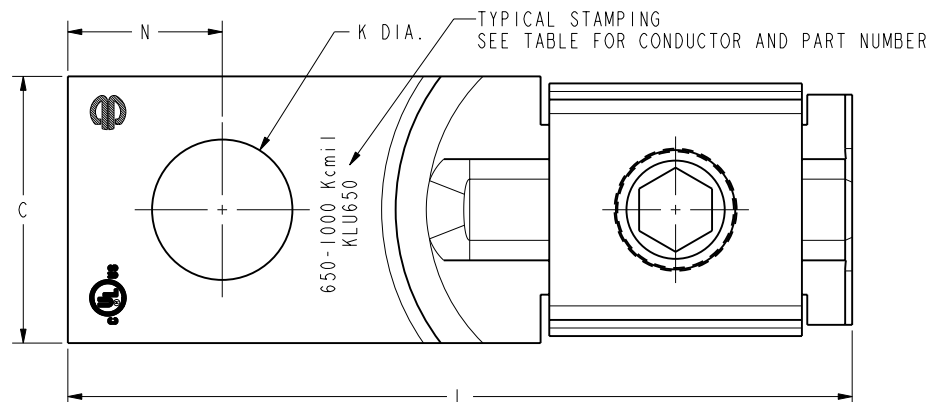


CATALOG NUMBER	CONDUCTOR	FIG. NO	RECOMMENDED TIGHTENING TORQUE IN LBS							HARDWARE	STUD HOLE SIZE	QUANTITY/PACKAGE	STRIP LENGTH (IN)
			B	C	K	L	N	T					
KLU25 KLU25TP	14 SOL .064 [2] DIA. TO 10 SOL .102 [3] DIA. CU	3	.28 [7]	.31 [8]	.14 [4]	1.02 [26]	.21 [5]	.07 [2]	20	NO 8-32 SLOTTED ROUND MACHINE SCREW	#6	100	7/16
KLU35 KLU35TP	14 SOL .0641 [2] DIA. TO 6 STR .184 [5] DIA. CU	2	.43 [11]	.39 [10]	.20 [5]	1.24 [31]	.22 [6]	.07 [2]	35	1/4 UNF SLOTTED SET SCREW	#10	100	5/8
KLU70 KLU70TP	8 SOL .129 [3] DIA. TO 2 STR .292 [7] DIA. CU		.50 [13]	.47 [12]	.26 [7]	1.55 [39]	.25 [6]	.08 [2]	40	5/16 UNF SLOTTED SET SCREW	1/4	100	3/4
KLU125 KLU125TP	2 STR .292 [7] DIA. TO 1/0 STR .372 [9] DIA. CU	1	.61 [15]	.62 [16]	.26 [7]	1.98 [50]	.42 [11]	.11 [3]	50	3/8 UNF SLOTTED SET SCREW	1/4	25	15/16
KLU175 KLU175TP	4 STR .232 [6] DIA. TO 3/0 STR .470 [12] DIA. CU		.72 [18]	.75 [19]	.39 [10]	2.20 [56]	.43 [11]	.16 [4]	120	3/8 UNF SOCKET SET SCREW	3/8	12	1
KLU225 KLU225TP	2 STR .292 [4] DIA. TO 4/0 STR .528 [13] DIA. CU	1	.94 [24]	.99 [25]	.34 [9]	2.55 [65]	.51 [13]	.12 [3]	120	7/16 UNF SOCKET SET SCREW	5/16	12	1 5/16
KLU300 KLU300TP	1/0 STR .372 [9] DIA. TO 350 Kcmil .681 [17] DIA. CU		1.22 [31]	.99 [25]	.39 [10]	2.83 [72]	.52 [13]	.12 [3]	275	5/8 UNF SLOTTED SET SCREW	3/8	6	1 5/8
KLU400 KLU400TP	1/0 STR .372 [9] DIA. TO 500 Kcmil .813 [21] DIA. CU	1	1.42 [36]	1.50 [38]	.39 [10]	4.09 [104]	.91 [23]	.18 [5]	275	5/8 UNF SLOTTED SET SCREW	3/8	3	1 5/32
KLU650 KLU650TP	650 Kcmil .893 [23] DIA. TO 1000 Kcmil 1.152 [29] DIA. CU		1.85 [47]	1.97 [50]	.51 [13]	4.84 [123]	1.12 [28]	.22 [6]	375	3/4 UNF SOCKET SET SCREW	1/2	4	2

REV	DATE	DESCRIPTION	ECO	BY	C'H'K.
E	08/02/2012 11:33:00 AM	UPDATE EXISTING SALES DRAWING WITH NEW DIMENSIONS PER VENDOR AND ITEM RELEASE TO TABLE. (EDIT PART STAMPING)	28078	DD	MB



- NOTES:
- SUFFIX "TP" ON CATALOG NUMBER DENOTES TIN PLATE. EXAMPLE: KLU 400TP
 - MATERIAL: COPPER ALLOY.
 - DIMENSIONS IN BRACKETS [] ARE IN MILLIMETERS, ROUNDED OFF TO THE NEAREST MILLIMETER, UNLESS OTHERWISE NOTED. METRIC DIMENSIONS ARE FOR REFERENCE ONLY.

TO ORDER BURNDY® PRODUCTS CALL
 UNITED STATES
 1-800-346-4175 (LONDONDERRY, NH)
 CANADA:
 1-800-361-6975 (QUEBEC)
 1-800-387-6487 (ALL OTHER PROVINCES)
 FOR PRODUCT INFO: <http://www.burndy.com>

SCRULUG™ (OFFSET PAD TERM. LUG)	
ITEM NO:	--
CAT. NO:	KLU-- (TABLE)
DRAWN BY:	R SUDHAKAR 07/01/05
CHECKER:	M RZASA 07/01/05
DSN APPVL:	M RZASA 07/08/05
MFG APPVL:	P KEENAN 07/08/05
QA APPVL:	C ACKERMAN 07/25/05
MKT APPVL:	--
PROJ #:	--
SIZE:	D
SCALE:	1:2
DRAWING NO:	SD207469-01
REV:	E
SHEET:	1 OF 1

REV: PE0200