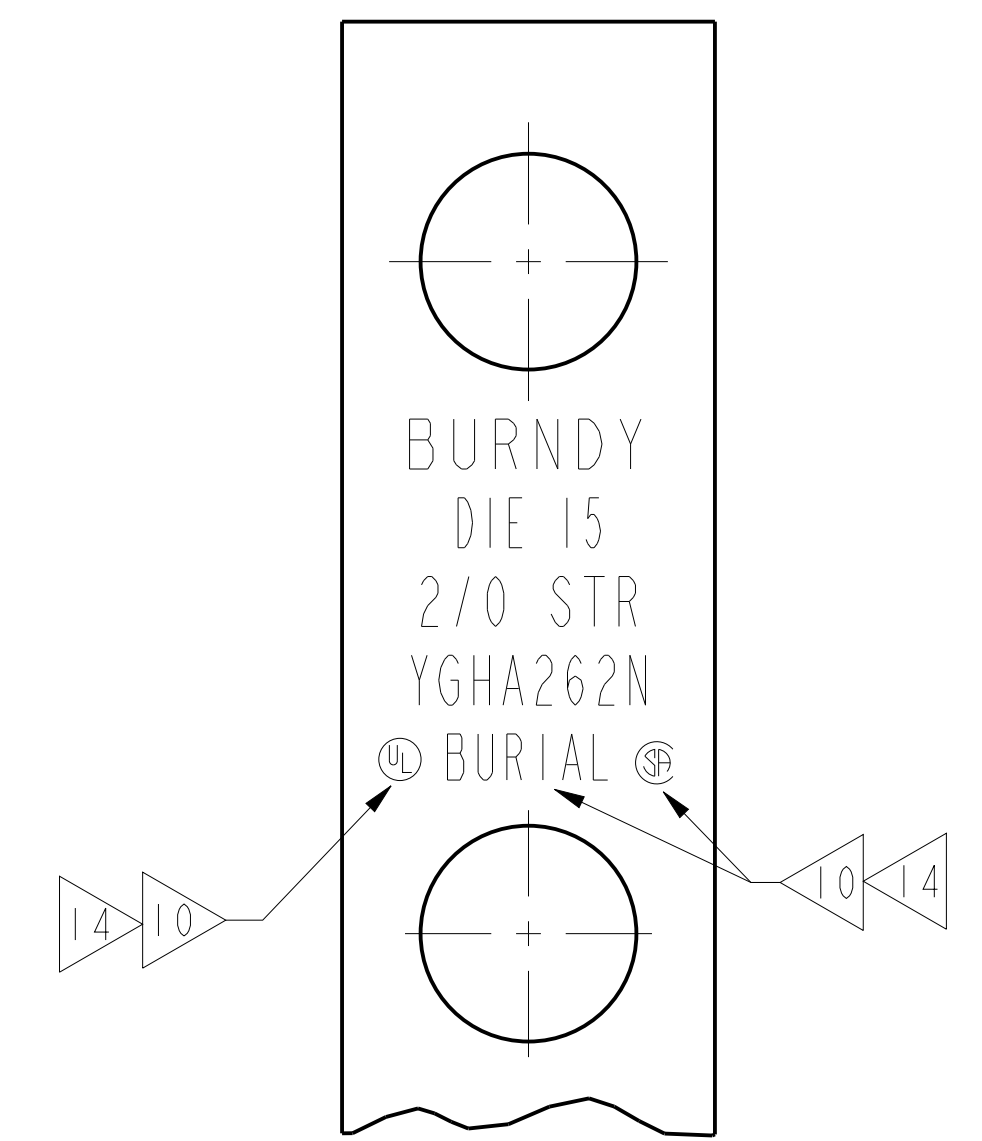


CATALOG NUMBER	COPPER CONDUCTOR		DIMENSIONS IN/mm					INSTALLATION DATA		
	SIZE	STR.	B MIN.	C	L	O.D.	T	DIE INDEX NO.	HYPRESS™ Y35/Y39/Y45/Y46/Y750 Y60BHU	NO. OF CRIMPS
YGHA2C2N	#2 (.292 DIA.) [35mm <sup>2</sup> (7.6mm DIA.)]	7	.75 [19]	.97 [25]	4.21 [107]	.50 [13]	.26 [7]	11	UICRT	1
YGHA252N	1/0 (.372 DIA.) [50mm <sup>2</sup> (9.4mm DIA.)]	7, 19	.83 [21]	.91 [23]	4.60 [117]	.63 [16]	.19 [5]	14	U27RT	1
YGHA262N	2/0 (.420 DIA.) [70mm <sup>2</sup> (10.9mm DIA.)]	7, 19, 37	.83 [21]	.97 [25]	4.38 [111]	.71 [18]	.26 [7]	15	U28RT	1
YGHA272N	3/0 (.470 DIA.) [70mm <sup>2</sup> (11.9mm DIA.)]	7, 19	1.18 [30]	1.08 [27]	4.94 [125]	.79 [20]	.29 [7]	16	U29RT	2
9 YGHA282N	4/0 (.528 DIA.)	7, 12, 19	1.18 [30]	1.22 [31]	4.94 [125]	.89 [23]	.30 [8]	17	U30RT	2
9 YGHA282NKK	[95mm <sup>2</sup> (12.5mm DIA.)]									
YGHA292N	250 kcmil (.575 DIA.) [120mm <sup>2</sup> (14.4mm DIA.)]	7, 19, 37	1.18 [30]	1.28 [32]	4.94 [125]	.95 [24]	.34 [9]	18	U31RT	2
YGHA302N	300 kcmil (.710 DIA.) [150mm <sup>2</sup> (18.0mm DIA.)]	12, 19, 37	1.18 [30]	1.42 [46]	5.00 [127]	1.05 [27]	.39 [10]	19	U32RT	2
YGHA312N	350 kcmil (.750 DIA.) [185mm <sup>2</sup> (17.8mm DIA.)]	12, 19, 37	1.18 [30]	1.62 [41]	5.00 [127]	1.17 [30]	.43 [11]	20	U34RT	2
YGHA322N	400 kcmil (.728 DIA.) -----	19, 37	1.41 [36]	1.67 [42]	5.30 [141]	1.24 [31]	.48 [12]	209	U209	3
YGHA342N	500 kcmil (.813 DIA.) [240mm <sup>2</sup> (20.4mm DIA.)]	19, 37	1.48 [38]	1.72 [44]	5.42 [138]	1.24 [32]	.40 [10]	22	U36RT	3
YGHA362N	600 kcmil (.893 DIA.) [300mm <sup>2</sup> (22.7mm DIA.)] 7/8 (19 NO.5) STRANDED COPPER WELD (.910 DIA.)	37, 61, 91	1.38 [35]	2.10 [53]	5.48 [139]	1.55 [39]	.58 [15]	576	L576	1
YGHA392N	750 kcmil (.998 DIA.) -----	37, 61	3.03 [77]	2.31 [59]	7.25 [184]	1.70 [43]	.64 [16]	627	L627	2

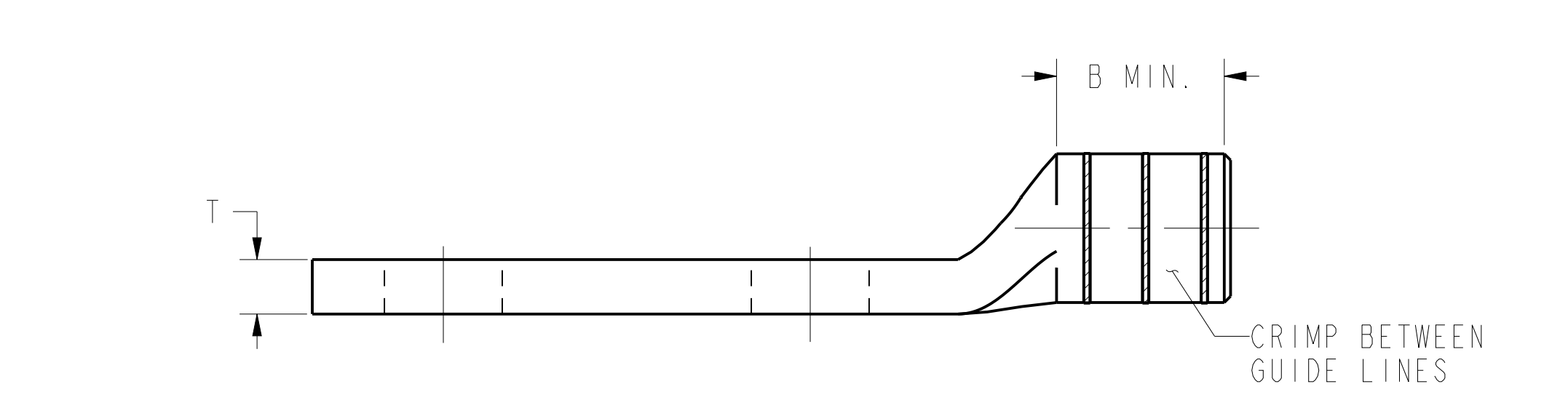
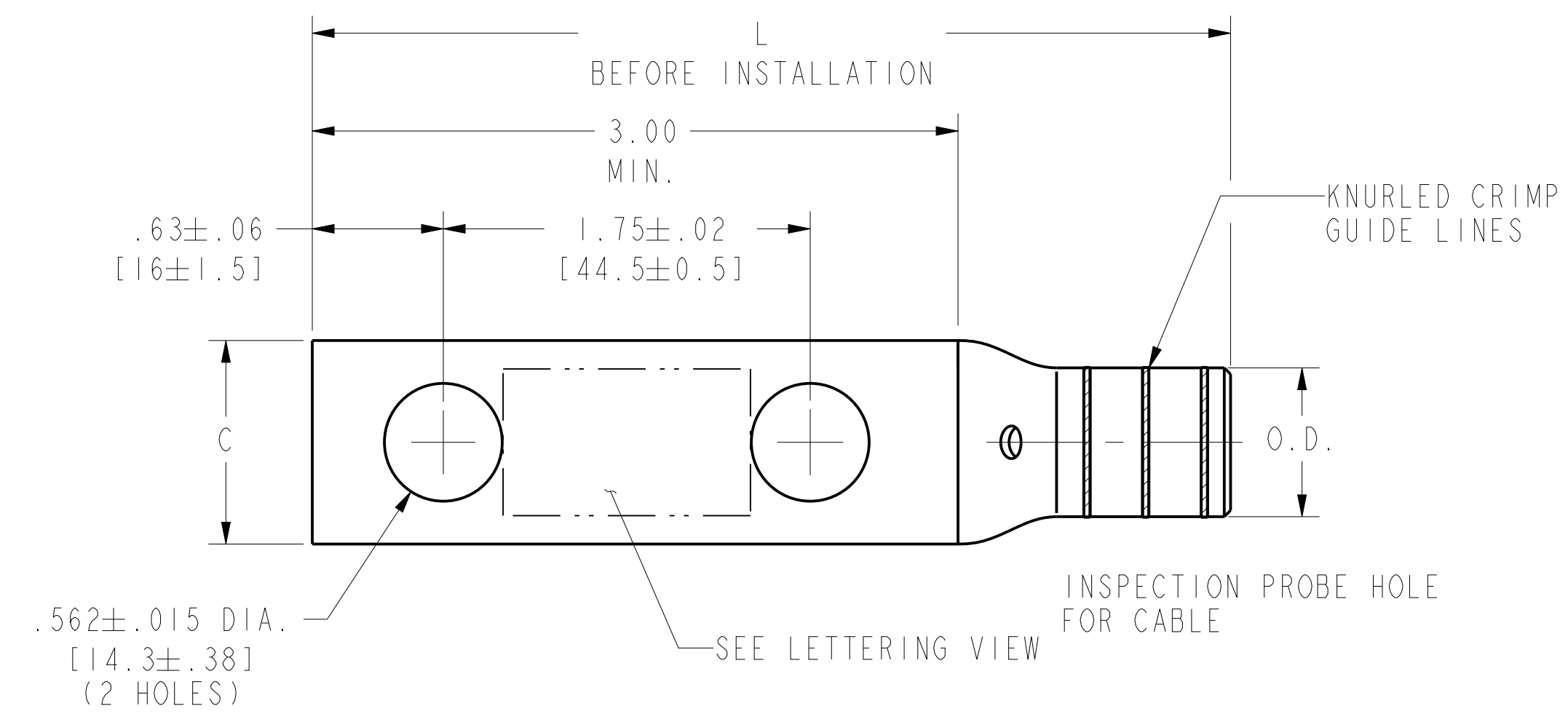
CATALOG NO.	TOLERANCE	
	C	L
YGHA2C2N	±.03 [±.8]	±.09 [±2.3]
YGHA252N THRU YGHA392N	±.08 [±2.0]	±.12 [±3.0]

REV	DATE	DESCRIPTION	ECO	BY	CHK.
H	01/05/2016 00:00:00 AM	UPDATED AS PER MARKUP	42526	RW	MB



TYPICAL LETTERING

- NOTES:
- MATERIAL: COPPER
  - BARREL IS PREFILLED WITH PENETROX™ "E" AND INDIVIDUALLY SEALED.
  - WHERE A "U" OR "PU" IS RECOMMENDED WITH THE Y45 HYPRESS™, A PT6515 ADAPTER MUST BE USED.
  - WHERE A "U" OR "PU" IS RECOMMENDED WITH THE Y46 HYPRESS™, A PUADP-1 ADAPTER MUST BE USED.
  - UL467 LISTED.
  - LISTED UNDER UL486A FOR COPPER WIRE CONNECTORS.
  - SUITABLE FOR DIRECT BURIAL IN EARTH OR CONCRETE.
  - DIMENSIONS IN BRACKETS [ ] ARE IN MILLIMETERS, ROUNDED OFF TO THE NEAREST MILLIMETER UNLESS OTHERWISE NOTED. METRIC DIMENSIONS ARE FOR REFERENCE ONLY.
  - THE FOLLOWING KITS CAN BE ORDERED:



- YGHA282NKIT1 (1) YGHA282N HYLUG™  
(1) 1/2 OZ TUBE OF PENETROX™ "A"  
(2) 1/2 X 1-3/4 LG SILICON BRONZE HEX BOLTS  
(2) 1/2 SILICON BRONZE HEX NUTS  
(4) 1/2 SILICON BRONZE FLAT WASHERS  
(2) 1/2 SILICON BRONZE SPLIT LOCKWASHERS
- YGHA282NKIT2 SAME AS THE YGHA282NKIT1 EXCEPT ALL HARDWARE IS STAINLESS STEEL.
- YGHA282NKIT3 SAME AS THE YGHA282NKIT1 EXCEPT IT CONTAINS (2) 1/2 STAINLESS STEEL BELLEVILLE WASHERS INSTEAD OF (2) 1/2 SILICON BRONZE SPLIT LOCKWASHERS. EACH KIT IS PACKAGED IN A POLYBAG.

- CATALOG NUMBERS YGHA362N & YGHA392N WILL NOT HAVE UL OR CSA LISTING, AND WILL NOT BE MARKED "BURIAL", BECAUSE IT FALLS OUTSIDE THE RANGE TESTED FOR UL/CSA APPROVAL.
- FOR TIN PLATED PARTS ADD SUFFIX "TN" TO THE CATALOG NUMBER.
- FOR TIN PLATED PARTS WITH NO PENETROX™ ADD SUFFIX "TNPN" TO THE CATALOG NUMBER.
- FOR UNDRILLED PARTS ADD SUFFIX "U" TO THE CATALOG NUMBER. UNDRILLED PARTS ARE NOT UL/CSA CERTIFIED.

- YGHA322N IS NOT UL/CSA CERTIFIED.
- FOR NICKEL PLATED PARTS ADD SUFFIX "NK" TO THE CATALOG NUMBER.

TO ORDER BURNDY® PRODUCTS CALL		HYLUG™ HEAVY DUTY, GROUND	
UNITED STATES 1-800-346-4175 (LONDONDERRY, NH)		ITEM NO: N/A	
CANADA: 1-800-361-6975 (QUEBEC) 1-800-387-6487 (ALL OTHER PROVINCES)		CAT. NO: YGHA-2N (TABLE)	
FOR PRODUCT INFO: <a href="http://www.burndy.com">http://www.burndy.com</a>		DRAWN BY: H.C. 11/17/78	
		CHECKER: H.C. 11/17/78	
		DSN APPVL: ESG 11/77/78	
		MFG APPVL: -- --	
		QA APPVL: A.LLOYD 8/18/92	
		MKT APPVL: T.NELSON 9/10/92	
		PROD FAM: CM&R COMPRESSION	
		DRAWING NO	
		PROJECT #: --	
		SIZE	
		DOCUMENT TYPE: Sales	
		REL LEVEL: In Work	
		SCALE: 1:1	
		SD082472-01	
		SHEET 1 OF 1	
		H	

REV: PEO200