

7

6

5

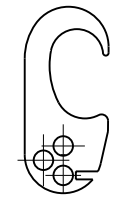
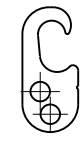
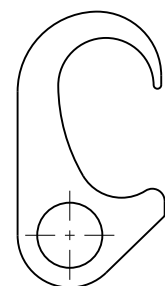
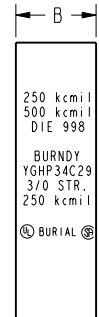
4

3

2

1

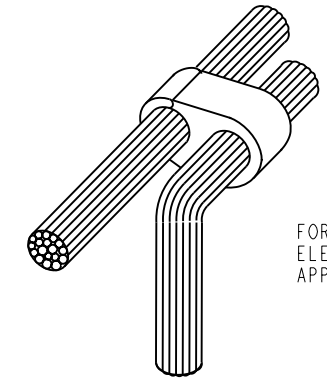
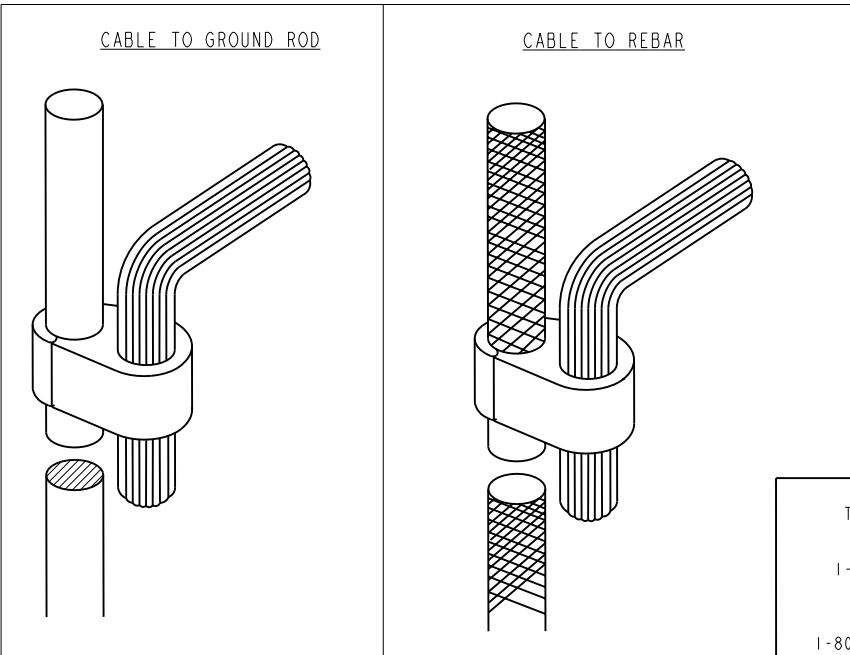
CATALOG NUMBER	FIG. NO.	COMMERCIAL COPPER CABLE RANGE		METRIC COPPER CABLE RANGE		CABLE TO REBAR		B	DIE INDEX NO.	INSTALLATION DATA			
		RUN	TAP	RUN	TAP	RUN	TAP			Y750/Y35 Y39 HYPRESS™	Y45 HYPRESS™	Y46 HYPRESS™	NO. OF CRIMPS
YGHP2C2	1	#6 SOL. (Ø.162)-#2 STR. (Ø.292)	#6 SOL. (Ø.162)-#2 STR. (Ø.292)	10mm² (4.1mm DIA) - 35mm² (7.6mm DIA)	10mm² (4.1mm DIA) - 35mm² (7.6mm DIA)	----	-----	.75 [19]	0	U0	U0	U0	1
YGHP2C6W6W	3		#8 SOL. (Ø.128)-6 STR. (Ø.184) QTY. 2	8mm² (3.3mm DIA) - 13mm² (4.8mm DIA) QTY. 2	8mm² (3.3mm DIA) - 13mm² (4.8mm DIA) QTY. 2	8mm² (3.3mm DIA) - 13mm² (4.8mm DIA) QTY. 2	----						
YGHP29C6W6W	2	1/0 STR. (Ø.372)-250 kcmil (Ø.575) 1/2"-5/8" ROD	#8 SOL. (Ø.128)-6 STR. (Ø.184) QTY. 2	50mm² (9.4mm DIA) - 120mm² (14.4mm DIA) [12.7 - 15.9 ROD]	8mm² (3.3mm DIA) - 13mm² (4.8mm DIA) QTY. 2	#3 REBAR 3/8	#8 SOL.-6 STR.						
YGHP29C6W6W6W	4		#8 SOL. (Ø.128)-6 STR. (Ø.184) QTY. 3		8mm² (3.3mm DIA) - 13mm² (4.8mm DIA) QTY. 3		#8 SOL.-6 STR.						
YGHP29C2	1		#4 SOL. (Ø.204)-#2 STR. (Ø.292)		20mm² (5.2mm DIA) - 35mm² (7.6mm DIA)		#2 STR.						
YGHP29C26	1		1/0 STR. (Ø.372)-2/0 STR. (Ø.419)		50mm² (9.4mm DIA) - 70mm² (10.9mm DIA)		1/0 STR.-2/0 STR.						
YGHP29C29	5	250 kcmil (Ø.575)-500 kcmil (Ø.813) 5/8"-3/4" ROD	3/0 STR. (Ø.470)-250 kcmil (Ø.575)	120mm² (14.4mm DIA) - 240mm² (20.4mm DIA) [15.9 - 19.1 ROD]	85mm² (11.9mm DIA) - 120mm² (14.4mm DIA)	#4 REBAR 1/2	3/0 STR.-250 kcmil						
YGHP34C2	1		#4 SOL. (Ø.204)-#2 STR. (Ø.292)		20mm² (5.2mm DIA) - 35mm² (7.6mm DIA)		-----						
YGHP34C26	1		1/0 STR. (Ø.372)-2/0 STR. (Ø.419)		50mm² (9.4mm DIA) - 70mm² (10.9mm DIA)		1/0 STR.-2/0 STR.						
YGHP34C29	1		3/0 STR. (Ø.470)-250 kcmil (Ø.575)		85mm² (11.9mm DIA) - 120mm² (14.4mm DIA)		3/0 STR.-250 kcmil						
YGHP34C34	1	350 kcmil (Ø.681)-500 kcmil (Ø.813)	350 kcmil (Ø.681)-500 kcmil (Ø.813)	185mm² (17.5mm DIA) - 240mm² (20.4mm DIA)	185mm² (17.5mm DIA) - 240mm² (20.4mm DIA)	#6 REBAR 3/4	350 kcmil-500 kcmil	1.10 [28]	1011	U1011	S1011	PI011	3



PRECRIMP DIE CHART		
GROUND ROD DIA.	PRECRIMP DIES	
1/2" [12.7]	UPRECRIMP 12	U2CABT
5/8" [15.9]	UPRECRIMP 58	
3/4" [19.1]	UPRECRIMP 34	

FOR INCREASED ROTATIONAL RESISTANCE ON GROUND RODS, PRE-CRIMP GROUND ROD WITH U2CABT DIE INDEX 348 OR UPRECRIMP DIES MAY BE USED FOR EVEN GREATER ROTATION AND VIBRATION RESISTANCE ON GROUND RODS.

- NOTES:
- MATERIAL: COPPER
 - GROOVES ARE PREFILLED WITH PENETROX® "E" AND INDIVIDUALLY SEALED.
 - ALL DIMENSIONS IN BRACKETS [] ARE IN MILLIMETERS.
 - WHEN USING #6 SOL. IN TAP, FOLD CONDUCTOR DOUBLE TO IMPROVE FILL IN YGHP2C2.
 - FOR YGHP29C29 WHEN USING 3/0 IN TAP, MINIMUM RUN CONDUCTOR IS 2/0 STR.
 - WHERE A "U" OR "PU" DIE IS RECOMMENDED WITH THE Y45 HYPRESS™, A PT6515 ADAPTER MUST BE USED.
 - WHERE A "U" OR "PU" DIE IS RECOMMENDED WITH THE Y46 HYPRESS™, A P-UADP-1 ADAPTER MUST BE USED.
 - CLEAN RUST AND PROTECTIVE COATINGS FROM REBAR BEFORE CONNECTOR INSTALLATION TO PROVIDE A PROPER GROUND CONNECTION. PRECRIMPING IS NOT REQUIRED.
 - THESE CONNECTORS CAN ONLY BE INSTALLED USING THE Y750, Y45 OR Y46 HYPRESS™ WITH THE RECOMMENDED DIES. THESE CONNECTORS CAN NOT BE INSTALLED WITH THE Y35 AND Y39 HYPRESS™.
 - SUITABLE FOR DIRECT BURIAL IN EARTH OR CONCRETE.
 - UL467 LISTED AND UNDER UL486A FOR COPPER WIRE CONNECTORS.
 - THIS CONNECTOR IS NOT UL LISTED
 - TN CATALOG NUMBER INDICATES THAT CONNECTOR IS ELECTRO-TIN PLATED. GROOVES ARE FILLED WITH PENETROX® GIZA.
 - THESE CATALOG NOS. ARE LISTED TO CSA22.2 NO.41 GROUNDING AND BONDING EQUIPMENTS STANDARDS.



REFERENCE: SC086166

TO ORDER BURNDY® PRODUCTS CALL		CONNECTOR, COMPRESSION GROUND TAP	
UNITED STATES 1-800-346-4175 (LONDONDERRY, NH)		ITEM NO: N/A	CAT. NO: YGHP-C- (TABLE)
CANADA: 1-800-361-6975 (QUEBEC) 1-800-387-6487 (ALL OTHER PROVINCES)		DRAWN BY: C.RACANO 11/01/78	CHECKER: CAR 11/01/78
FOR PRODUCT INFO: http://www.burndy.com		DSN APPVL: G.PECORA 09/08/92	MFG APPVL: N/A
		QA APPVL: A.LLOYD 09/01/92	MKT APPVL: T.NELSON 09/10/92
		PROJ #:	SCALE: 1:4
		PROJ #:	SIZE
		DOCUMENT TYPE: Sales	SD082473-01
		REL LEVEL: Released	SHEET 1 OF 1

REV	DATE	DESCRIPTION	ECO	BY	C'H'K.
C	05/14/2015 00:00:00 AM	CSA NOTE # 14 ADDED	40263	RG	BT

REV: PE0200

8

7

6

5

4

3

2

1