

DRAWING NO.  
SD060605

7

6

5

4

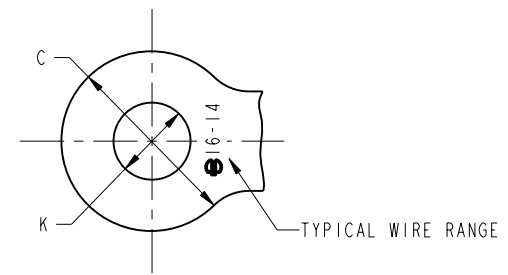
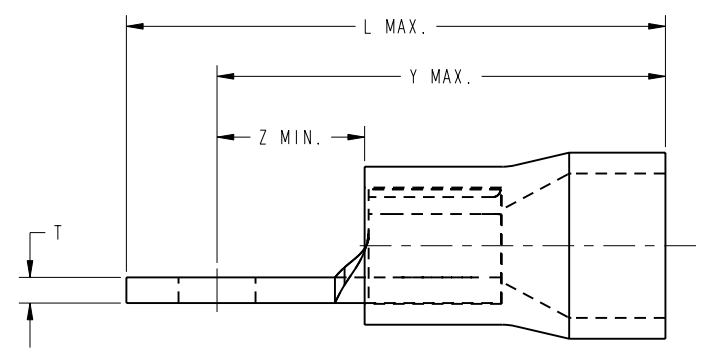
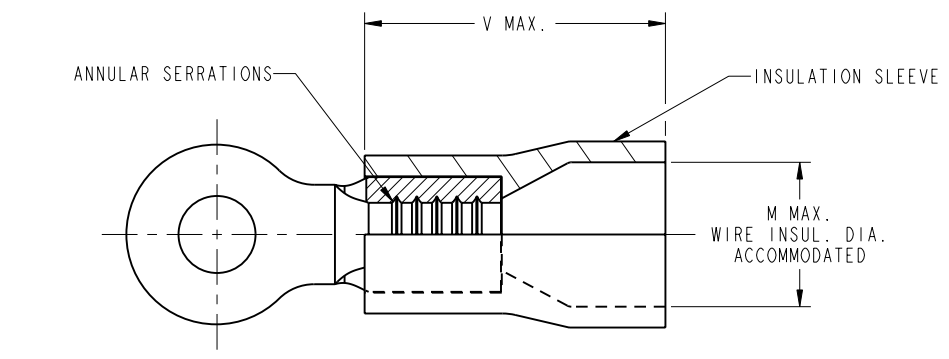
3

2

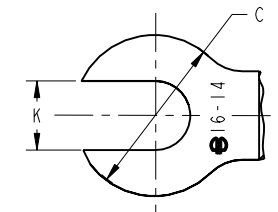
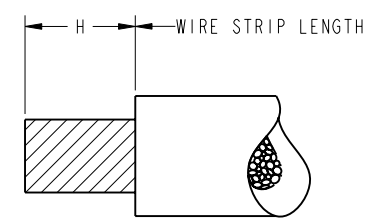
1

REV	DATE	DESCRIPTION	ECO	BY	C'H'K.
E	01/19/2015 05:00:00 AM	CATALOG TYPE#44 ADDS	38929	RG	BSB

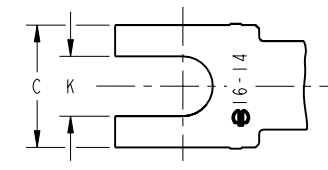
ACCOMMODATES	
TERMINALS	CONDUCTOR
TP10_, BA10E_	#12-10 AWG STRANDED WIRE
TP14_, BA14E_	#14 & 16 AWG SOLID & STRANDED WIRE
TP16_, BA16E_	#20-22 AWG SOLID & STR. WIRE #16-18 AWG SOLID & STR WIRE



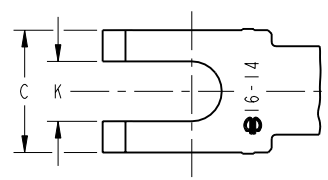
RING  
BA\_\_E\_\_, TP\_\_  
FIG. 1



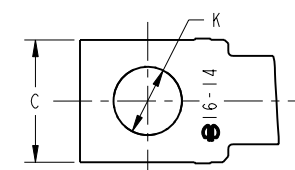
SLOTTED RING  
BA\_\_EC\_  
FIG. 2



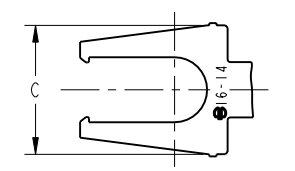
FORK  
BA\_\_EF\_\_, TP\_\_F  
FIG. 3



FLANGED FORK  
BA\_\_EZ\_\_, TP\_\_Z  
FIG. 4



RECTANGULAR  
BA\_\_ES\_  
FIG. 5



FORK-LOK  
BA\_\_EL\_\_, TP\_\_LF  
FIG. 6

- NOTES:
- THIS DRAWING TO BE INTERPRETED PER ASME Y14.5M - 1994.
  - BREAK ALL SHARP EDGES UNLESS OTHERWISE SPECIFIED.
  - MATERIAL:  
TERMINAL: COPPER  
INSULATION: POLYVINYL CHLORIDE
  - FINISH:  
TERMINAL: TIN PLATE.
  - ANY CHANGE TO THIS DWG. WILL AFFECT SKMD19561, METRIC EQUIVALENT DWG.
  - UL LISTED.
  - CSA CERTIFIED.
  - WIRE CONNECTION:  
600V. (1000V. IN SIGNS AND FIXTURES) 105°

REFERENCE: FD073827 BA.E\_ VINYLUG, PK662  
SUPERSEDES: SC073939-06

<p>TO ORDER BURNDY® PRODUCTS CALL</p> <p>UNITED STATES 1-800-346-4175 (LONDONDERRY, NH)</p> <p>CANADA: 1-800-361-6975 (QUEBEC) 1-800-387-6487 (ALL OTHER PROVINCES)</p> <p>FOR PRODUCT INFO: <a href="http://www.burndy.com">http://www.burndy.com</a></p>	VINYLUG	
	ITEM NO: --	SCALE: 9:000
	CAT. NO: BA__E__, TP__ (SEE TABLE)	
	DRAWN BY: R.TOM 02/16/66	
	CHECKER: S.F.P. 09/19/66	
DSN APPVL: W.B. 01/12/67		
MFG APPVL: -- --		
QA APPVL: -- --	PROJ. NO: --	SIZE: D
MKT APPVL: -- --	PROJ. NO: --	SIZE: D
PROJ. NO: --	PROJ. NO: --	SIZE: D
DOCUMENT TYPE: Sales	PROJ. NO: --	SIZE: D
REL LEVEL: Released	PROJ. NO: --	SIZE: D

REV: PE0200

8

7

6

5

4

3

2

1

DRAWING NO.  
SD060605

REV DATE DESCRIPTION ECO BY C'H'K.  
E 01/19/2015 05:00:00 AM CATALOG # TP1614F AR00 38929 RG BSB

STUD SIZE	CATALOG NUMBER	BULK CATALOG NUMBER	C		K		Y MAX.	Z MIN.	L MAX.	T	V MAX.	M MAX. WIRE INSUL. DIA. ACCOM.	H	COLOR CODE	FIG.
			MAX.	MIN.	MAX.	MIN.									
2	TP162	BA16E2	.226	.210	.098	.088	.61	.17	.71	.032	.41	.145	1/4"	RED	1
4	TP164	BA16E4	.226	.210	.124	.114	.61	.17	.71						
6	TP166	BA16E6	.258	.242	.150	.140	.62	.18	.74						
8	TP168	BA16E8	.320	.304	.176	.166	.70	.26	.85						
10	TP1610	BA16E10	.320	.304	.202	.192	.70	.26	.85						
1/4	TP1614	BA16E14	.408	.392	.275	.255	.79	.36	.99						
5/16	TP16516	BA16E516	.539	.523	.338	.318	.88	.45	1.15						
3/8	TP1638	BA16E38	.539	.523	.400	.380	.88	.45	1.15						
2	TP142	BA14E2	.226	.210	.098	.088	.61	.17	.71	.032	.41	.180	1/4"	BLUE	1
4	TP144	BA14E4	.226	.210	.124	.114	.61	.17	.71						
6	TP146	BA14E6	.258	.242	.150	.140	.62	.18	.74						
8	TP148	BA14E8	.320	.304	.176	.166	.70	.26	.85						
10	TP1410	BA14E10	.320	.304	.202	.192	.70	.26	.85						
1/4	TP1414	BA14E14	.408	.392	.275	.265	.79	.36	.99						
5/16	TP14516	BA14E516	.539	.523	.338	.318	.88	.45	1.15						
3/8	TP1438	BA14E38	.539	.523	.400	.380	.88	.45	1.15						
4	TP104	BA10E4	.320	.304	.124	.114	.75	.20	.91	.040	.53	.260	11/32"	YELLOW	1
6	TP106	BA10E6	.320	.304	.150	.140	.75	.20	.91						
8	TP108	BA10E8	.366	.350	.176	.166	.81	.26	1.00						
10	TP1010	BA10E10	.366	.350	.202	.192	.81	.26	1.00						
1/4	TP1014	BA10E14	.539	.523	.275	.265	.95	.40	1.22						
5/16	TP10516	BA10E516	.539	.523	.338	.318	.95	.40	1.22						
3/8	TP1038	BA10E38	.539	.523	.400	.380	1.00	.45	1.27						
1/2	TP1012	BA10E12	.726	.710	.535	.515	1.15	.61	1.52						
10	-	BA10E10T1	.320	.304	.202	.192	.75	.20	.91						
2	-	BA16EC2	.226	.210	.098	.088	.61	.17	.70	.032	.41	.145	1/4"	RED	2
4	-	BA16EC4	.226	.210	.124	.114	.61	.17	.70						
6	-	BA16EC6	.258	.242	.150	.140	.62	.18	.72						
8	-	BA16EC8	.320	.304	.176	.166	.70	.26	.83						
10	-	BA16EC10	.320	.304	.202	.192	.69	.26	.81						
1/4	-	BA16EC14	.408	.392	.275	.255	.79	.36	.94						
5/16	-	BA16EC516	.539	.523	.338	.318	.88	.45	1.09						
3/8	-	BA16EC38	.539	.523	.400	.380	.88	.45	1.06						
2	-	BA14EC2	.226	.210	.098	.088	.61	.17	.70	.032	.41	.180	1/4"	BLUE	2
4	-	BA14EC4	.226	.210	.124	.114	.61	.17	.70						
6	-	BA14EC6	.258	.242	.150	.140	.62	.18	.72						
8	-	BA14EC8	.320	.304	.176	.166	.70	.26	.83						
10	-	BA14EC10	.320	.304	.202	.192	.69	.26	.81						
1/4	-	BA14EC14	.408	.392	.275	.265	.79	.36	.94						
5/16	-	BA14EC516	.539	.523	.338	.318	.88	.45	1.09						
3/8	-	BA14EC38	.539	.523	.400	.380	.88	.45	1.06						
4	-	BA10EC4	.320	.304	.124	.114	.75	.20	.89	.040	.53	.260	11/32"	YELLOW	2
6	-	BA10EC6	.320	.304	.150	.140	.75	.20	.88						
8	-	BA10EC8	.366	.350	.176	.166	.81	.26	.97						
10	-	BA10EC10	.366	.350	.202	.192	.81	.26	.97						
1/4	-	BA10EC14	.539	.523	.275	.265	.95	.40	1.18						
5/16	-	BA10EC516	.539	.523	.338	.318	.95	.40	1.16						
3/8	-	BA10EC38	.539	.523	.400	.380	1.00	.45	1.18						
1/2	-	BA10EC12	.726	.710	.535	.515	1.15	.061	1.50						

STUD SIZE	CATALOG NUMBER	BULK CATALOG NUMBER	C		K		Y MAX.	Z MIN.	L MAX.	T	V MAX.	M MAX. WIRE INSUL. DIA. ACCOM.	H	COLOR CODE	FIG.
			MAX.	MIN.	MAX.	MIN.									
2	TP162F	BA16EF2	.178	.166	.098	.088	.66	.23	.75	.032	.41	.145	1/4"	RED	3
6	TP166F	BA16EF6	.287	.275	.150	.140	.66	.23	.80						
8	TP168F	BA16EF8	.318	.306	.176	.166	.69	.26	.86						
10	TP1610F	BA16EF10	.412	.400	.202	.192	.75	.31	.95						
10	-	BA16EF10T1	.365	.353	.202	.192	.75	.31	.93						
2	TP142F	BA14EF2	.178	.166	.098	.088	.66	.23	.75	.032	.41	.180	1/4"	BLUE	3
6	TP146F	BA14EF6	.287	.275	.150	.140	.66	.23	.80						
8	TP148F	BA14EF8	.318	.306	.176	.166	.69	.26	.86						
10	TP1410F	BA14EF10	.412	.400	.202	.192	.75	.31	.95						
10	-	BA14EF10T1	.365	.353	.202	.192	.75	.31	.93						
6	TP106F	BA10EF6	.287	.275	.150	.140	.81	.26	.95	.040	.53	.260	11/32"	YELLOW	3
8	TP108F	BA10EF8	.318	.306	.176	.166	.81	.26	.98						
10	TP1010F	BA10EF10	.412	.400	.202	.192	.87	.31	1.07						
10	-	BA10EF10T1	.365	.353	.202	.192	.87	.31	1.05						
1/4	TP1014F	-	.475	.460	.265	.255	-	.46	1.269						
2	TP162Z	BA16EZ2	.178	.166	.098	.088	.66	.23	.78	.032	.41	.145	1/4"	RED	4
6	TP166Z	BA16EZ6	.287	.275	.150	.140	.66	.23	.83						
8	TP168Z	BA16EZ8	.318	.306	.176	.166	.69	.26	.88						
10	TP1610Z	BA16EZ10	.412	.400	.202	.192	.75	.31	.96						
10	-	BA16EZ10T1	.365	.353	.202	.192	.75	.31	.96						

REV: PE0200

TO ORDER BURNDY® PRODUCTS CALL  
 UNITED STATES  
 1-800-346-4175 (LONDONDERRY, NH)  
 CANADA:  
 1-800-361-6975 (QUEBEC)  
 1-800-387-6487 (ALL OTHER PROVINCES)  
 FOR PRODUCT INFO: <http://www.burndy.com>

VINYLUG	
ITEM NO: --	
CAT. NO: BA_E_, TP_ (SEE TABLE)	
DRAWN BY: R.TOM 02/16/66	
CHECKER: S.F.P. 09/19/66	
DSN APPVL: W.B. 01/12/67	
MFG APPVL: --	
QA APPVL: --	
MKT APPVL: --	
PROD FAM: CM&R COMPRESSION	DRAWING NO
PROJECT #: --	SD060605
DOCUMENT TYPE: Sales	SHEET 2 OF 3
REL LEVEL: Released	

**BURNDY**

SCALE: NTS

8

7

6

5

4

3

2

1

A

B

C

D

