

DRAWING NO.
SD088266-01

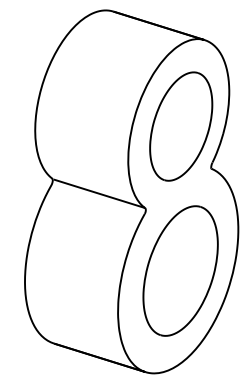
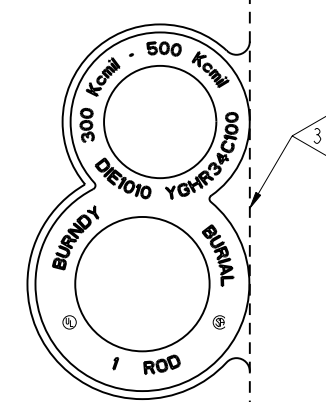
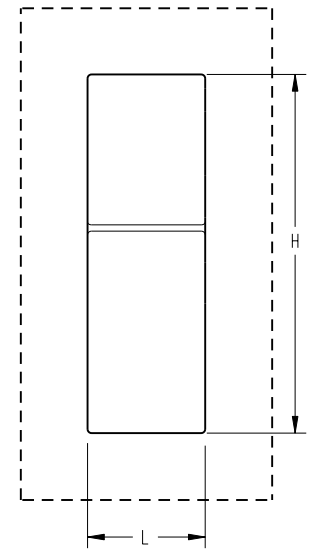
CATALOG NUMBER	COMMERCIAL COPPER CABLE RANGE	METRIC COPPER CABLE RANGE	NOMINAL GROUND ROD DIA.	H	L	INSTALLATION TOOLS, DIES SET CAT. NO (NUMBER OF CRIMPS)			
						Y35, Y39 HYPRESS™	Y750 HYPRESS™	Y45 HYPRESS™	Y46 HYPRESS™
YGHR26C12	#2 STR (.292 DIA) THRU 2/0 STR (.419 DIA)	35mm² (7.6mm DIA) THRU 70mm² (10.9mm DIA)	1/2" [12.7]	1.94 [49.3]	.88 [22.4]	PU998 (1) U1011	Y45 HYPRESS™	S1012 (2) OR PU998 (1)	Y46 HYPRESS™
YGHR26C58			5/8" [15.9]	1.97 [50]					
YGHR26C34			3/4" [19]	2.19 [55.6]					
YGHR26C100			1" [25.4]	2.55 [56.2]					
YGHR29C12	4/0 STR (.528 DIA) THRU 250 Kcmil (.575 DIA)	120mm² (14.4mm DIA)	1/2" [12.7]	1.94 [49.3]	.88 [22.4]	PU998 (1) U1011	Y45 HYPRESS™	S1012 (2) OR PU998 (1)	Y46 HYPRESS™
YGHR29C58			5/8" [15.9]	2.14 [54.4]					
YGHR29C34			3/4" [19]	2.19 [55.6]					
YGHR29C100			1" [25.4]	2.45 [62.2]					
YGHR34C58	300 Kcmil (.630 DIA) THRU 500 Kcmil (.813 DIA)	150mm² (16.0mm DIA) THRU 240mm² (20.4mm DIA)	5/8" [15.9]	2.14 [54.4]	.88 [22.4]	-----	Y45 HYPRESS™	S1012 (2) OR PU998 (1)	Y46 HYPRESS™
YGHR34C34			3/4" [19]	2.44 [62]					
YGHR34C100			1" [25.4]	2.70 [68.6]					

REV	DATE	DESCRIPTION	ECO	BY	C'H'K.
C	09/10/2011 00:00:00 AM	CHANGED AS PER MARKUP	25517	MB	MA

PRECRIMP DIE CHART

GROUND ROD DIA.	PRECRIMP DIES
1/2" [12.7]	UPRECRIMP 12
5/8" [15.8]	UPRECRIMP 58
3/4" [19.1]	UPRECRIMP 34

- NOTES:
- GROOVES ARE FILLED WITH PENETROX™.
 - SUITABLE FOR DIRECT BURIAL IN EARTH OR CONCRETE.
 - CONNECTORS ARE INDIVIDUALLY SEALED IN CLEAR POLYETHYLENE SHEET.
 - THE CATALOG NUMBERS SHOWN ARE FOR UN PLATED COPPER CONNECTORS FOR USE ON COPPER CLAD OR STAINLESS STEEL GROUND ROD. TO ORDER ELECTRO-TIN PLATED CONNECTORS FOR USE ON GALVANIZED STEEL GROUND ROD AND SUFFIX "TN" TO THE CATALOG NUMBER.
NOTE: THE GROUND ROD HOLE DIAMETER IS LARGER FOR GALVANIZED STEEL GROUND ROD IN THE TIN PLATED CONNECTOR.
 - GROUND ROD MUST BE PRE-CRIMPED WITH DIE U2CABT (INDEX NO.348) WHEN THE PU998 DIES ARE USED IN THE Y750, Y35, Y39, Y45 OR Y46 TOOLS. PRE-CRIMPING IS NOT REQUIRED WHEN THE P1011, S1011, S1012 OR U1011 DIES ARE USED. SEE PRECRIMP DIE CHART.
 - WHERE A PU998 DIE IS RECOMMENDED WITH THE Y45 HYPRESS™, A PT6515 ADAPTER MUST BE USED.
 - WHERE A PU998 DIE IS RECOMMENDED WITH THE Y46 HYPRESS™, A P-UADP ADAPTER MUST BE USED.
 - DIE NUMBERS 998 AND 1012 DO NOT APPEAR ON THE CONNECTOR. ONLY DIE 1011 APPEARS ON CONNECTOR.
 - DIMENSIONS IN BRACKET [] ARE IN MILLIMETERS.
 - FOR INCREASED ROTATIONAL RESISTANCE ON GROUND RODS, PRE-CRIMP GROUND ROD WITH U2CABT DIE INDEX 348 OR UPRECRIMP DIES MAY BE USED FOR EVEN GREATER ROTATION AND VIBRATION RESISTANCE ON GROUND RODS.
 - CSA CERTIFIED TO C22.2 NO. 41 (GROUNDING AND BONDING) FOR CONDUCTOR TO GROUND ROD APPLICATIONS.
 - UL LISTED TO UL467 (GROUNDING AND BONDING) FOR CONDUCTOR TO GROUND ROD APPLICATIONS.



TYPICAL LETTERING

MATERIAL: COPPER

TO ORDER BURNDY® PRODUCTS CALL		GROUND ROD CONNECTOR	
UNITED STATES 1-800-346-4175 (LONDONDERRY, NH)		ITEM NO: N/A	CAT. NO: YGHR--C-- (TABLE)
CANADA: 1-800-361-6975 (QUEBEC) 1-800-387-6487 (ALL OTHER PROVINCES)		DRAWN BY: H.C. 01/06/84	CHECKER: CAR 01/12/84
FOR PRODUCT INFO: http://www.burndy.com		DSN APPVL: ESL 06/25/84	MFG APPVL: -- --
		QA APPVL: -- --	MKT APPVL: -- --
		PROJ #:	SIZE: D
		PROJECT #:	SCALE: 1:1
		DOCUMENT TYPE: Sales	DRAWING NO: SD088266-01
		REL LEVEL: Released	SHEET 1 OF 1

REV: PE0200