

C-FL-A-RDM/RDW Series

Premium LED Directional Floodlight - Small

Replaces 100W PSMH/70W MH



VERSATILE, COMPACT & BRIGHT!

Premium LED Compact Floodlights small enough to hide in landscaping and bright enough (up to 3800 lumens) to use for uplighting. These fixtures mirror the traditional form factor of HID Floods, while using up to 75% less energy.



Wide



Medium

PRODUCT SPECIFICATIONS

OVERVIEW

- Initial Delivered Lumens: 3,200 - 3,800 Lumens
- CRI: ≥ 70
- CCT: Neutral White (4000K), Cool White (5000K)
- Input Power: 35 Watts
- Dimmable: No
- Distribution: 43° Beam Spread, 93° Beam Spread
- Operating Minimum: 40°C (-40°F)
- Lifespan: Estimated >100,000 Hours
- Power Factor: > 0.9
- Total Harmonic Distortion: < 20%
- Limited Warranty: 5 Years*
- Replaces 100W PSMH/70W MH

EFFICIENT	DURABLE	RECOMMENDED USE	INPUT VOLTAGE
<ul style="list-style-type: none"> • Replaces 100W PSMH/70W MH while using 25% less energy 	<ul style="list-style-type: none"> • Sturdy, die-cast aluminum housing • Tempered glass lens withstands shock and impact 	<ul style="list-style-type: none"> • Building facades • Security • Architectural Landscaping • Highlighting Signs & Displays 	<ul style="list-style-type: none"> • Universal (120V through 277V Operation)

ORDERING INFORMATION

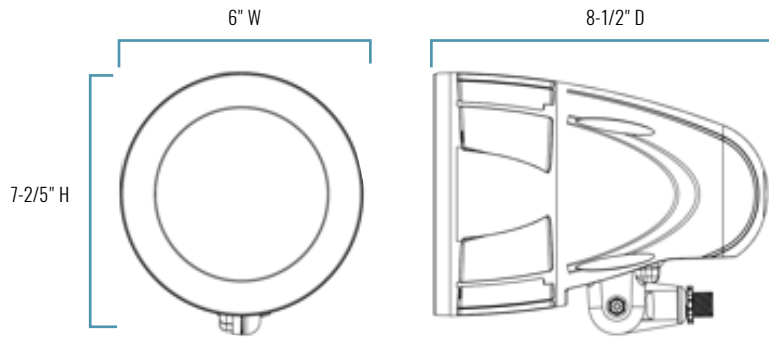
Example: C-FL-A-RDM-3L-40K-DB

C-FL-A				DB
PRODUCT	STYLE	LUMEN PACKAGE	CCT	COLOR
C-FL-A	RDM Directional Medium, 43° Beam Spread RDW Directional Wide, 93° Beam Spread	3L 3,200 Lumens, RDW, 40K 3,400 Lumens, RDW, 50K 3,500 Lumens, RDM, 40K 35W 4L 3,800 Lumens, RDM, 50K, 35W	40K Neutral White (4000K) 50K Cool White (5000K)	DB Dark Bronze

CERTIFICATIONS:



C-FL-A-RDW/RDM Series



SERIES OVERVIEW

DIMENSIONS	PRODUCT WEIGHT	MOUNTING HEIGHT	SPACING
8-1/2" D x 6" W x 7-2/5" H	4.45 lbs.	N/A	N/A

FIXTURE SPECIFICATIONS

HOUSING	Low-copper, die-cast aluminum housing and lens frame Dark bronze or white polyester powder-coat finish
LENS ASSEMBLY	Tempered glass lens is thermal, shock and impact resistant
MOUNTING	1/2" NPS aluminum die-cast swivel fitter attaches to standard junction box

ELECTRICAL PERFORMANCE

OPERATING MINIMUM	LIFESPAN L ₇₀ AT 25°C (77°F)	POWER FACTOR	TOTAL HARMONIC DISTORTION	DIMMABLE
-40°C (-40°F)	Estimated >100,000 Hours	> 0.9	< 20%	No
INPUT VOLTAGE	120V	208V	240V	277V
CURRENT DRAW (Amps)	0.29A	0.17A	0.15A	0.13A

WARRANTY AND CERTIFICATIONS

WARRANTY	UL LISTED	DLC
5 Year Limited*	Wet Locations	DLC Qualified

© 2017 Cree, Inc. and/or one of its subsidiaries. All rights reserved. For informational purposes only. Content is subject to change. Patent www.cree.com/patents. C-LITE™ and the C-LITE logo are trademarks of Cree, Inc. The UL logo is a registered trademark of UL LLC. The DLC QPL logo is a registered trademark of Northeast Energy Efficiency Partnerships, Inc.

US: c-lite.com T (800) 236-6800 F (262) 504-5415 Canada: www.cree.com/canada T (800) 473-1234 F (800) 890-7507
Rev. Date: V2 11/28/2017 For informational purposes only. Content is subject to change. *See lighting.cree.com/warranty for details

C-LITE
LED LIGHTING BY CREE