


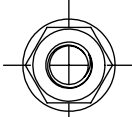
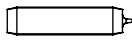


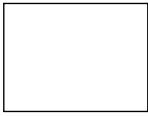
- 

SIDE PANELS
#10 AWG JUMPER - 6" LONG
QTY: 2
- 

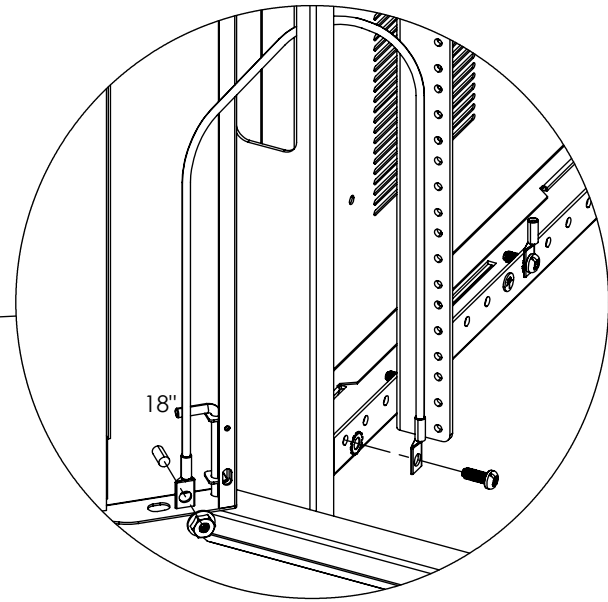
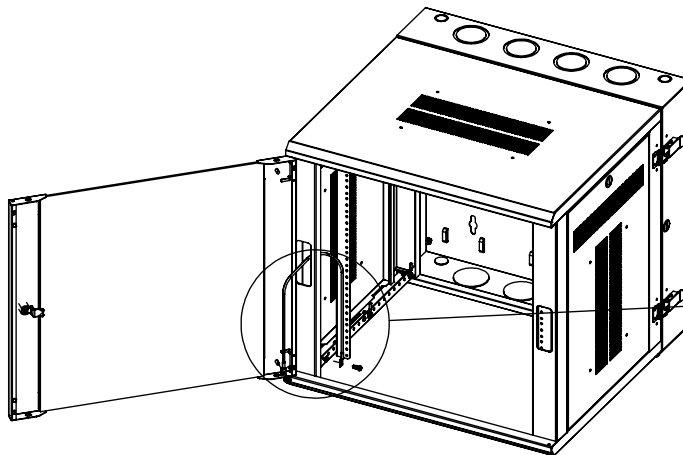
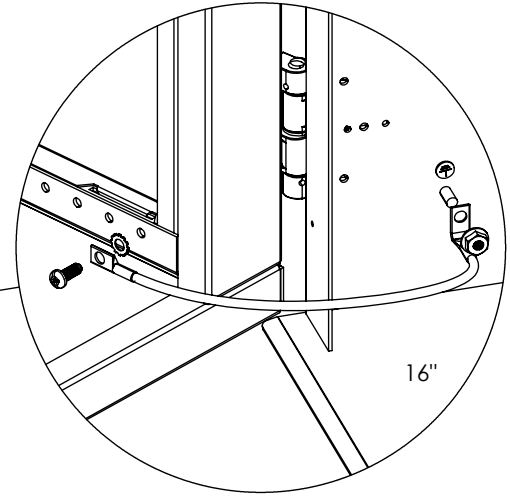
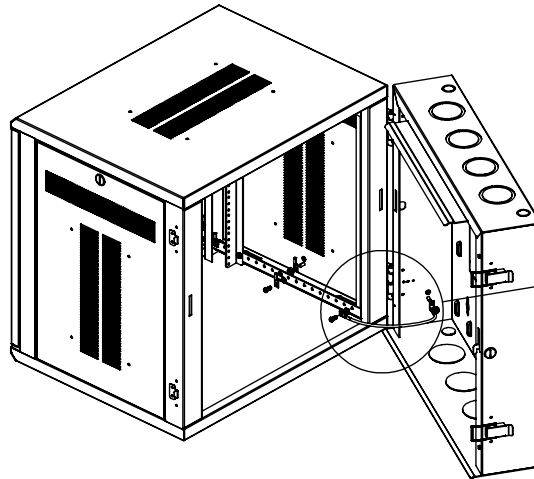
DOOR
#10 AWG JUMPER - 18" LONG
QTY: 1
- 

REAR SECTION
#10 AWG JUMPER - 16" LONG
QTY: 1
- 

M6 BONDING NUT
QTY: 6
- 

ANTI-OX
QTY: 1
- 

CLEANING PAD
QTY: 1



NOTE: DOOR AND REAR SECTION JUMPERS CAN BE INSTALLED ON THE OPPOSITE SIDE IF HINGE DIRECTION IS REVERSED

NOTE: M6 SCREWS (INCLUDED WITH CABINET) ARE THREAD FORMING. CAN BE PLACED ON ANY UNTAPPED HOLES IN MIDDLE SECTION

NOTE: CLEANING PAD AND ANTI-OXIDANT IS OPTIONAL. CAN BE USED TO CREATE BETTER CONTACT BETWEEN SCREWS AND SHEET METAL

NOTE: EXTRA M6 NUTS PROVIDED FOR BONDING REAR SECTION TO THE EARTH WITH ADDITIONAL JUMPER (NOT PROVIDED)

