

# PanZone® Wall Mount Cabinet

# PANDUIT®

SPECIFICATION SHEET

## specifications

Hinged wall mount cabinet shall be constructed from steel and capable of managing 12 rack units of active and passive networking equipment. The cabinet shall have hinged doors on front and back for complete access to networking equipment. The cabinet shall have removable and locking side panels. Cabinet shall allow use of standard length patch cords and have capabilities for managing all patch cord slack without blocking ventilation openings or vertical pathways. Cabinet shall be engineered to allow proper climate control for use with various networking equipment including Power over Ethernet (PoE) switches and Uninterrupted Power Supplies (UPS).



## technical information

<b>Dimensions:</b>	<b>PZWMC12W, PZWMC12P:</b> 23.8"H x 25.0"W x 25.0"D (605mm x 635mm x 635mm)
<b>Standards:</b>	Accepts 19" EIA rack mount panels and equipment
<b>Performance:</b>	Working load rating 250 lbs.
<b>Packaging:</b>	Cabinet and keys, locks, two adjustable #12-24 threaded rails, removable cover panel for vent on top of cabinet, assembly hardware and rear cable routing accessory kit

## key features and benefits

<b>Structurally engineered design</b>	Allows cabinet to swing freely for easy operation even under maximum load capacity
<b>Horizontal slack manager (available)</b>	Improves cable routing by enabling front accessible moves, adds, and changes; increases airflow through the cabinet because patch cords are no longer in the vertical channel blocking side ventilation
<b>Thermal management system</b>	Optimizes airflow for improved heat dissipation from various switches and power supplies
<b>Fan kit (available)</b>	Provides additional ventilation for multiple switches or PoE enabled devices; use in cabinets with a windowed door
<b>Adjustable equipment rails (0.9" increments)</b>	Increases usable cabinet depth by accommodating various equipment including 1 RU or 2 RU PoE switches up to 22.7" deep when the rails are in the forward most position. Typical application will accommodate equipment 20" deep, allowing room in the front of the cabinet for patch cords.
<b>Rack spaces identification</b>	Allows for quick and easy location of rack spaces speeding installation of horizontal rack mount products
<b>Grounding kit (available)</b>	Complies with TIA/EIA grounding and bonding specifications
<b>Removable and locking side panels</b>	Allows for easy, secured access to installed equipment and cable routing.

## applications

The PanZone® Wall Mount Cabinet is a zone cabling solution for connecting up to 96 users in applications where a telecommunication room is not available or when security is a concern. There are two options for cable routing and management inside the cabinet. The optional horizontal slack manager can be installed between an active network switch and patch panel to manage the patch cords, which is especially useful for high-density applications.

This method allows for improved airflow and cooling of network equipment and is of particular benefit for PoE applications. The second option is to use traditional horizontal cable managers located adjacent to the patch panels to route the patch cords and any slack should be bundled in the cabinet's vertical channel. Optional rear equipment rails provide additional support for network equipment up to 22.7" deep, providing versatility for greater range of applications.

[www.panduit.com](http://www.panduit.com)

### PanZone® Wall Mount Cabinets

**Windowed Door:** PZWMC12W  
**Perforated door:** PZWMC12P

### PanZone® Cable Management Options

**Horizontal slack manager:** PZCHSM2  
**Cable bend radius post, 4":** PZBR4  
**Cable bend radius post, 3.5":** PZBR3.5  
**Cable bend radius post, 3":** PZBR3  
**Strain relief bracket, 2" offset:** SRB19BLY

### PanZone® Accessories

**Fan kit, 51 cfm:** PZCFK  
**Fan filter replacement:** PZCFR  
**Grounding kit:** PZWMCCKG  
**Rear equipment rails kit, #12-24 threaded:** PZWMC12RR

### PanZone® Solid UTP Patch Cords\*\*

**Cat 6A SD, plenum, plug-plug, blue:** UXPPBU\*  
**Cat 6, plenum, plug-plug, blue:** UPPBU\*

### PanZone® Solid STP Patch Cords\*\*

**Cat 6A, plenum, plug-plug, blue:** SAPPBU\*

### Power Strips 19" Horizontal

**15 A:** CMRPSH15  
**20 A:** CMRPSH20

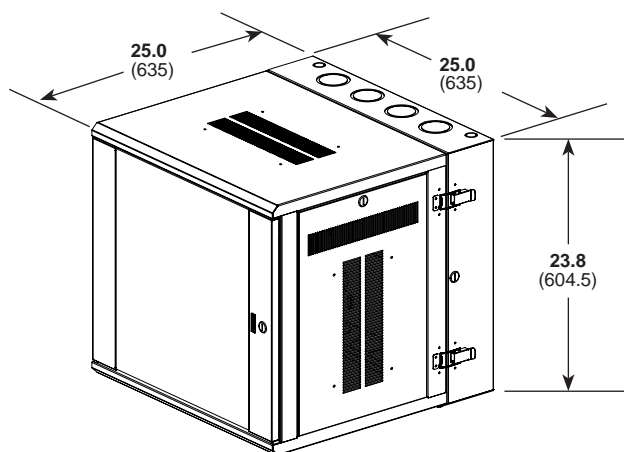
### Mini-Com® Ultimate ID® Modular Patch Panels

**24-port:** UICMPP24BLY  
**48-port:** UICMPP48BLY

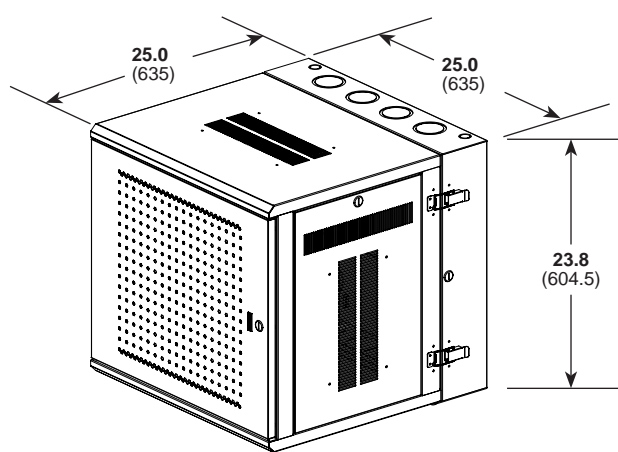
\* Zone cords are available in 10 to 100 ft lengths in 5 ft increments. And 100 to 150 ft lengths in 10 ft increments.

\*\* Plug to Plug versions are listed. Jack to Plug and Jack to Jack options are also available

# PanZone® Wall Mount Cabinet



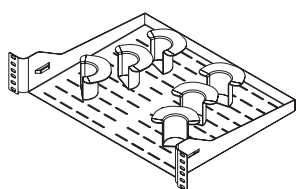
**PZWMC12W – Wall Mount Cabinet with windowed door**



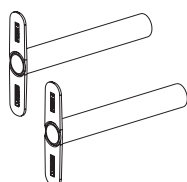
**PZWMC12P – Wall Mount Cabinet with perforated door**



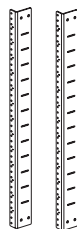
**Figure 1: Application of a horizontal slack manager and bend radius posts installed in a wall mount cabinet**



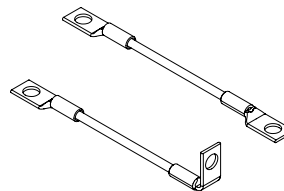
**PZCHSM2  
Horizontal Slack  
Manager, 2 RU**



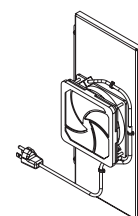
**PZBR4  
4" Bend Radius  
Post Kit**



**PZWMC12RR  
Rear Equipment  
Rail Kit**



**PZWMC12GK  
Grounding Kit**



**PZCFK  
Fan Kit**

## PanZone® Wall Mount Cabinet Cable Management Options and Accessories

Dimensions are in inches [Dimensions in brackets are metric]

### WORLDWIDE SUBSIDIARIES AND SALES OFFICES

PANDUIT US/CANADA  
Phone: 800.777.3300

PANDUIT EUROPE LTD.  
London, UK  
cs-emea@panduit.com  
Phone: 44.20.8601.7200

PANDUIT SINGAPORE PTE. LTD.  
Republic of Singapore  
cs-ap@panduit.com  
Phone: 65.6305.7575

PANDUIT JAPAN  
Tokyo, Japan  
cs-japan@panduit.com  
Phone: 81.3.6863.6000

PANDUIT LATIN AMERICA  
Guadalajara, Mexico  
cs-la@panduit.com  
Phone: 52.33.3777.6000

PANDUIT AUSTRALIA PTY. LTD.  
Victoria, Australia  
cs-aus@panduit.com  
Phone: 61.3.9794.9020

For a copy of Panduit product warranties, log on to [www.panduit.com/warranty](http://www.panduit.com/warranty)

For more information

Visit us at [www.panduit.com](http://www.panduit.com)

Contact Customer Service by email: [cs@panduit.com](mailto:cs@panduit.com)  
or by phone: 800.777.3300

**PANDUIT®**

©2017 Panduit Corp.  
ALL RIGHTS RESERVED.  
ZCSP31--WW-ENG  
7/2017