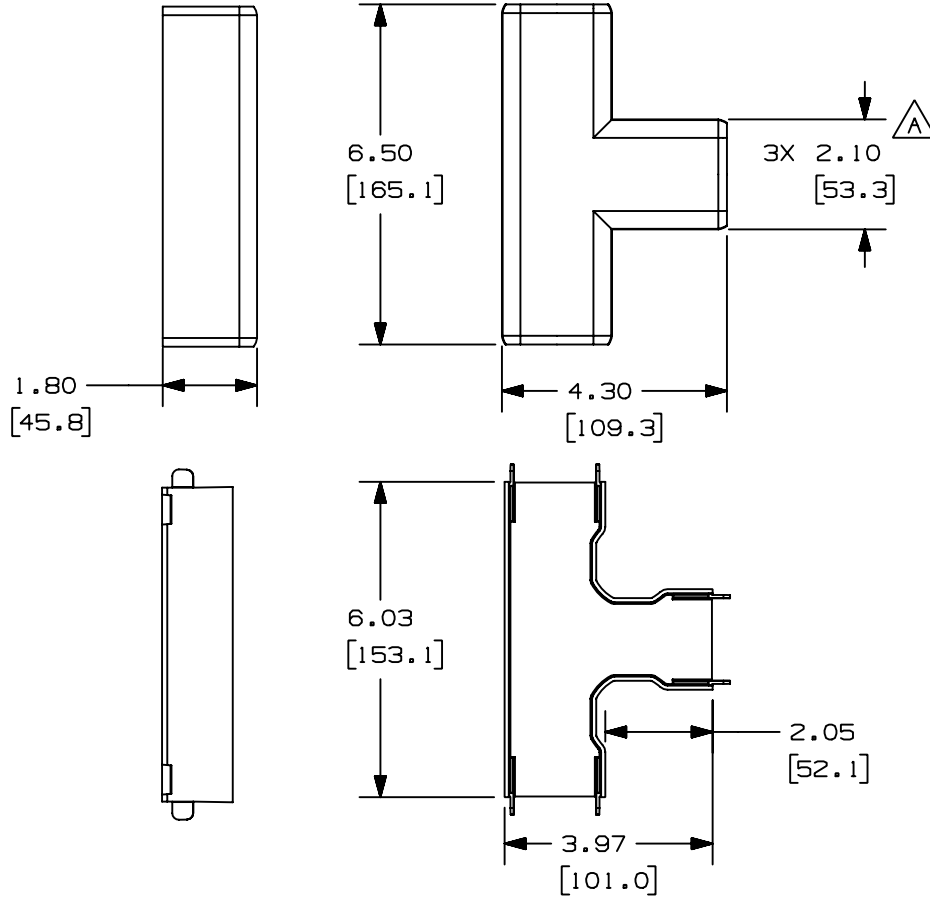


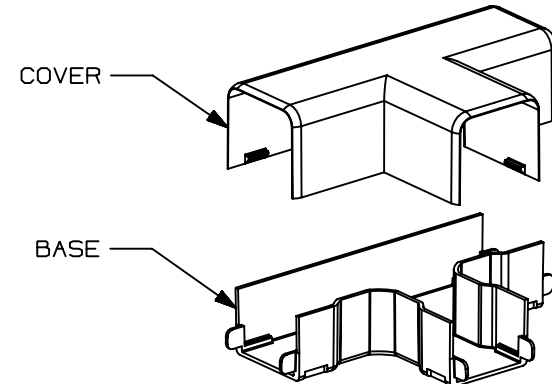
THIS COPY IS PROVIDED ON A RESTRICTED BASIS AND IS NOT TO BE USED IN ANY WAY DETRIMENTAL TO THE INTERESTS OF PANDUIT CORP.



PANDUIT PART NO.	WEIGHT
OFR20T	.29 lbs / EACH (131.5 g / EACH)

NOTES:

- SEE CURRENT CATALOG FOR ADDITIONAL PART NUMBER SUFFIXES TO INDICATE COLOR AND/OR PACKAGE QUANTITY.
- DIMENSIONS IN PARENTHESES ARE IN METRIC.
- FITTING PROVIDES 1" MIN. BEND RADIUS.



CAD FILENAME/LAYERS D38509BH\_DC\_OFR20T\_00C.PRT

PANDUIT CORP. TINLEY PARK, ILLINOIS  
OFFICE FURNITURE  
TEE FITTING (OFR20T)  
CUSTOMER DRAWING

UNLESS OTHERWISE SPECIFIED,  
DIMENSIONAL TOLERANCES ARE:  
(.X) ± (.XXX) ±  
(.XX) ± .03 (.8) ANGLES ±

UNLESS OTHERWISE SPECIFIED,  
ALL DIMENSIONS ARE GIVEN  
IN INCHES, THIRD ANGLE PROJECTION.

REV	DATE	BY	CHK	DESCRIPTION	ECN	CHK	CUST	SUP
2	9-22-03	JHN	RPA	A. REVISED DIMENSION: 3X WAS 2X.	38509-08	RGRO	RGRO	
1	04-25-03	JBN	RPA	RELEASED TO PRODUCTION	38509-08	RGRO	RGRO	
R	03-13-03	JBN	RPA	DRAWING RELEASED				

DRAWN BY JBN  
DATE 03-13-03  
CHK'D RPA

MAT'L: PVC

SCALE NONE  
DRAWING NO. 38509-08  
DWG SIZE A