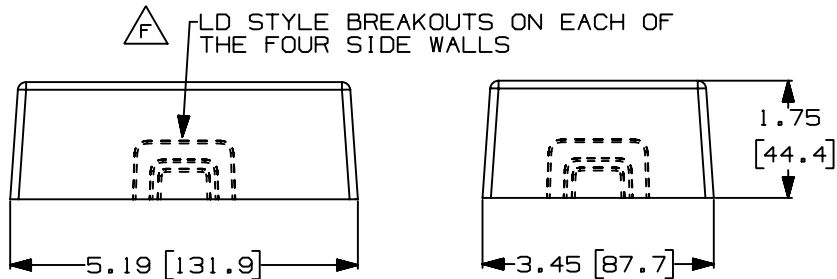
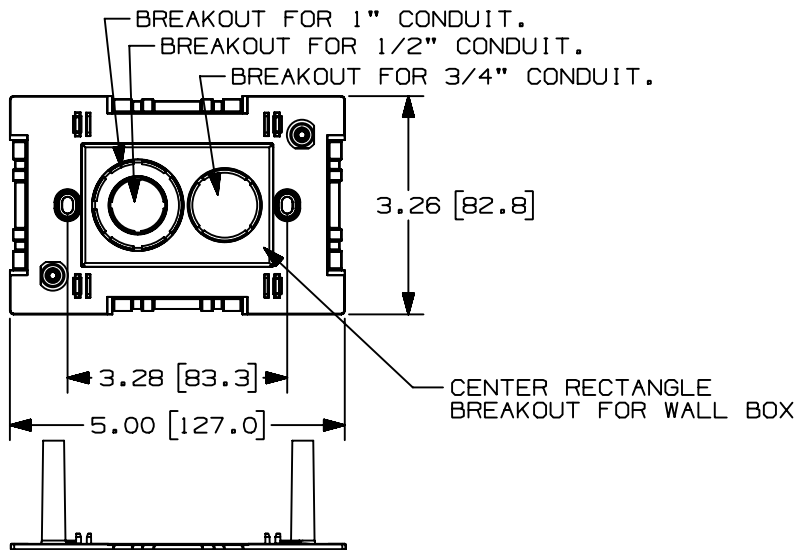


THIS COPY IS PROVIDED ON A RESTRICTED BASIS AND IS NOT TO BE USED IN ANY WAY DETRIMENTAL TO THE INTERESTS OF PANDUIT CORP.

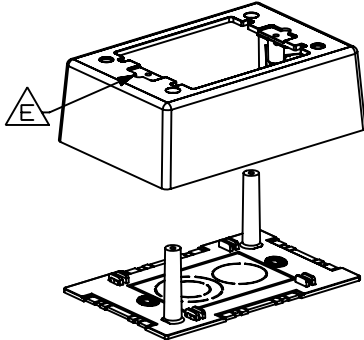


| PANDUIT PART NO.   | WEIGHT                            |
|--------------------|-----------------------------------|
| JBP1 $\triangle A$ | 12.3 LB/10 PCS<br>(1025 g/10 PCS) |



**NOTES:**

1. SEE CURRENT CATALOG FOR ADDITIONAL PART NUMBER SUFFIXES TO INDICATE COLOR AND/OR PACKAGE QUANTITY.
2. THIS PRODUCT IS INTENDED TO BE USED WITH PANDUIT TYPE LDS, LDP, LD, CD AND PD RACEWAYS.
3. DIMENSIONS IN PARENTHESIS ARE IN METRIC.
4. THIS BOX CAN BE USED WITH AN OPTIONAL DIVIDER, PART NO. JBD1.



CAD FILENAME/LAYERS D35541CP\_JB1P\_C\_03.PRT (1)

**PANDUIT** CORP. TINLEY PARK, ILLINOIS  
**POWER JUNCTION BOX - SHALLOW (JBP1)**  
 CUSTOMER DRAWING

| REV | DATE     | BY  | CHK | DESCRIPTION  | ECN      | CHK | CUST | SUP |
|-----|----------|-----|-----|--|----------|-----|------|-----|
| 3   | 03-22-99 | DW  | HIW | E. ADDED GEOMETRY WHERE NOTED.; F. REV'D BREAKOUTS<br>C. MAT'L WAS ABS/PC.; D. REV'D PART WEIGHT | 35541-42 | HIW | HIW  |     |
| 2   | 05-22-98 | DW  | HIW | B. NOTE 4 PART NO. WAS JBP1  | 35541-42 | HIW | HIW  |     |
| 1   | 10-23-96 | JBA | CEF | A. REV'D P/N: WAS JBIP   | 35541-42 | CEF |      |     |
| R   | 09-26-96 | PM  | CEF | RELEASED TO PRODUCTION   | 35541-42 | CEF |      |     |

|   |                                |   |                  |
|---|--------------------------------|---|------------------|
| UNLESS OTHERWISE SPECIFIED, DIMENSIONAL TOLERANCES ARE:<br>(.X) ± (.XXX) ±.010(.3)<br>(.XX) ±.03(.8) ANGLES ± |                                | UNLESS OTHERWISE SPECIFIED, ALL DIMENSIONS ARE GIVEN IN INCHES, THIRD ANGLE PROJECTION. |                  |
| DRAWN BY<br>PM  | MAT'L:<br>PVC<br>$\triangle C$ | SCALE<br>NONE   |                  |
| DATE<br>09-26-96  |                                | DRAWING NO.<br>35541-42   | DWG<br>A<br>SIZE |
| CHECKED BY<br>CEF   |                                |   |                  |