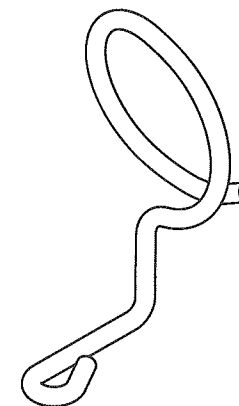
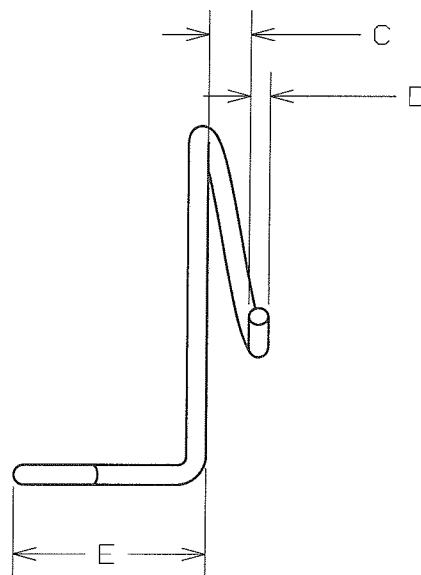
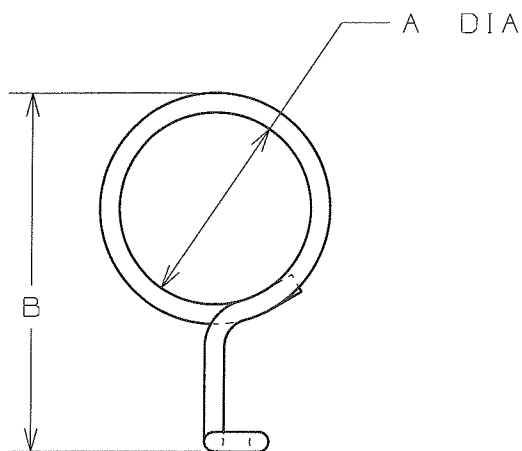
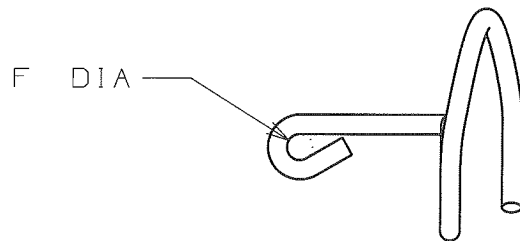


THIS COPY IS PROVIDED ON A RESTRICTED BASIS AND IS NOT TO BE USED IN ANY WAY DETRIMENTAL TO THE INTERESTS OF PANDUIT CORP.

PANDUIT PART NO.	DIMENSIONS						WEIGHT lbs/100pcs (kg)/100pcs
	A (REF)	B (REF)	C	D	E (REF)	F	
BR-1.5-SN	1.50 [ 38 ]	3.15 [ 80 ]	0.32 [ 8 ] MINIMUM	0.206 [ 5.24 ] 0.203 [ 5.16 ]	2.00 [ 51 ]	.320 [ 8.1 ] .200 [ 5.1 ]	9.7 (4.4)
BR-2.0-SN	2.00 [ 51 ]	3.63 [ 92 ]	0.32 [ 8 ] MINIMUM	0.206 [ 5.24 ] 0.203 [ 5.16 ]	2.00 [ 51 ]	.320 [ 8.1 ] .200 [ 5.1 ]	10.9 (4.9)



ISOMETRIC VIEW

NOTES:

- SEE CURRENT PRICE SHEET FOR PART NUMBER SUFFIX DESIGNATION FOR PACKAGE SIZE.
- PART TO BE SECURED WITH USER SUPPLIED FASTENER.

DIMENSIONS IN BRACKETS ARE METRIC [ mm ]	
CAD FILENAME/LAYERS G03668DY_DC_GB3668DY/OOA	
<b>PANDUIT</b> CORP. TINLEY PARK, ILLINOIS	
BR-_-SN BRIDLE RING	
UNLESS OTHERWISE SPECIFIED, DIMENSIONAL TOLERANCES ARE: (.X) ±0.05 [1.3] (.XXX) ±0.010 [0.25] (.XX) ±0.02 [0.5] ANGLES ±5°	UNLESS OTHERWISE SPECIFIED, ALL DIMENSIONS ARE GIVEN IN INCHES, THIRD ANGLE PROJECTION.
DRAWN BY ARHA	MAT'L: LOW CARBON STEEL BRIGHT ZINC ELECTROPLATE
DATE 09-15-09	SCALE NONE
CHK'D KLN	DRAWING NO. GB3668DY
	DWG SIZE A

REV	DATE	BY	CHK	DESCRIPTION	ECN	R	CUST	SUP
OOA	09/15/09	ARHA	PKW	INITIAL RELEASE	GB3668DY	OOA	KLN	