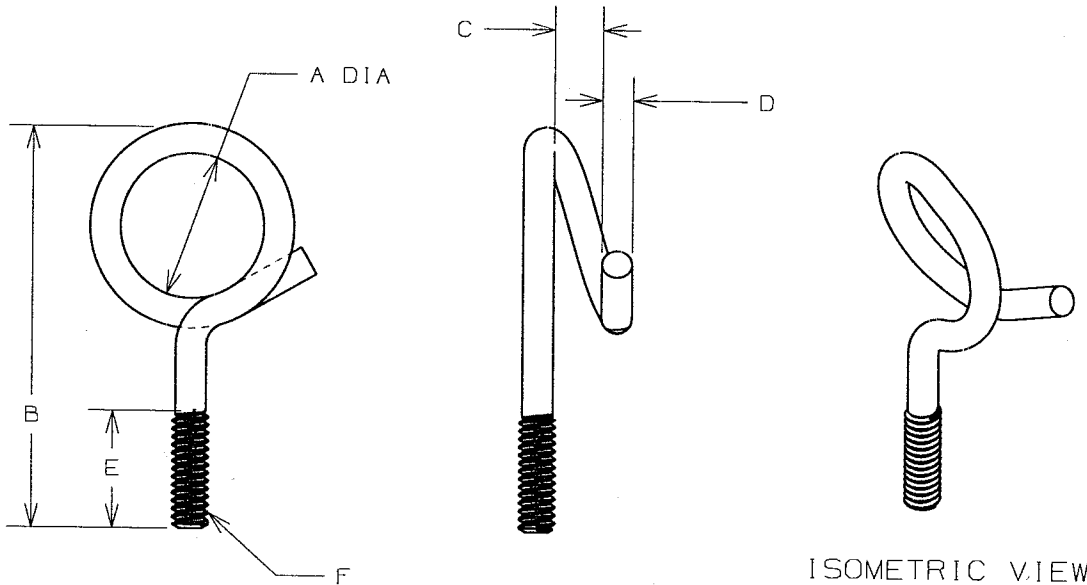


THIS COPY IS PROVIDED ON A RESTRICTED BASIS AND IS NOT TO BE USED IN ANY WAY DETRIMENTAL TO THE INTERESTS OF PANDUIT CORP.

PANDUIT PART NO.	DIMENSIONS						WEIGHT lbs / QTY (kg) / QTY
	A (REF)	B (REF)	C	D	E (REF)	F	
BR-.50-10-24	0.50 [13]	1.78 [45]	0.15 [4] MINIMUM	0.161 [4.08] 0.157 [4.00]	0.61 [16]	10-24 UNC THREAD	1.9 / 100pcs (0.9) / 100pcs
BR-.75-10-24	0.75 [19]	2.03 [52]	0.15 [4] MINIMUM	0.161 [4.08] 0.157 [4.00]	0.61 [16]	10-24 UNC THREAD	2.4 / 100pcs (1.1) / 100pcs
BR-1.25-10-24	1.25 [32]	2.53 [64]	0.32 [8] MINIMUM	0.161 [4.08] 0.157 [4.00]	0.61 [16]	10-24 UNC THREAD	3.5 / 100pcs (1.6) / 100pcs
BR-1.25-1/4-20	1.25 [32]	3.04 [77]	0.32 [8] MINIMUM	0.215 [5.45] 0.211 [5.37]	1.00 [25]	1/4-20 UNC THREAD	6.8 / 100pcs (3.1) / 100pcs
BR-2.0-10-24	2.00 [51]	3.28 [83]	0.32 [8] MINIMUM	0.161 [4.08] 0.157 [4.00]	0.61 [16]	10-24 UNC THREAD	5.2 / 100pcs (2.4) / 100pcs
BR-2.0-1/4-20	2.00 [51]	3.89 [99]	0.32 [8] MINIMUM	0.215 [5.45] 0.211 [5.37]	1.00 [25]	1/4-20 UNC THREAD	9.4 / 100pcs (4.3) / 100pcs
BR-4.0-1/4-20	4.04 [103]	5.93 [151]	0.90 [23] MINIMUM	0.215 [5.45] 0.211 [5.37]	1.00 [25]	1/4-20 UNC THREAD	8.0 / 50pcs (3.6) / 50pcs



NOTES:
1. SEE CURRENT PRICE SHEET FOR PART NUMBER SUFFIX DESIGNATION FOR PACKAGE SIZE.

DIMENSIONS IN BRACKETS ARE METRIC [mm]	
CAD FILENAME/LAYERS G03668CP_DC_GB3668CP/O1B	
PANDUIT CORP. TINLEY PARK, ILLINOIS	
BR- - - THREADED BRIDLE RING	
UNLESS OTHERWISE SPECIFIED, DIMENSIONAL TOLERANCES ARE: (.X) ±0.05 (1.3) (.XXX) ±0.010 (0.25) (.XX) ±0.02 (0.5) ANGLES ±5°	UNLESS OTHERWISE SPECIFIED, ALL DIMENSIONS ARE GIVEN IN INCHES, THIRD ANGLE PROJECTION.
DRAWN BY ARHA	MAT'L: LOW CARBON STEEL BRIGHT ZINC ELECTROPLATE
DATE 09-15-09	SCALE NONE
CHK'D KLN	DRAWING NO. GB3668CP
	DWG A

REV	DATE	BY	CHK	DESCRIPTION	ECN	R	CUST	SUP
O1B	09/25/09	ARHA	PK	CORRECTED PART NUMBER FOR BR-.50-10-24	GB3668CP	O1B	KLN	
O1A	09/15/09	ARHA		INITIAL RELEASE	GB3668CP	O1A		