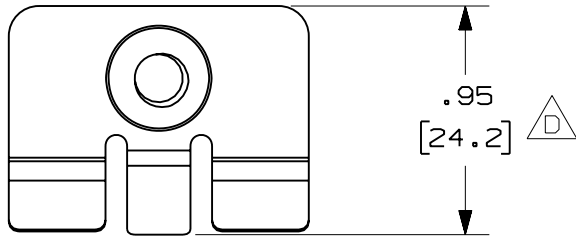


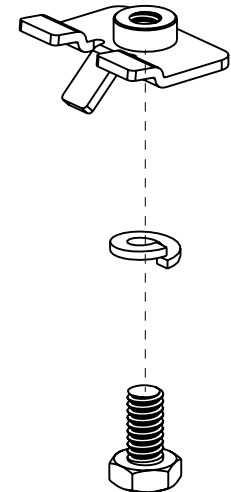
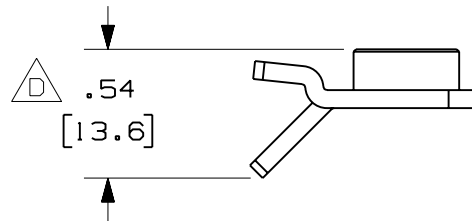
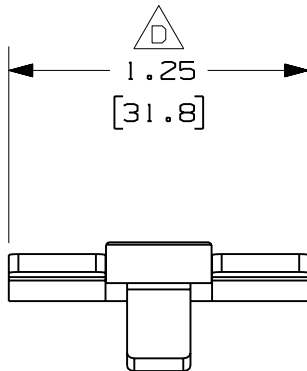
THIS COPY IS PROVIDED ON A RESTRICTED BASIS AND IS NOT TO BE USED IN ANY WAY DETRIMENTAL TO THE INTERESTS OF PANDUIT CORP.

| | |
|------------------------|----------------------------|
| PANDUIT PART NUMBER | WEIGHT |
| FROMC-X | 0.04 LB/EACH (18g/EACH) |



NOTES:

1. SEE CURRENT CATALOG FOR ADDITIONAL PART SUFFIXES TO INDICATE PACKAGE QUANTITY.
2. THE FIBERRUNNER QUICK MOUNT CLIP KIT INCLUDES:
TEN (10) CLIP ASSEMBLIES,
TEN (10) 1/4-20x1/2 HEX HEAD CAP SCREWS,
TEN (10) 1/4 HELICAL SPRING LOCKWASHERS.
3. FINISH COLOR BLACK (EXCEPT HARDWARE)
4. DIMENSIONS IN PARENTHESES ARE IN METRIC.



ENG. REF.: D38241BL_DC_FROMC-X_01.prt

CAD FILENAME/LAYERS



FROMC-X.pdf

PANDUIT CORP TINLEY PARK, ILLINOIS
FIBERRUNNER QUICK MOUNT CLIPS (FROMC-X)
 CUSTOMER DRAWING

| | | | | | | | | | | | | |
|-----|---------|------|-----|---|----------|-----|------|-----|------|--|--|--|
| - | ----- | --- | --- | D. RELOCATED DIMENSIONS C. REVISED PART WEIGHT | ----- | -- | -- | | | | | |
| 2 | 7-12-06 | DTP | RN | B. REVISED GENERAL NOTES A. REVISED CAD FILENAME | 38241-11 | RN | RN | | | | | |
| 1 | 2-12-02 | JHNU | HIW | RELEASED TO PRODUCTION | 38241-11 | HIW | HIW | | | | | |
| R | 12-5-01 | JHNU | HIW | DRAWING RELEASED | | | | | | | | |
| REV | DATE | BY | CHK | DESCRIPTION | ECN | R | CUST | SUP | GMBH | | | |

| | | | |
|--|-----------------|---|-----------|
| UNLESS OTHERWISE SPECIFIED, DIMENSIONAL TOLERANCES ARE: (.X) ± (.XXX) ± (.XX) ± .03 (.8) ANGLES ± | | UNLESS OTHERWISE SPECIFIED, ALL DIMENSIONS ARE GIVEN IN INCHES, THIRD ANGLE PROJECTION. | |
| DRAWN BY JHNU | MAT'L: STEEL | SCALE NONE | DWG A |
| DATE 12-5-01 | | DRAWING NO. 38241-11 | SIZE A |
| CHK'D HIW | | | |