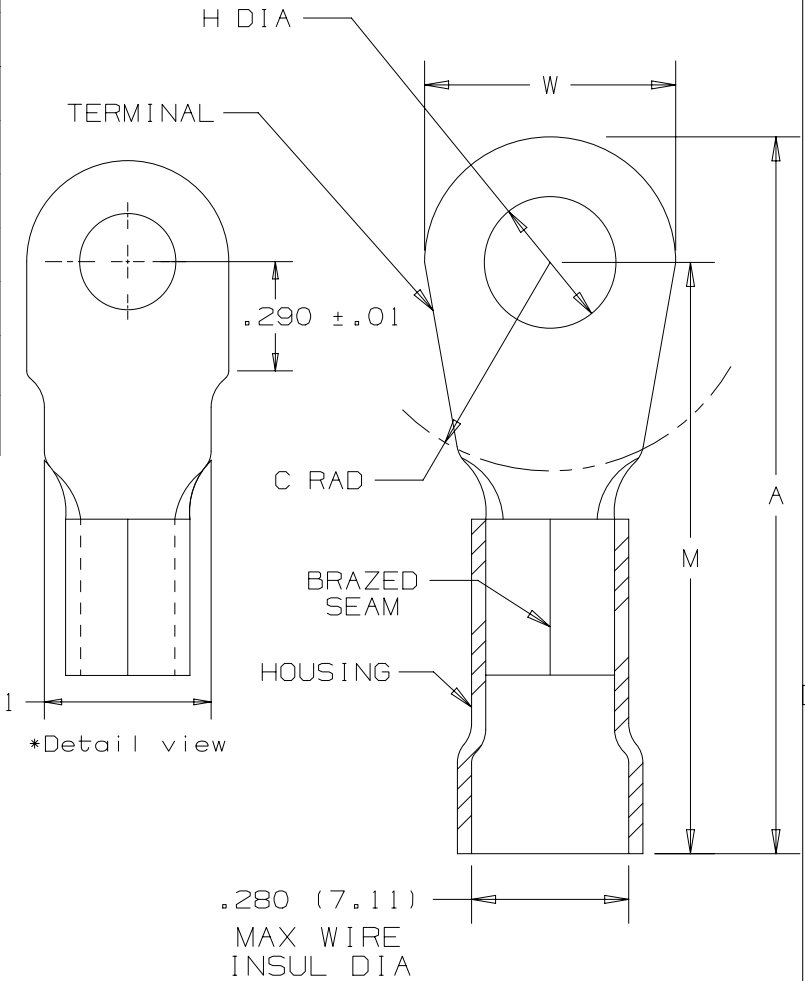


THIS COPY IS PROVIDED ON A RESTRICTED BASIS AND IS NOT TO BE USED IN ANY WAY DETRIMENTAL TO THE INTERESTS OF PANDUIT CORP.

PANDUIT PART NUMBER	STUD SIZE	DIMENSIONS - in.					TOOLS	
		A ± .03	W ± .01	C ± .02	M ± .03	H ± .01		
*PV8-8RN	#8	1.48 (37.59)	.36 (9.14)	.43 (10.92)	1.30 (33.02)	.17 (4.32)	CT-720 (CD-720PV8-2)	
PV8-8R	#8	1.51 (38.86)	.42 (10.67)	.43 (10.92)	1.30 (33.02)	.17 (4.32)		
PV8-10R	#10	1.53 (38.86)	.47 (11.94)	.43 (10.92)	1.30 (33.02)	.20 (5.08)		
PV8-14R	1/4"	1.53 (38.86)	.47 (11.94)	.43 (10.92)	1.30 (33.02)	.27 (6.86)		
PV8-56R	5/16"	1.64 (41.66)	.59 (14.99)	.51 (12.95)	1.35 (34.29)	.33 (8.38)		CT-2600 (CD-2600-PV8)
PV8-38R	3/8"	1.64 (41.66)	.59 (14.99)	.51 (12.95)	1.35 (34.29)	.39 (9.91)		
PV8-12R	1/2"	1.74 (44.20)	.82 (20.83)	.51 (12.95)	1.35 (34.29)	.52 (13.21)		

NOTES:

- cULus LISTED FOR:
  - A. 600V MAX VOLTAGE RATING
  - B. 221° F (105° C) MAX TEMP RATING
  - C. #8 AWG STRANDED COPPER WIRE
- SEE WWW.PANDUIT.COM FOR PACKAGE QUANTITIES
- MATERIAL:
  - A. STAMPING - .040" (1.02) THK, COPPER TIN PLATED
  - B. HOUSING - VINYL, RED
- DIMENSIONS IN BRACKETS ARE IN MILLIMETERS
- WIRE STRIP LENGTH:  $3/8 + 1/32$  (9.5 + .8) - 0



TITLE		#8 BARREL VINYL INSULATED RING TONGUE .280 [7.11] MAX. WIRE INSUL. DIAMETER		
ITEM REVISION NAME		N41219BB/12		
DATASET FILE NAME		N41219BB/12		
UNLESS OTHERWISE SPECIFIED, DIMENSIONAL TOLERANCES ARE: IN (mm)		MATERIAL: SEE NOTE 3		
DRAWING NUMBER:		A41219		
REV	DATE	BY	CHK	APR
12	9/14	JHNU	JHNU	RGB
11	6/14	MBY	JHNU	RGB
DESCRIPTION		ECN		
DAW		DATE	CHK	SCALE
NONE		SHT 1 OF 1		
A		A		

D110100DAA/16