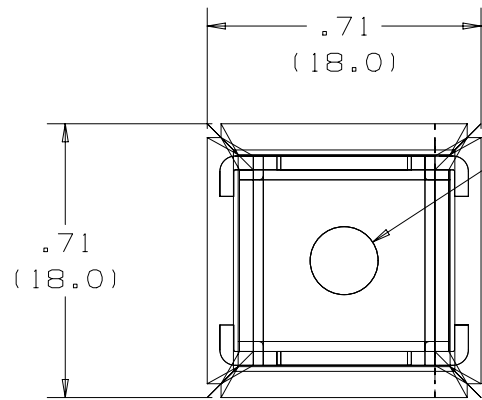
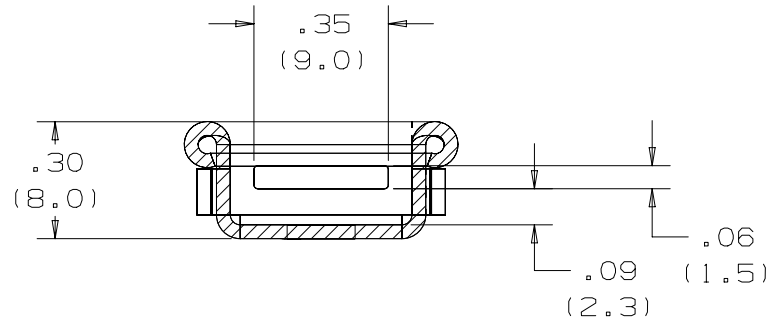


THIS COPY IS PROVIDED ON A RESTRICTED BASIS AND IS NOT TO BE USED IN ANY WAY DETRIMENTAL TO THE INTERESTS OF PANDUIT CORP.




CLEARANCE FOR #8 [4mm]
MOUNTING SCREW
.176 [4.5] DIA.

NOTES:

1. DIMENSIONAL TOLERANCES:
.XX ±.02 (.5)
.XXX ±.01 (.25)
2. USE WITH STD, LH & HVY CROSS SECTION MLT'S.
3. DIMS IN () ARE mm.
4. MAXIMUM SCREW HEAD HEIGHT .09 (2.3)
5. STAINLESS STEE SCREWS ARE RECOMMENDED TO AVOID CORROSION PROBLEMS ASSOCIATED WITH DISSIMILAR METALS.
6. PACKAGE QTY: Q = 25

REV	DATE	BY	CHK	APR	DESCRIPTION	ECN
03A	3/13	JAMB	MIM	RGRO	UPDATE DRAWING TO NEW PANDUIT GLOBAL TITLE BLOCK WITH PANDUIT LOGO. ORIG CAD FILE SPEC WAS S41074_02	SSECN01031
02	8/04	JAMB	JJB	JJB	NOTE2: ADDED THE "LH" LIGHT-HEAVY MLT PRODUCT FOR USE WITH MTM2H TIE MOUNT	11906
01	1/01	KMD	JAC	JAC	ADDED NOTE 6. CAD FILE SPEC WAS N41074SA_PCD_00	09010
00	11/92	BO	JAC	LCA	DRAWING RELEASED	01265

TITLE		2-WAY METAL TIE MOUNT MTM2H		
ITEM REVISION NAME		CUSTOMER DRAWING		
DATASET FILE NAME		N41074BS/03		
UNLESS OTHERWISE SPECIFIED, DIMENSIONAL TOLERANCES ARE: IN (mm)		 MATERIAL: 304 STAINLESS STEEL		
.x ± .1 [2.54] .xxx ± .005 [.127] .xx ± .01 [.25] ANGLES ± 5 °				
DRAWN BY		DATE	CHK	SCALE
BJO		11/11/92	JAC	2:1
DRAWING NUMBER:		N41074BS_DC		
SHT 1 OF 1		A		