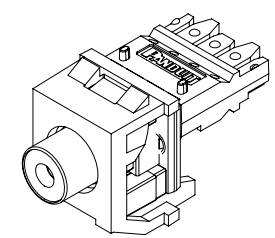
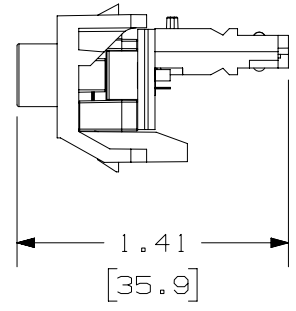
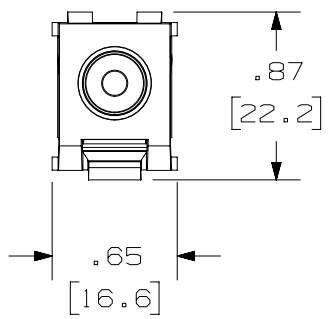


THIS COPY IS PROVIDED ON A RESTRICTED BASIS AND IS NOT TO BE USED IN ANY WAY DETRIMENTAL TO THE INTERESTS OF PANDUIT CORP.

PANDUIT P/N	DESCRIPTION	WEIGHT
NKRPMR**	MODULE WITH RED INSERT	6.51g/PC)
NKRPMY**	MODULE WITH YELLOW INSERT	
NKRPMW**	MODULE WITH WHITE INSERT	

- NOTES:
- SEE CURRENT CATALOG FOR ADDITIONAL PART NUMBER SUFFIXES TO INDICATE COLOR AND OR PACKAGE QUANTITY.
 - SEE CATALOG FOR COMPLETE LIST OF PARTS APPLICABLE FOR USE WITH THIS PART.
 - DIMENSIONS IN PARENTHESES ARE IN METRIC.



PART NUMBER		NKRPM***	
TITLE			
NETKEY RCA PUNCHDOWN MODULE			
CUSTOMER DRAWING			
ITEM REVISION NAME		M02403BC/00	
DATASET FILE NAME		M02403BC_DC09/00B	
UNLESS OTHERWISE SPECIFIED, DIMENSIONAL TOLERANCES ARE: IN [mm]		MATERIAL:	
.x ± .xx ± .03 (.8)		ABS	
.xxx ± .010 (.3)		DRAWING NUMBER:	
ANGLES ±		02403-09	
THIRD ANGLE PROJECTION		SHT 1 OF 1	
DRAWN BY	DATE	CHK	SCALE
MDJR	4-18-06	CEF	FULL
REV	DATE	BY	CHK
APR	DESCRIPTION	ECN	SIZE
			A

REV	DATE	BY	CHK	APR	DESCRIPTION	ECN
1	5-20-14	MDJR	REFR	JCK	A. UPDATED TITLE BLOCK.	02403-09
R	4-18-06	MDJR	CEF	CEF	RELEASED TO PRODUCTION	02403-09

D10100DA/14