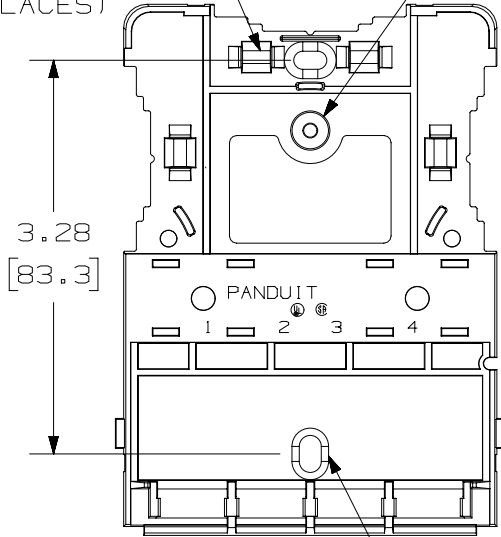
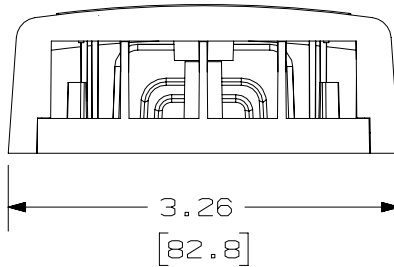


THIS COPY IS PROVIDED ON A RESTRICTED BASIS AND IS NOT TO BE USED IN ANY WAY DETRIMENTAL TO THE INTERESTS OF PANDUIT CORP.

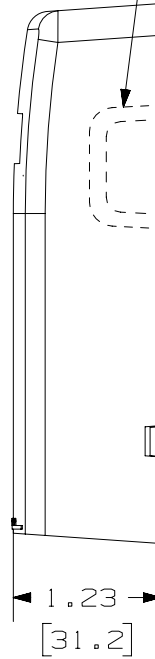
COVER REMOVED FOR CLARITY  
 PAN-TY LOOP FOR CABLE HOLD-DOWN (4 PLACES)  
 POST FOR TAMPER RESISTANT SCREW



MOUNTING HOLES FOR #6 PAN HEAD SCREW (2 PLACES)



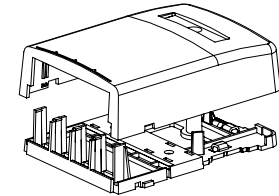
BREAKOUT AREA (3 PLACES)



PANDUIT PART NO.	WEIGHT
NK4BX**-AY	1.2 LB/10 PCS (530.0 g/10 PCS)

NOTES:

- SEE CURRENT CATALOG FOR ADDITIONAL PART NUMBER SUFFIXES TO INDICATE COLOR AND OR PACKAGE QUANTITY.
- SEE CATALOG FOR A COMPLETE LIST OF PARTS APPLICABLE FOR USE WITH THIS PART.
- DIMENSIONS IN PARENTHESES ARE IN METRIC.
- ALSO INCLUDED WITH BOX:
  - 1- BOX BASE
  - 1- BOX COVER
  - 2- PLT1.5I-C PAN-TY
  - 2- MOUNTING SCREW
  - 1- MOUNTING SCREW (USED TO SECURE COVER TO BASE)
  - 1- LABEL/LABEL COVER
  - 2- STRIP OF 1.25" X .75" FOAM TAPE FOR MOUNTING
- BREAKOUTS DESIGNED TO ACCEPT LD3/LDP3 OR LD5/LDP5 RACEWAY.
- BASE MATERIAL THICKNESS= .090( 2.29 ).



NO WARRANTY, EXPRESSED OR IMPLIED, IS MADE BY PANDUIT WITH RESPECT TO ADHESIVE BOND PERFORMANCE. AMONG OTHER THINGS, THE CONDITIONS UNDER WHICH THESE MOUNTS MAY BE APPLIED AND/OR THE SURFACE TO WHICH THEY MAY BE APPLIED ARE BEYOND PANDUIT'S CONTROL.

PART NUMBER		NK4BX**-AY	
TITLE			
NETKEY 4 POSITION SURFACE MOUNT BOX			
CUSTOMER DRAWING			
ITEM REVISION NAME		M02479BB/00	
DATASET FILE NAME		M02479BB_DC028/00B	
UNLESS OTHERWISE SPECIFIED, DIMENSIONAL TOLERANCES ARE: IN [ mm ]		MATERIAL:	
.x ± .xxx ± .010 [ .3 ]		ABS	
.xx ± .03 [ .8 ]		DRAWING NUMBER:	
THIRD ANGLE PROJECTION		02479-028	
DRAWN BY	DATE	CHK	SCALE
JSP	5-02-07		NONE
REV	DATE	BY	CHK
DESCRIPTION	ECN	SHT 1 OF 1	A

REV	DATE	BY	CHK	APR	DESCRIPTION	ECN
1	5-09-14	MDJR	REFR	JCK	A. UPDATED TITLE BLOCK.	02479-028
R	5-02-07	JSP			RELEASED TO PRODUCTION	02479-028

D10100DA/14