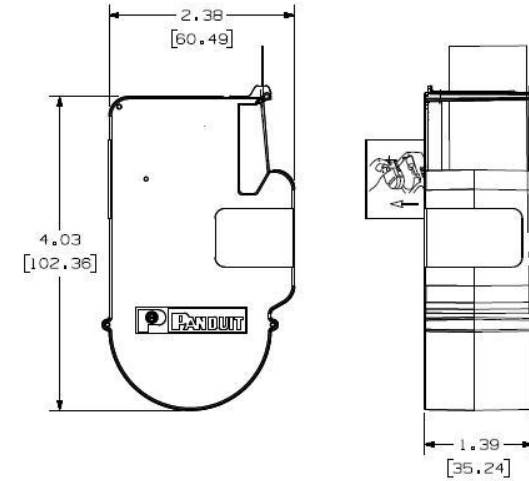


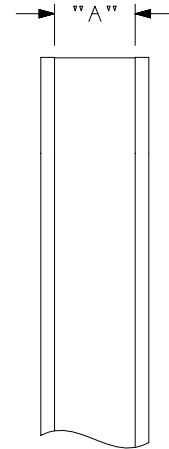
THIS COPY IS PROVIDED ON A RESTRICTED BASIS AND IS NOT TO BE USED IN ANY WAY DETRIMENTAL TO THE INTERESTS OF PANDUIT CORP.

PART NO.	PART DESCRIPTION	LABEL "A"	MATERIAL	ROLL LENGTH	
T019X000FJC-BK	BLACK ON WHITE, POLYOLEFIN TAPE	0.19 [4.83]	GMPO4	300"	
T024X000FJC-BK	BLACK ON WHITE, POLYOLEFIN TAPE	0.24 [6.10]	GMV14		
T024X000YKC-BK	BLACK ON CLEAR, POLYESTER TAPE		GMV15		
T024X000VPC-BK	BLACK ON WHITE, VINYL TAPE		GMV14		
T024X000VYC-WH	WHITE ON BLACK, VINYL TAPE		GMV15		
T031X000FJC-BK	BLACK ON WHITE, POLYOLEFIN TAPE		0.31 [7.87]		GMPO4
T038X000FJC-BK	BLACK ON WHITE, POLYOLEFIN TAPE	0.38 [9.65]	GMV14		
T038X000VPC-BK	BLACK ON WHITE, VINYL TAPE		GMV14		
T038X000VQC-BK	BLACK ON BLUE, VINYL TAPE		GMV15		
T038X000VQC-WH	WHITE ON BLUE, VINYL TAPE				
T038X000VSC-BK	BLACK ON GREEN, VINYL TAPE				
T038X000VSC-WH	WHITE ON GREEN, VINYL TAPE				
T038X000VUC-BK	BLACK ON ORANGE, VINYL TAPE				
T038X000VWC-BK	BLACK ON RED, VINYL TAPE				
T038X000VWC-WH	WHITE ON RED, VINYL TAPE				
T038X000VXC-BK	BLACK ON YELLOW, VINYL TAPE				GMV14
T038X000VYC-WH	WHITE ON BLACK, VINYL TAPE				GMV15
T038X000YKC-BK	BLACK ON CLEAR, POLYESTER TAPE				GMV14



1 OF 3

NOTES:
1. DIMENSIONS IN [] ARE IN MILLIMETERS.

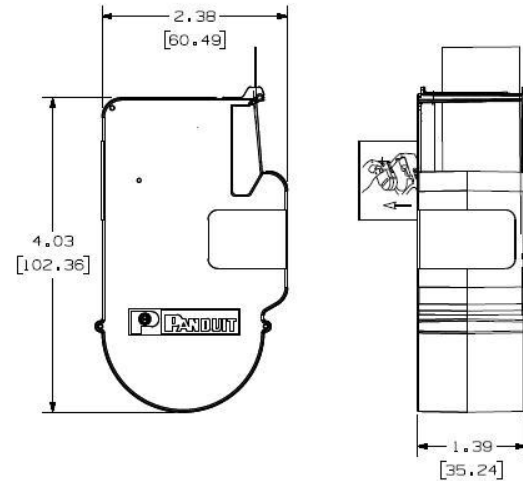


REV	DATE	BY	CHK	APR	DESCRIPTION	ECN
4	10/3/14	RVU	SEWH	MSAD	T038X000VXC-BK, T050X000VXC-BK, T075X000VXC-BK AND T100X000VXC-BK, MATERIAL: GMV14 WAS GMV15. REMOVE NOTE 2. COMBINE OTHER DWG., C10866, & C10867.	GAECN02340
3	10/12/12	RVU	SEWH	MSAD	T024X000VPC-BK, T038X000VPC-BK, T050X000VPC-BK, T075X000VPC-BK, T100X000VPC-BK, MATERIAL: GMV14 WAS GMV15.	GAECN00369
2	10/19/10	RVU			UPDATE ALL TABLE FROM THE NEW PART NO.	6195
1	4/14/09	LDG			ADDED T050X000VPC-RD, T100X000VPC-RD.	5702
0	4/30/08	RVU			DRAWING RELEASE	5403

TITLE					
P1 T***X*** CASSETTE CONTINUOUS TAPE LABEL CUSTOMER DRAWING					
ITEM REVISION NAME			10074380/23		
DATASET FILE NAME			10074380_DC_C10695/23E		
UNLESS OTHERWISE SPECIFIED, DIMENSIONAL TOLERANCES ARE: IN [mm]			PANDUIT SEE TABLE		
.x ± .03 [.762] .xxx ± .025 [.635] .xx ± .03 [.762] ANGLES ±					
DRAWING NUMBER:			C10695		
DRAWN BY	DATE	CHK	SCALE	SIZE	
RVU	4/30/08	MSAD	NTS	SHT 1 OF 1 A	

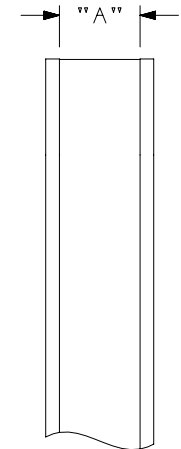
THIS COPY IS PROVIDED ON A RESTRICTED BASIS AND IS NOT TO BE USED IN ANY WAY DETRIMENTAL TO THE INTERESTS OF PANDUIT CORP.

P1 CASSETTE PART NO.	PART DESCRIPTION	LABEL "A"	MATERIAL	ROLL LENGTH
T050X000VPC-BK	BLACK ON WHITE, VINYL TAPE	0.50 (12.70)	GMV14	300"
T050X000VPC-RD	RED ON WHITE, VINYL TAPE		GMV15	
T050X000YKC-BK	BLACK ON CLEAR, POLYESTER TAPE		GMV4-C	
T050X000VXC-BK	BLACK ON YELLOW, VINYL TAPE		GMV14	
T050X000VUC-BK	BLACK ON ORANGE, VINYL TAPE		GMV15	
T050X000VWC-BK	BLACK ON RED, VINYL TAPE			
T050X000VSC-BK	BLACK ON GREEN, VINYL TAPE			
T050X000VQC-BK	BLACK ON BLUE, VINYL TAPE			
T050X000VYC-WH	WHITE ON BLACK, VINYL TAPE			
T050X000VQC-WH	WHITE ON BLUE, VINYL TAPE			
T050X000VSC-WH	WHITE ON GREEN, VINYL TAPE			
T050X000VWC-WH	WHITE ON RED, VINYL TAPE			
T050X000YKC-WH	WHITE ON CLEAR, POLYESTER TAPE	GMV4-C		
T075X000VPC-BK	BLACK ON WHITE, VINYL TAPE	0.75 (19.05)		
T075X000VQC-BK	BLACK ON BLUE, VINYL TAPE		GMV15	
T075X000VQC-WH	WHITE ON BLUE, VINYL TAPE			
T075X000VSC-BK	BLACK ON GREEN, VINYL TAPE			
T075X000VSC-WH	WHITE ON GREEN, VINYL TAPE			
T075X000VUC-BK	BLACK ON ORANGE, VINYL TAPE			
T075X000VWC-BK	BLACK ON RED, VINYL TAPE			
T075X000VWC-WH	WHITE ON RED, VINYL TAPE			
T075X000VXC-BK	BLACK ON YELLOW, VINYL TAPE			GMV14
T075X000VYC-WH	WHITE ON BLACK, VINYL TAPE			GMV15
T075X000YKC-BK	BLACK ON CLEAR, POLYESTER TAPE	GMV4-C		



2 OF 3

NOTES:
1. DIMENSIONS IN [] ARE IN MILLIMETERS.

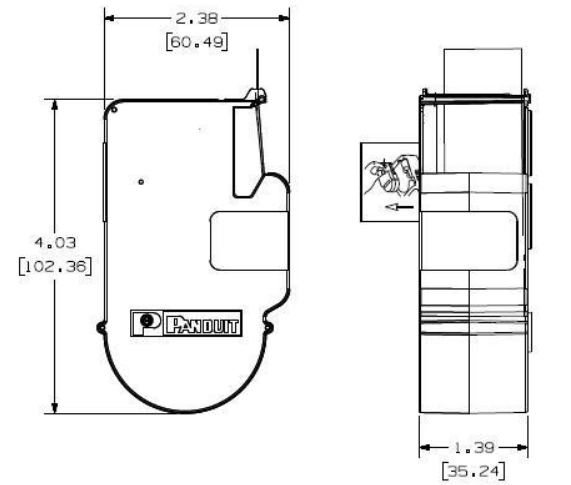


REV	DATE	BY	CHK	APR	DESCRIPTION	ECN
4	10/3/14	RVU	SEWH	MSAD	T038X000VXC-BK, T050X000VXC-BK, T075X000VXC-BK AND T100X000VXC-BK, MATERIAL: GMV14 WAS GMV15. REMOVE NOTE 2. COMBINE OTHER DWG., C10866, & C10867.	GAECN02340
3	10/12/12	RVU	SEWH	MSAD	T024X000VPC-BK, T038X000VPC-BK, T050X000VPC-BK, T075X000VPC-BK, T100X000VPC-BK, MATERIAL: GMV14 WAS GMV15.	GAECN00371
2	10/19/10	RVU			UPDATE ALL TABLE FROM THE NEW PART NO.	6195
1	4/14/09	LDG			ADDED T050X000VPC-RD, T100X000VPC-RD.	5702
0	4/30/08	RVU			DRAWING RELEASE	5403

TITLE					
P1 T***X*** CASSETTE CONTINUOUS TAPE LABEL CUSTOMER DRAWING					
ITEM REVISION NAME			10074380/23		
DATASET FILE NAME			10074380_DC_C10695/23E		
UNLESS OTHERWISE SPECIFIED, DIMENSIONAL TOLERANCES ARE: IN [mm]			PANDUIT SEE TABLE		
.x ± .xxx ± .025 [.635] .xx ± .03 [.762]					
ANGLES ±			DRAWING NUMBER: C10695		
THIRD ANGLE PROJECTION			DRAWN BY: RVU, DATE: 4/30/08, CHK: MSAD, SCALE: NTS, SIZE: A		

THIS COPY IS PROVIDED ON A RESTRICTED BASIS AND IS NOT TO BE USED IN ANY WAY DETRIMENTAL TO THE INTERESTS OF PANDUIT CORP.

P1 CASSETTE PART NO.	PART DESCRIPTION	LABEL "A"	MATERIAL	ROLL LENGTH
T100X000VPC-BK	BLACK ON WHITE, VINYL TAPE	1.00 [25.40]	GMV15	300"
T100X000VPC-RD	RED ON WHITE, VINYL TAPE		GMV14	
T100X000YKC-BK	BLACK ON CLEAR, POLYESTER TAPE		GMV4-C	
T100X000VXC-BK	BLACK ON YELLOW, VINYL TAPE		GMV14	
T100X000VUC-BK	BLACK ON ORANGE, VINYL TAPE		GMV15	
T100X000VWC-BK	BLACK ON RED, VINYL TAPE			
T100X000VSC-BK	BLACK ON GREEN, VINYL TAPE			
T100X000VQC-BK	BLACK ON BLUE, VINYL TAPE			
T100X000VYC-WH	WHITE ON BLACK, VINYL TAPE			
T100X000VXC-WH	WHITE ON YELLOW, VINYL TAPE			
T100X000VUC-WH	WHITE ON ORANGE, VINYL TAPE		GMV4-C	
T100X000VWC-WH	WHITE ON RED, VINYL TAPE			
T100X000VSC-WH	WHITE ON GREEN, VINYL TAPE			
T100X000VQC-WH	WHITE ON BLUE, VINYL TAPE		GMRS	216"
T100X000YKC-WH	WHITE ON CLEAR, POLYESTER TAPE			
T100X000RXC-BK	BLACK ON YELLOW, REFLECTIVE VINYL			
T100X000RUC-BK	BLACK ON ORANGE, REFLECTIVE VINYL			
T100X000RPC-BK	BLACK ON WHITE, REFLECTIVE VINYL			



3 OF 3



NOTES:
1. DIMENSIONS IN [] ARE IN MILLIMETERS.



B

B



A

A

REV	DATE	BY	CHK	APR	DESCRIPTION	ECN
4	10/3/14	RVU	SEWH	MSAD	T038X000VXC-BK, T050X000VXC-BK, T075X000VXC-BK AND T100X000VXC-BK, MATERIAL: GMV14 WAS GMV15. REMOVE NOTE 2. COMBINE OTHER DWG., C10866, & C10867.	GAECN02340
3	10/12/12	RVU	SEWH	MSAD	T024X000VPC-BK, T038X000VPC-BK, T050X000VPC-BK, T075X000VPC-BK, T100X000VPC-BK, MATERIAL: GMV14 WAS GMV15.	GAECN00372
2	10/19/10	RVU			UPDATE ALL TABLE FROM THE NEW PART NO.	6195
1	4/14/09	LDG			ADDED T050X000VPC-RD, T100X000VPC-RD.	5702
0	4/30/08	RVU			DRAWING RELEASE	5403

TITLE					P1 T***X*** CASSETTE CONTINUOUS TAPE LABEL				
ITEM REVISION NAME					CUSTOMER DRAWING				
10074380/23					PANDUIT				
DATASET FILE NAME					MATERIAL:				
10074380_DC_C10695/23E					SEE TABLE				
UNLESS OTHERWISE SPECIFIED, DIMENSIONAL TOLERANCES ARE: IN [mm]					DRAWING NUMBER:				
.x ± .xxx ± .025 [.635]					C10695				
.xx ± .03 [.762]					THIRD ANGLE PROJECTION				
ANGLES ±					DRAWN BY				
					RVU				
DATE					4/30/08				
CHK					MSAD				
SCALE					NTS				
SHT 1 OF 1					SIZE				
A					A				