

NOTES:

1. MATERIAL:
BODY - BRONZE (GUN METAL)
SCREW - STEEL, ZINC PLATED
2. PARTS ARE cULus LISTED TO UL467 AS
GROUNDING & BONDING EQUIPMENT.
3. SEE WWW.PANDUIT.COM FOR PART NUMBER
SUFFIX DESIGNATION FOR PACKAGE SIZE.

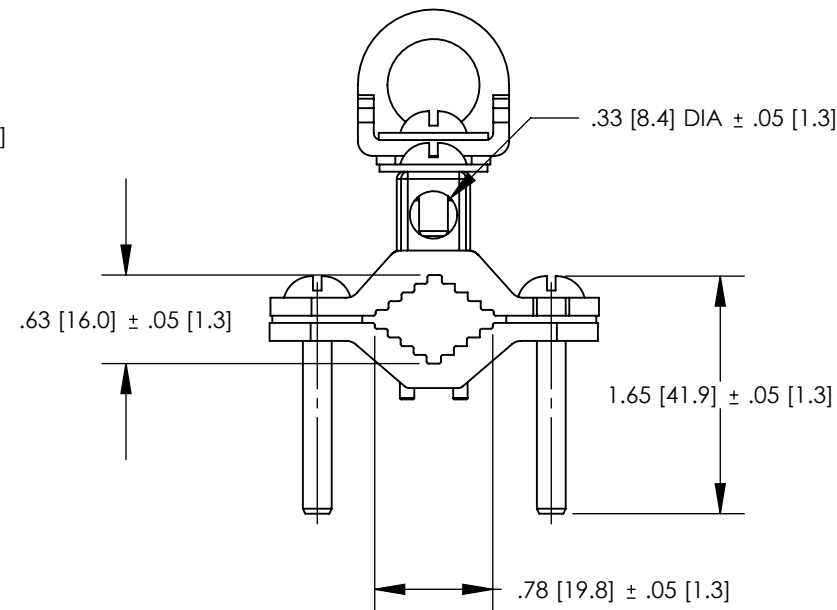
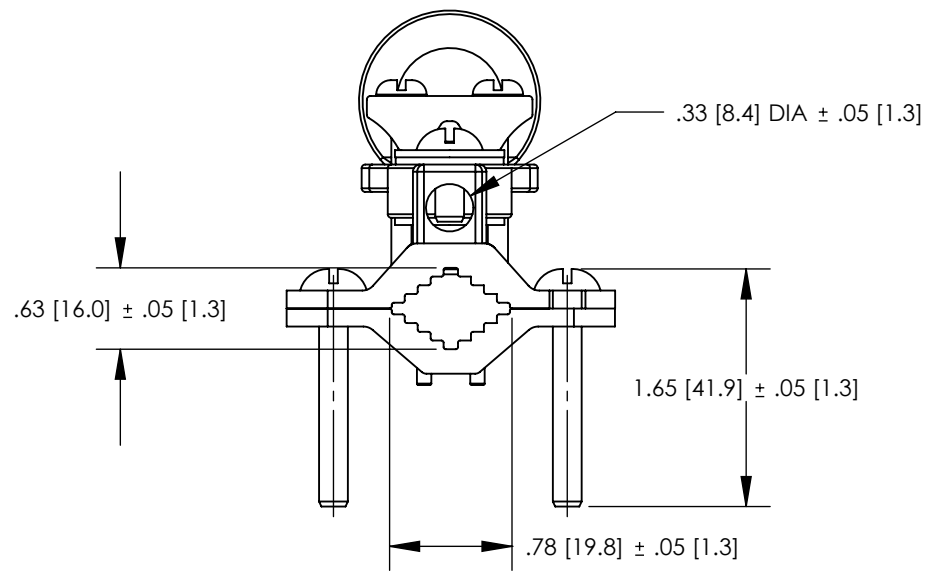
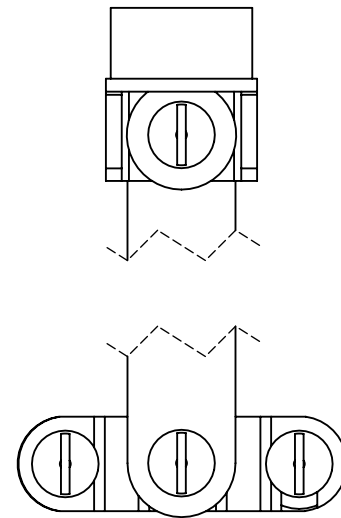
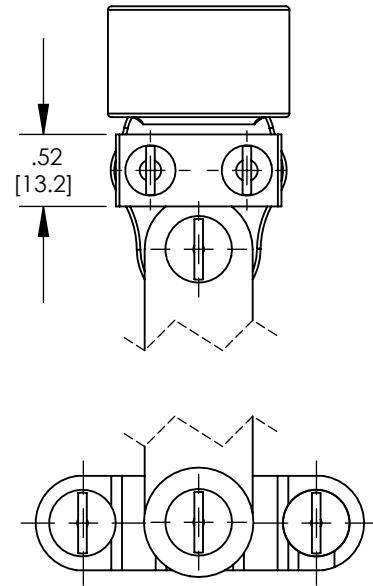


FIGURE 1

FIGURE 2

PART NUMBER	FIGURE	DESCRIPTION	WATER PIPE	GROUNDING WIRE
GPCS4-1-12	2	GROUND CLAMPS FOR RIGID CONDUIT WITH CU STRAP REG. 1/2 HUB	1/2" - 1"	8 - 4 STR
GPCS4-2-12	2	GROUND CLAMPS FOR RIGID CONDUIT WITH CU STRAP REG. 3/4 HUB	1/2" - 1"	8 - 4 STR
GPCS4-4-12	2	GROUND CLAMPS FOR RIGID CONDUIT WITH CU STRAP REG. 1 HUB	1/2" - 1"	8 - 4 STR
GPCSG4-1-12	1	GROUND CLAMPS FOR RIGID CONDUIT WITH CU STRAP REG. 1/2 360 DEG HUB	1/2" - 1"	8 - 4 STR
GPCSG4-2-12	1	GROUND CLAMPS FOR RIGID CONDUIT WITH CU STRAP REG. 3/4 360 DEG HUB	1/2" - 1"	8 - 4 STR
GPCSG4-4-12	1	GROUND CLAMPS FOR RIGID CONDUIT WITH CU STRAP REG. 1 360 DEG HUB	1/2" - 1"	8 - 4 STR

REV	DATE	BY	CHK	APR	DESCRIPTION	ECN
01	8/12	JHNU	SRBI	RGB	REVISED P/N'S: GPCS4-1-12 WAS GPCW4-1-12, GPCS4-2-12 WAS GPCW4-2-12, GPCS4-4-12 WAS GPCW4-4-12	10J018AS-JC
00	7/12	JHNU	SRBI	RGB	DRAWING RELEASED	10J018AS-JC

TITLE BRONZE GROUND PIPE CLAMP - 1/2" - 1" WITH COPPER STRAP CUSTOMER DRAWING	
ITEM REVISION NAME 10J018AS/01	PANDUIT TM
DATASET FILE NAME 10J018AS-JC/01.SLDDRW	
UNLESS OTHERWISE SPECIFIED, DIMENSIONAL TOLERANCES ARE: IN [mm] .X ± .XXX ± .XX ± ANGLES ±	
THIRD ANGLE PROJECTION	
DRAWN BY JHNU	DATE 7/12
CHK SRBI	SCALE N/A
DRAWING NUMBER 10J018AS-JC	
SHEET 1 OF 1	
SIZE B	