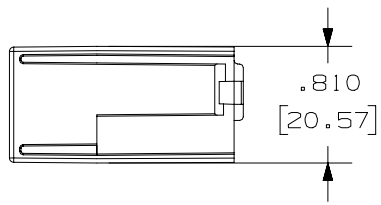
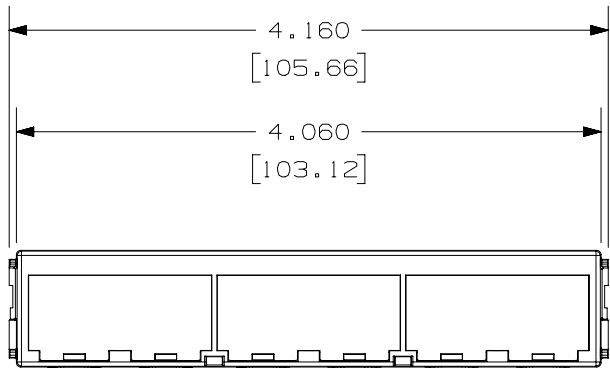


2

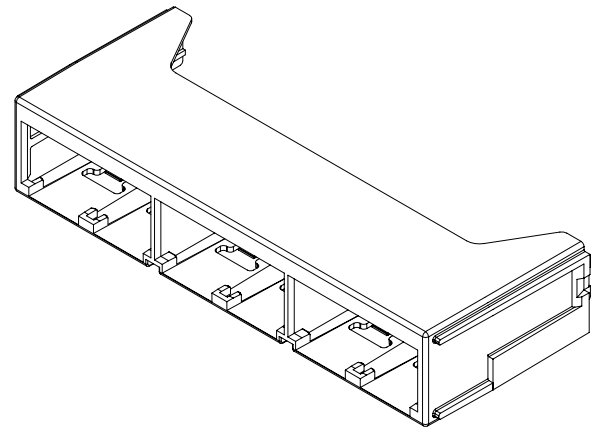
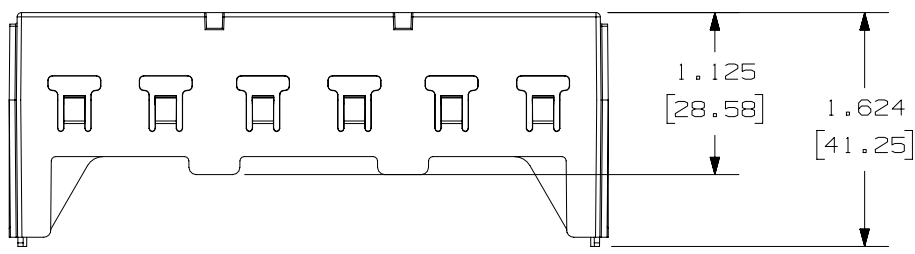
1

THIS COPY IS PROVIDED ON A RESTRICTED BASIS AND IS NOT TO BE USED IN ANY WAY DETRIMENTAL TO THE INTERESTS OF PANDUIT CORP.



PANDUIT PART NUMBER	WEIGHT (APPOX.)
QPPABL	0.06 lbs (3.2 g)

- NOTES:
- SEE CURRENT CATALOG FOR VARIOUS APPLICATIONS.
  - THE ADAPTER IS DESIGNED FOR USE WITH QUICKET PATCH PANELS.
  - DIMENSIONS IN BRACKETS ARE IN METRIC.



PART NUMBER		QPPABL	
TITLE			
MINI-COM 6 POSITION QUICKNET PATCH PANEL ADPATER			
CUSTOMER DRAWING			
ITEM REVISION NAME		M02582BE/09	
DATASET FILE NAME		M02582BE_DC36/08B	
UNLESS OTHERWISE SPECIFIED, DIMENSIONAL TOLERANCES ARE: IN (mm)		MATERIAL:	
.x ± .xxx ± .010 (.3)		ABS	
.xx ± .03 (.8) ANGLES ±		DRAWING NUMBER:	
THIRD ANGLE PROJECTION		02582 - 36	
DRAWN BY	DATE	CHK	SCALE
KSM	1-03-07	WFM	NONE
SHT 1 OF 1			SIZE
			A

REV	DATE	BY	CHK	APR	DESCRIPTION	ECN
2	5/23/14	JSP	REFR	TMBA	REVISED AND REDRAWN, PREVIOUS REVISIONS HAVE BEEN OMITTED.	02582-36

2

1

D10100DA/14