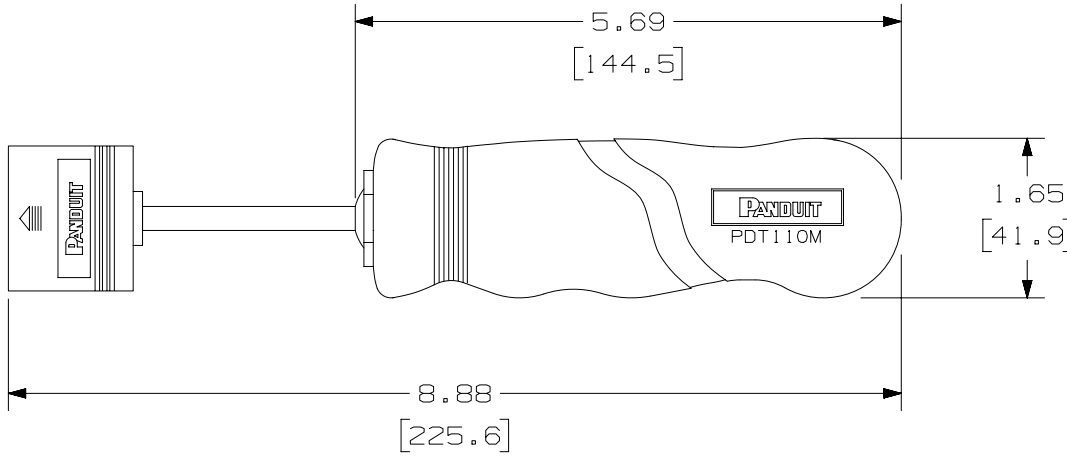


THIS COPY IS PROVIDED ON A RESTRICTED BASIS AND IS NOT TO BE USED IN ANY WAY DETRIMENTAL TO THE INTERESTS OF PANDUIT CORP.

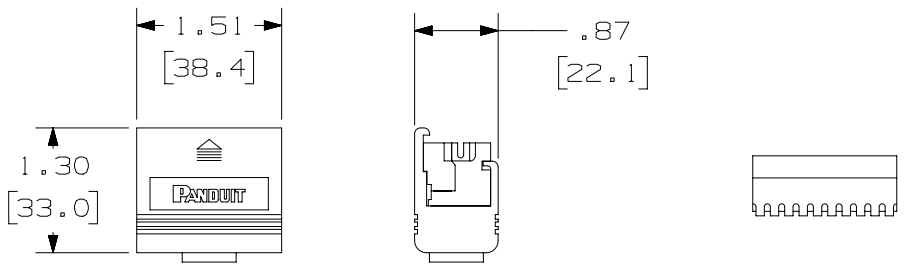
PANDUIT PART NO.	WEIGHT
PDT110M	1.01 LB/ea 458.14 g/ea
PDB110M	.013 LB/ea 5.95 g/ea
PDH110M	.126 LB/ea 56.95 g/ea

NOTES:

- SEE CURRENT CATALOG FOR ADDITIONAL PART NUMBER SUFFIXES TO INDICATE PACKAGE QUANTITY.
- PARTS INCLUDED ARE:
 PDT110M 5 PAIR MULTIPLE PUNCHDOWN TOOL (INCLUDES ALL COMPONENTS OF PDH110M)
 PDB110M REPLACEMENT CUTTING BLADE.
 PDH110M HEAD FOR IMPACT TERMINATION TOOL CUTTING BLADE AND INSERTION ASSEMBLY.
- DIMENSIONS IN [] ARE IN METRIC.
- TERMINATES CABLE ON BOTH CABLE AND CROSSCONNECT SIDES OF 110 CONNECTING BLOCKS. REVERSIBLE BLADE PROVIDES OPTION OF TERMINATING WITHOUT CUTTING WIRE. SEATS 3, 4, OR 5 PAIR CONNECTING BLOCKS ONTO 110 BASE.

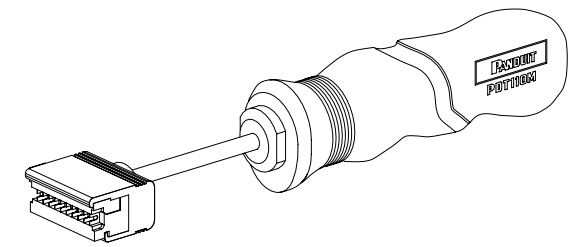


IMPACT TERMINATION TOOL
PDT110M



TERMINATION HEAD HOUSING ALUMINUM
PDH110M

CUTTING BLADE
PDB110M



PART NUMBER PDT110M, PDB110M, PDH110M	
TITLE PAN-PUNCH 110 STYLE MULTI-PAIR PUNCH DOWN TOOL	
CUSTOMER DRAWING	
ITEM REVISION NAME D35543BZ/00	PANDUIT
DATASET FILE NAME D35543BZ_DC_PDT110M/00A	
UNLESS OTHERWISE SPECIFIED, DIMENSIONAL TOLERANCES ARE: IN [mm]	
.x ± .xxx ± .010 [.3]	MATERIAL: ENGINEERING THERMOPLASTIC UL94 V-0
.xx ± .03 [.8]	ANGLES ±
THIRD ANGLE PROJECTION	
DRAWN BY BAP	DRAWING NUMBER: 35543-24
DATE 2-5-97	SHT 1 OF 1
CHK CAF	SIZE A
SCALE NONE	

REV	DATE	BY	CHK	APR	DESCRIPTION	ECN
1	5/20/14	JSP	REFR	MMR	A. REVISED DRAWING TITLE BLOCK	35543-24
R	2-5-97	BAP	CAF	CAF	RELEASED TO PRODUCTION	35543-24

D10100DA/14