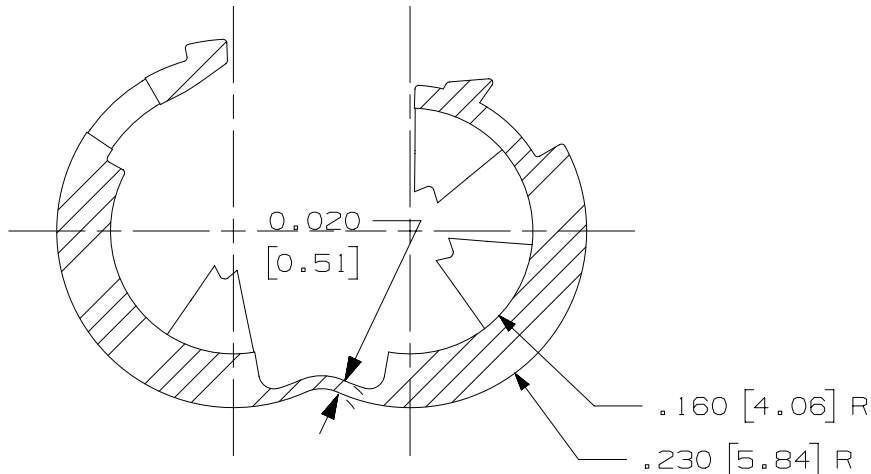
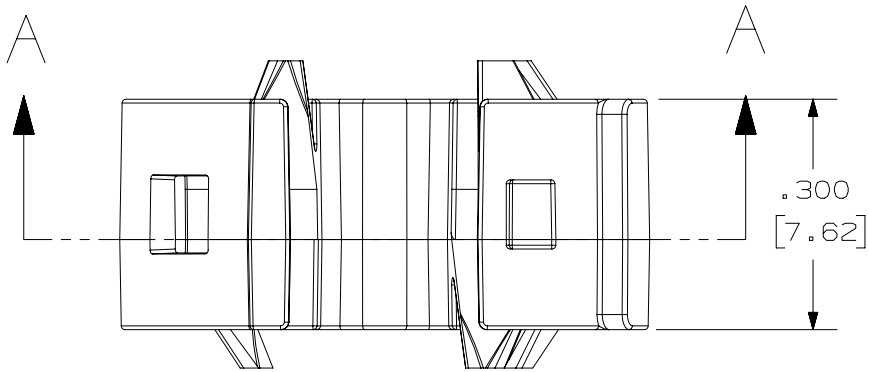


THIS COPY IS PROVIDED ON A RESTRICTED BASIS AND IS NOT TO BE USED IN ANY WAY DETRIMENTAL TO THE INTERESTS OF PANDUIT CORP.

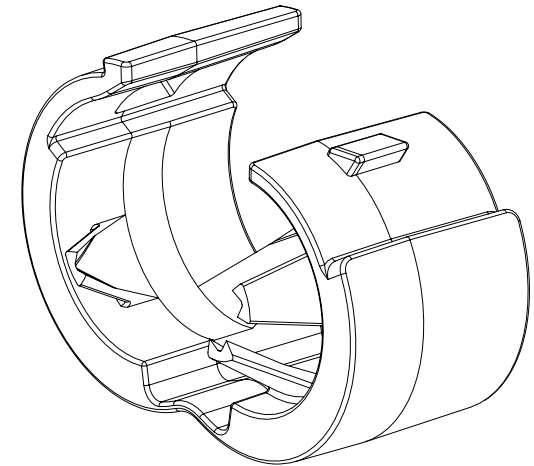


SECTION A - A PARTING LINE

PANDUIT P/N	WEIGHT
PCBAND**-Q	.0186 LB/25 PCS (8.42 g/25 PCS)

NOTE:

- SEE CURRENT CATALOG FOR ADDITIONAL PART NUMBER SUFFIXES TO INDICATE COLOR AND/OR PACKAGE QUANTITY. (\*\* DENOTES COLOR)
- SEE CATALOG FOR COMPLETE LIST OF PARTS APPLICABLE FOR USE WITH THIS PART.
- DIMENSIONS IN PARENTHESES ARE IN METRIC.
- MATERIALS: POLYPROPYLENE, COLORANT
- FOR USE WITH .188" TO .310" DIA. CABLES



PART NUMBER		PCBAND**-Q	
TITLE		PATCH CORD COLOR BAND	
		CUSTOMER DRAWING	
ITEM REVISION NAME		M03027BB/06	
DATASET FILE NAME		M03027BB_DC02/06A	
UNLESS OTHERWISE SPECIFIED, DIMENSIONAL TOLERANCES ARE: IN (mm)		MATERIAL:	
.x ± .xxx ± .010 [.3]			
.xx ± .03 [.8] ANGLES ±		DRAWING NUMBER:	
THIRD ANGLE PROJECTION		03027-02	
DRAWN BY	DATE	CHK	SCALE
BJN	5-13-08	KA	NONE
REV	DATE	BY	CHK
5	2-8-16	BJN	NAGL
4	5-27-14	JSP	REFR
APR	DESCRIPTION	ECN	SIZE
			A

REV	DATE	BY	CHK	APR	DESCRIPTION	ECN
5	2-8-16	BJN	NAGL	TMBA	PRODUCT REVISED-.020 WAS .017	03027-02
4	5-27-14	JSP	REFR	EJH	REVISED AND REDRAWN, PREVIOUS REVISIONS HAVE BEEN OMITTED.	03027-02

D10100DA/14