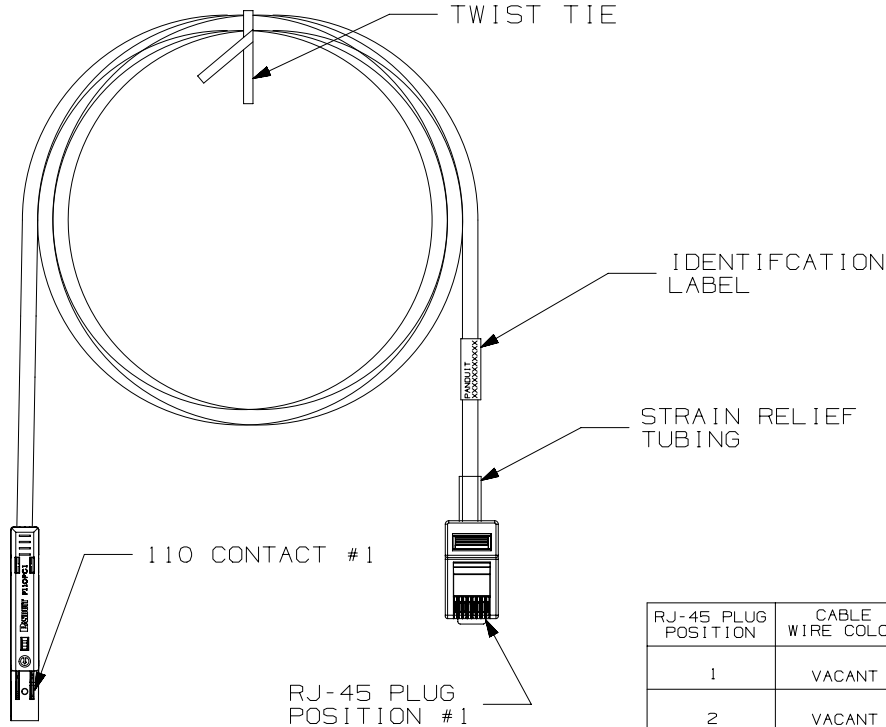


THIS COPY IS PROVIDED ON A RESTRICTED BASIS AND IS NOT TO BE USED IN ANY WAY DETRIMENTAL TO THE INTERESTS OF PANDUIT CORP.



110 CONTACT	CABLE WIRE COLOR
1	WHITE/BLUE
2	BLUE

RJ-45 PLUG POSITION	CABLE WIRE COLOR
1	VACANT
2	VACANT
3	VACANT
4	BLUE
5	WHITE/BLUE
6	VACANT
7	VACANT
8	VACANT

PANDUIT P/N	MIN. CABLE LENGTH	WEIGHT
P110PC1**DIMY	39.37" (1 METER)	.46 LB/10 PCS (209 g/10 PCS)
P110PC1**D2MY	68.74" (2 METER)	.77 LB/10 PCS (350 g/10 PCS)
P110PC1**D3MY	118.11" (3 METER)	1.11 LB/10 PCS (505 g/10 PCS)
P110PC1**D5MY	196.85" (5 METER)	1.67 LB/10 PCS (759 g/10 PCS)

NOTES:

- SEE CURRENT CATALOG FOR ADDITIONAL PART NUMBER SUFFIXES TO INDICATE PACKAGE QUANTITY.
- SEE CATALOG FOR COMPLETE LIST OF PARTS APPLICABLE FOR USE WITH THIS PART.
- 110 CONNECTOR ON ONE END AND AN RJ-45 MODULAR PLUG ON THE OTHER FOR USE IN DIGITAL APPLICATIONS.
- 110 CONNECTOR FEATURES INCLUDE A CLEAR CAP TO ENSURE PROPER CONNECTOR ORIENTATION. RETAINING CLIPS SECURE THE JACKET CLOSE TO THE POINT OF TERMINATION WHICH MINIMIZES WIRE UNTWISTING. INTEGRAL STRAIN RELIEF MINIMIZES STRESS ON WIRES DURING DISCONNECTION.
- RJ-45 PLUG FEATURES INCLUDE A TANGLE-FREE RELEASE AND ENHANCED CABLE STRAIN RELIEF.
- MATERIALS:
  - 110 CONNECTOR - PC, PHOS. BRONZE CONTACTS
  - RJ-45 PLUG - PC, PHOS. BRONZE CONTACTS
  - CABLE - STRANDED 24 AWG COPPER WITH PVC JACKET
  - STRAIN RELIEF TUBING - PVC COMPOUND
- DIMENSIONS IN PARENTHESES ARE IN METRIC.
- CABLE JACKET COLOR: GREY

PART NUMBER		P110PC1**D*MY	
TITLE		110 TO RJ45 ONE PAIR PATCH CORD	
		CUSTOMER DRAWING	
ITEM REVISION NAME		M02479KR/00	
DATASET FILE NAME		M02479KR_DC279/00B	
UNLESS OTHERWISE SPECIFIED, DIMENSIONAL TOLERANCES ARE: IN (mm)		MATERIAL:	
.x ± .xxx ± .010 (.3)		SEE NOTE 6	
.xx ± .03 (.8) ANGLES ±		DRAWING NUMBER:	
		02479-279	
DRAWN BY	DATE	CHK	SCALE
NER	3-20-06	REFR	NONE
SHT 1 OF 1		A	

REV	DATE	BY	CHK	APR	DESCRIPTION	ECN
1	5-28-14	MDJR	REFR	EJH	A. UPDATED TITLE BLOCK.	02479-279
R	3-20-06	NER			RELEASED TO PRODUCTION	02479-279

D10100DA/14

2

1

2

1