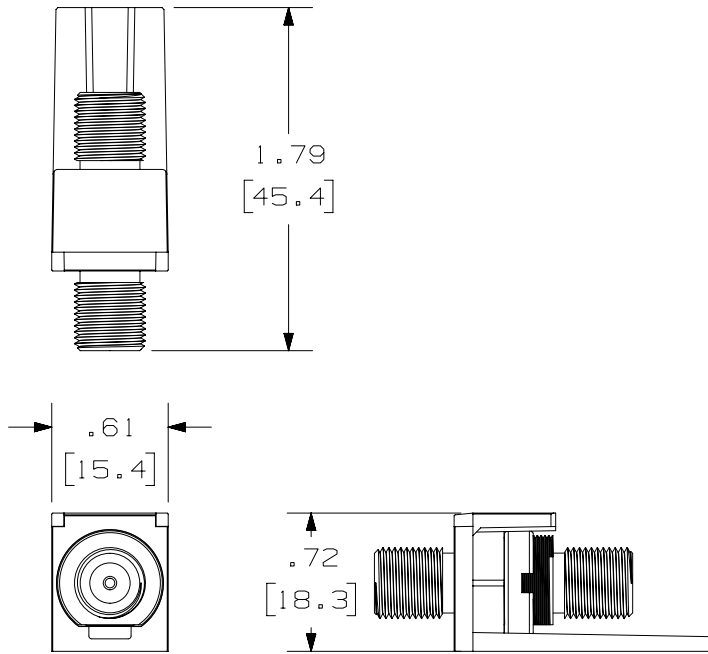


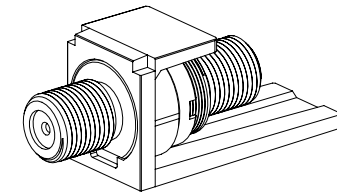
THIS COPY IS PROVIDED ON A RESTRICTED BASIS AND IS NOT TO BE USED IN ANY WAY DETRIMENTAL TO THE INTERESTS OF PANDUIT CORP.

PANDUIT P/N	WEIGHT
CMFSR**	.40 LB/10 PCS (181.3 g/10 PCS)



NOTES:

1. SEE CURRENT CATALOG FOR ADDITIONAL PART NUMBER SUFFIXES TO INDICATE COLOR AND OR PACKAGE QUANTITY.
2. SEE CATALOG FOR COMPLETE LIST OF PARTS APPLICABLE FOR USE WITH THIS PART.
3. DIMENSIONS IN PARENTHESES ARE IN METRIC.



PART NUMBER		CMFSR**	
TITLE			
MINI-COM SELF TERMINATING F-TYPE MODULE			
CUSTOMER DRAWING			
ITEM REVISION NAME		M00790AC/00	
DATASET FILE NAME		M00790AC_DC/00D	
UNLESS OTHERWISE SPECIFIED, DIMENSIONAL TOLERANCES ARE: IN (mm)		MATERIAL:	
.x ± .xxx ± .010 [.3]		COUPLER: NICKEL PLATED MODULE BASE: ABS	
.xx ± .03 [.8] ANGLES ±		DRAWING NUMBER:	
THIRD ANGLE PROJECTION		02479-180	
DRAWN BY	DATE	CHK	SCALE
JSP	8-8-06	MJD	NONE
SHT 1 OF 1			SIZE
			A

REV	DATE	BY	CHK	APR	DESCRIPTION	ECN
1	5/5/14	JSP	REFR	MMR	A. REVISED DRAWING TITLE BLOCK.	02479-180
R	6-8-06	JSP	MJD	MJD	RELEASED TO PRODUCTION	02479-180

D10100DA/14