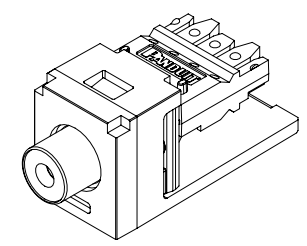
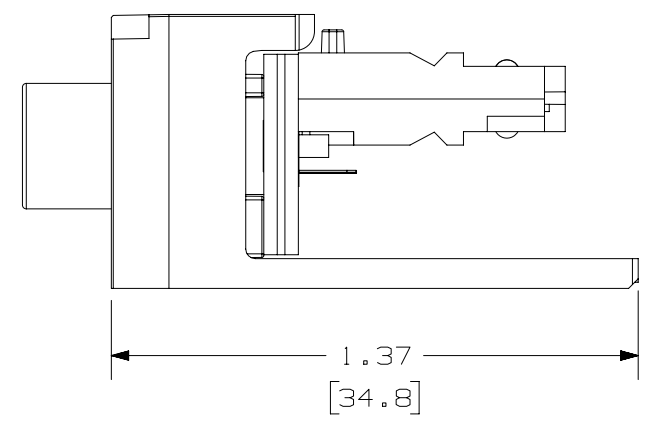
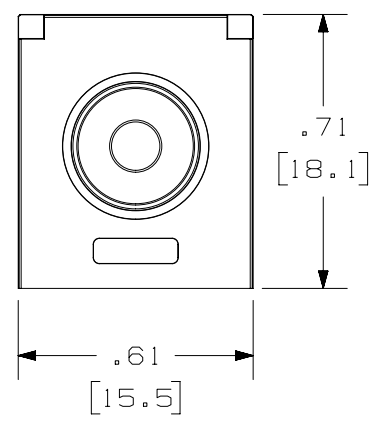


THIS COPY IS PROVIDED ON A RESTRICTED BASIS AND IS NOT TO BE USED IN ANY WAY DETRIMENTAL TO THE INTERESTS OF PANDUIT CORP.

PANDUIT P/N	WEIGHT
CJRX**	.14 LB/10 PCS (65.1g/10 PCS)

- NOTES:
1. SEE CURRENT CATALOG FOR ADDITIONAL PART NUMBER SUFFIXES TO INDICATE COLOR AND OR PACKAGE QUANTITY.
 2. SEE CATALOG FOR COMPLETE LIST OF PARTS APPLICABLE FOR USE WITH THIS PART .
 3. DIMENSIONS IN [] ARE IN METRIC.



PART NUMBER		CJRX**	
TITLE			
MINI-COM RCA PUNCHDOWN MODULE			
CUSTOMER DRAWING			
ITEM REVISION NAME		M00839AF/01	
DATASET FILE NAME		M00839AF_DC/01B	
UNLESS OTHERWISE SPECIFIED, DIMENSIONAL TOLERANCES ARE: IN [mm]		MATERIAL:	
.x ± .xxx ± .010 [.3]		ABS	
.xx ± .03 [.8]		DRAWING NUMBER:	
ANGLES ±		00839 - 19	
THIRD ANGLE PROJECTION		SHT 1 OF 1	
DRAWN BY	DATE	CHK	SCALE
TA	05-02-00	DADY	NONE
REV	DATE	BY	CHK
2	4/30/14	JSP	REFR
APR	MMR	REVISD AND REDRAWN, PREVIOUS REVISIONS HAVE BEEN OMITTED.	
DESCRIPTION	ECN	SIZE	
		A	

D10100DA/14