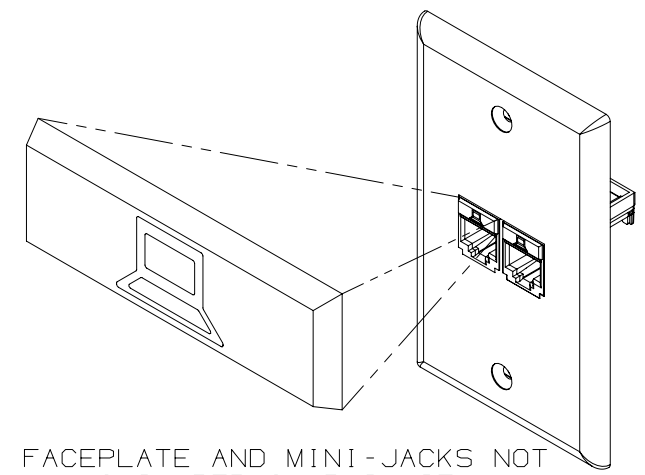
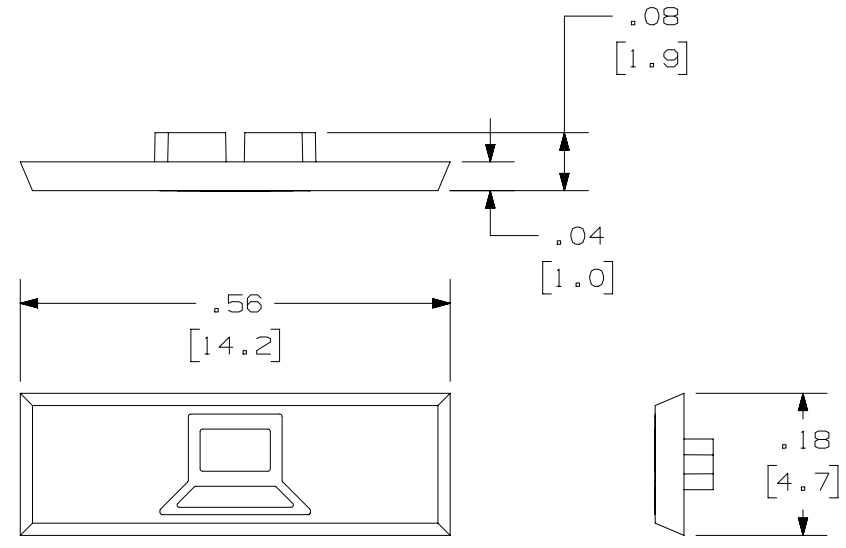


THIS COPY IS PROVIDED ON A RESTRICTED BASIS AND IS NOT TO BE USED IN ANY WAY DETRIMENTAL TO THE INTERESTS OF PANDUIT CORP.

PANDUIT P/N	WEIGHT
CID**-C	.015 LB/100 PCS (7.0 g/100 PCS)

- **NOTES:
1. SEE CURRENT CATALOG FOR ADDITIONAL PART NUMBER SUFFIXES TO INDICATE COLOR AND OR PACKAGE QUANTITY.
 2. SEE CATALOG FOR COMPLETE LIST OF PARTS APPLICABLE FOR USE WITH THIS PART.
 3. DIMENSIONS IN [] ARE IN METRIC.



PART NUMBER		CID**-C	
TITLE			
PAN-NET JACK ICON, DATA			
CUSTOMER DRAWING			
ITEM REVISION NAME		M00633CB/01	
DATASET FILE NAME		M00633CB_DC/00B	
UNLESS OTHERWISE SPECIFIED, DIMENSIONAL TOLERANCES ARE: IN [mm]		MATERIAL:	
.x ± .xxx ± .010 [.3]		ABS	
.xx ± .03 [.8]		DRAWING NUMBER:	
THIRD ANGLE PROJECTION		00633-03	
DRAWN BY	DATE	CHK	SCALE
JSP	8-25-99	MECA	NONE
SHT 1 OF 1			SIZE
			A

REV	DATE	BY	CHK	APR	DESCRIPTION	ECN
1	6/11/14	JSP	REFR	MMR	A. REVISED DRAWING TITLE BLOCK.	00633-03
R	8-25-99	JSP	MECA	CEF	RELEASED TO PRODUCTION	00633-03

D10100DA/14