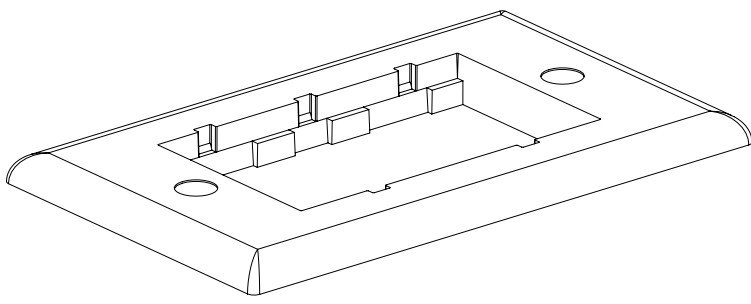
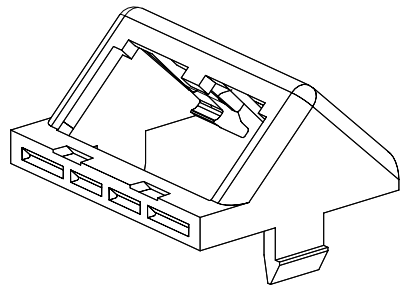


THIS COPY IS PROVIDED ON A RESTRICTED BASIS AND IS NOT TO BE USED IN ANY WAY DETRIMENTAL TO THE INTERESTS OF PANDUIT CORP.

PANDUIT P/N	WEIGHT
CFPS4**	.07 LB/1 PCS (32 g/1 PCS)



P/N: CB**
REFERENCE CUSTOMER DRAWING
00057-02 FOR DIMENSIONS



P/N: CHS2**
REFERENCE CUSTOMER DRAWING
35544-05 FOR DIMENSIONS

NOTES:

1. SEE CURRENT CATALOG FOR ADDITIONAL PART NUMBER SUFFIXES TO INDICATE COLOR AND OR PACKAGE QUANTITY.
2. SEE CATALOG FOR COMPLETE LIST OF PARTS APPLICABLE FOR USE WITH THESE PARTS.
3. PART INCLUDES:
2- CHS2**
1- CB**
2- MOUNTING SCREW

PART NUMBER		CFPS4**	
TITLE			
MINI-COM 4 POSITION SLOPED CLASSIC SERIES		FACEPLATE KIT	
CUSTOMER DRAWING			
ITEM REVISION NAME		M00142BF/00	
DATASET FILE NAME		M00142BF_DC/00C	
UNLESS OTHERWISE SPECIFIED, DIMENSIONAL TOLERANCES ARE: IN (mm)		MATERIAL:	
.x ± .xxx ± .010 (.3)		ABS	
.xx ± .03 (.8)		DRAWING NUMBER:	
ANGLES ±		00142-05	
THIRD ANGLE PROJECTION		SHT 1 OF 1	
DRAWN BY	DATE	CHK	SCALE
JBA	12-12-97	FJD	NONE
REV	DATE	BY	CHK
2	4/15/14	JSP	REFR
APR	DESCRIPTION		ECN
MMR	REVISED AND REDRAWN; PREVIOUS REVISIONS HAVE BEEN OMITTED.		00142-05

D10100DA/14