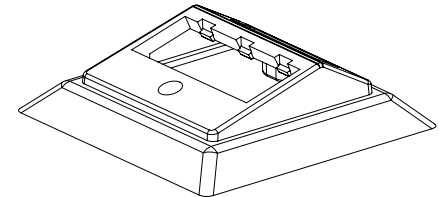
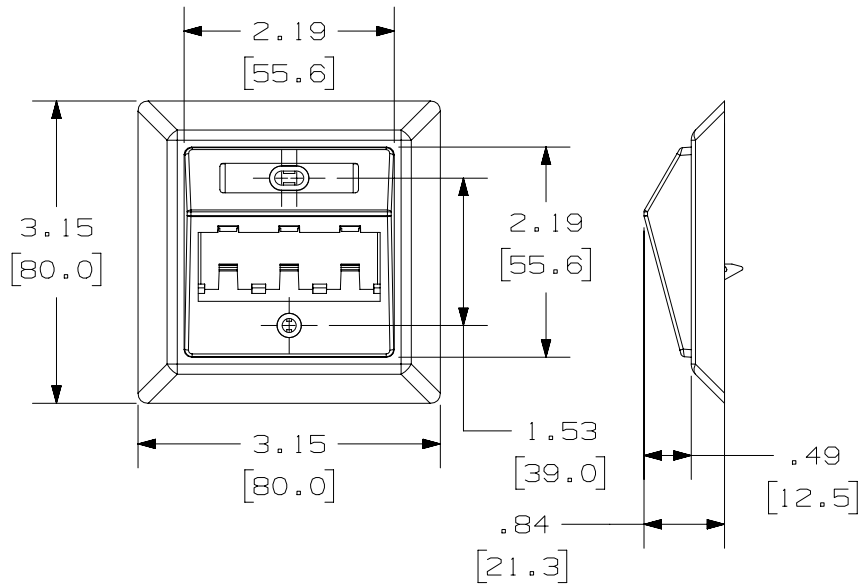


THIS COPY IS PROVIDED ON A RESTRICTED BASIS AND IS NOT TO BE USED IN ANY WAY DETRIMENTAL TO THE INTERESTS OF PANDUIT CORP.

PANDUIT P/N	WEIGHT
CFPE3**	1.00 LB/10 PCS. (453.6 g/10 PCS.)

NOTES:

- ** 1. SEE CURRENT CATALOG FOR ADDITIONAL PART NUMBER SUFFIXES TO INDICATE COLOR AND OR PACKAGE QUANTITY.
2. SEE CATALOG FOR COMPLETE LIST OF PARTS APPLICABLE FOR USE WITH THIS PART.
3. DIMENSIONS IN [] ARE IN METRIC.
4. KIT INCLUDES:
 - 1- METAL MOUNTING PLATE
 - 1- SCREW KIT
 - 1- LABEL/COVER
 - 1- 80X80 BEZEL
 - 1- 3 POSITION SLOPED FACEPLATE



PART NUMBER		CFPE3**	
TITLE		MINI-COM 3 POSITION 80MM X 80MM SLOPED FACEPLATE KIT	
		CUSTOMER DRAWING	
ITEM REVISION NAME		M00142BW/00	
DATASET FILE NAME		M00142BW_DC/00B	
UNLESS OTHERWISE SPECIFIED, DIMENSIONAL TOLERANCES ARE: IN [mm]		MATERIAL:	
.x ± .xxx ± .010 [.3]		BEZEL- ABS	
.xx ± .03 [.8]		FACEPLATE- ABS	
ANGLES ±		MOUNTING PLATE- CRS	
THIRD ANGLE PROJECTION		DRAWING NUMBER:	
00142-24		00142-24	
DRAWN BY	DATE	CHK	SCALE
JSP	9-30-99	MJD	NONE
SHT 1 OF 1		SIZE	
A		A	

REV	DATE	BY	CHK	APR	DESCRIPTION	ECN
1	4/2/14	JSP	REFR	MMR	A. REVISED DRAWING TITLE BLOCK.	00142-24
R	9-30-99	JSP	MJD	MJD	RELEASED TO PRODUCTION	00142-24

D10100DA/14